

MhouseKit WS2



English

For the automation of swing gates.



Installation instructions and warnings

Information

This manual may be reproduced provided no part of it is omitted or modified. No part of this manual may be translated into other languages without the prior authorisation and subsequent examination by MHOUSE.

MHOUSE disclaims responsibility for any damage resulting from the improper use of the products; you are therefore invited to read this manual carefully.

MHOUSE, in order to improve its products, reserves the right to modify their technical characteristics at any time without prior notice. In any case, the manufacturer guarantees their functionality and fitness for the intended purposes.

For any information please contact:



MHOUSE S.r.l.
via Pezza Alta, 13, ZI 31046 Oderzo
Tel: 0422 202109
Fax: 0422 852582
email: info@mhouse.biz
http: www.mhouse.biz

Contents

1 Warnings	3	4 Maintenance	17
2 Product description	4	4.1 Dismantling and Disposal	17
2.1 Applications	4	5 Additional information	18
2.2 Description of the automation	4	5.1 Advanced Adjustments	18
2.3 Description of devices	5	5.1.1 Adjusting the Parameters with the Radio Transmitter	18
2.3.1 Electromechanical Gearmotors with WS1-WS1C curved Arms	5	5.1.2 Checking the Adjustments with the Radio Transmitter	19
2.3.2 Release keys	6	5.2 Optional Accessories	19
2.3.3 Photocells PH1	6	5.3 Adding or Removing Devices	19
2.3.4 KS1 Key-operated Selector Switch	6	5.3.1 ECSBus	19
2.3.5 FL1 Flashing Light with Incorporated Aerial	6	5.3.2 STOP Input	19
2.3.6 TX4 Radio Transmitters	6	5.3.3 Recognition of other devices	20
3 Installation	7	5.3.4 Addition of Optional Photocells	20
3.1 Preliminary checks	7	5.4 Memorization of Radio Transmitters	21
3.1.1 Operating limits	8	5.4.1 Mode 1 Memorization	21
3.1.2 Tools and Materials	8	5.4.2 Mode 2 Memorization	21
3.1.3 List of cables	8	5.4.3 "Remote" Memorization	21
3.2 Preparing the Electrical System	9	5.4.4 Deleting a Radio Transmitter	22
3.2.1 Connection to the Electrical Mains	9	5.4.5 Deleting all the Radio Transmitters	22
3.3 Installation of the Various Devices	9	5.5 Troubleshooting	22
3.3.1 WS1 and WS1C gearmotor mounting	9	5.6 Diagnostics and Signals	23
3.3.2 Photocells	11	5.6.1 Photocells	23
3.3.3 KS1 Key-Operated Selector Switch	11	5.6.2 Flashing light	23
3.3.4 Flashing light FL1	12	5.6.3 Control unit	24
3.3.5 Electrical connections to the WS1C control unit	13	6 Technical characteristics	25
3.4 Power Supply Connection	14	7 Annexes	27
3.5 Preliminary checks	14	7.1 Annexe 1: CE Declaration of Conformity of WS2 Components	29
3.5.1 Recognition of connected devices	15	7.2 Annexe 2: CE Declaration of Conformity of Power Operated Gate	31
3.5.2 Recognition of Gate Leaves' Opening and Closing Angles	15	7.3 Annexe 3: Operating Guide	33
3.5.3 Checking the Radio Transmitters	15	7.3 Annexes 3: Operating guide	27
3.6 Regulations	16	7.3.1 Safety regulations	33
3.6.1 Selecting the Speed of the Leaf	16	7.3.2 Gate Control	33
3.6.2 Selecting the Type of Operating Cycle	16	7.3.3 Maintenance Operations to Be Performed by the User	34
3.7 Testing and commissioning	16	7.3.4 Replacing the Remote Control Battery	34
3.7.1 Testing	16		
3.7.2 Commissioning	17		

1 Warnings

- If this is the first time that you install a WS2 gate automation system we recommend that you dedicate some of your time to reading this manual. You should read it before you start installing the system, so you don't have to rush to finish the work.
- Keep all the components of the WS2 system handy so that you can read, check and verify all the information contained in this manual. However, do not carry out the adjustment and memorization stages otherwise, during the actual installation of the products, you will have to deal with settings that differ from the original factory ones.
- When reading this manual, pay special attention to the sections marked by the following symbol:



these sections are particularly important for safety.

- Store this manual safely for future use.
- This manual, as well as the design and manufacture of the devices that make up WS2, comply fully with the standards and regulations in force
- Considering the hazards that may exist during the installation and operation of WS2, it is necessary that also the installation be carried out in strict compliance with current legislation, standards and regulations, particularly:
 - **This manual contains important information regarding personal safety; before you start installing the components, it is important that you read and understand all the information contained herein. Do not proceed with the installation if you have doubts of any sort; if necessary, refer to the MHOUSE customer service department for clarifications.**
 - **Before you start with the installation, make sure that each single WS2 device is suitable for the intended automation purposes; pay special attention to the data provided in chapter 6 "Technical Characteristics". If even a single device is not suitable for the intended application, do not proceed with the installation.**
 - **Before you start with the installation, check whether additional devices or materials are needed to complete the automation with WS2 based on the specific application requirements.**
 - **The WS2 automation system must not be used until the automation has been commissioned as described in paragraph 3.7.2 "Commissioning".**
- **The WS2 automation system cannot be considered as a suitable intrusion protection system. If you require efficient protection you need to integrate WS2 with other devices.**
- **The packing materials of WS2 must be disposed of in compliance with local regulations.**
- **Do not make modifications to any components unless provided for in this manual. This type of operations will only cause malfunctions. MHOUSE disclaims any liability for damage resulting from modified products.**
- **Components must never be immersed in water or other liquids. During installation, ensure that no liquids leak into the gearmotor and other open devices.**
- **In the event that liquid substances have penetrated inside the automation devices, immediately disconnect the power supply and contact the MHOUSE customer service department. The use of WS2 in these conditions can be dangerous.**
- **Keep all components of WS2 away from heat sources and open flames; these could damage the components and cause malfunctions, fire or dangerous situations.**
- **During long periods of inactivity, the optional battery (PR1) should be removed and stored in a dry location to prevent leakage of noxious substances.**
- **Connect the gearmotor only to a power supply line equipped with safety grounding system.**
- **All operations requiring the opening of the protection shell of any WS2 device must be performed with the control unit disconnected from the power supply (and from the PR1 buffer battery, if featured); if the disconnection device is not identifiable, post the following sign on it: "WARNING: MAINTENANCE WORK IN PROGRESS".**
- **In the event that any automatic switches are tripped or fuses blown, you must identify the fault and eliminate it before resetting the switches or replacing fuses.**
- **If a fault occurs that cannot be solved using the information provided in this manual, refer to the MHOUSE customer service department.**

2 Product description

2.1 Applications

WS2 is a set of components designed for the automation of single-leaf or double-leaf gates in residential applications.

Any applications other than those described above or under different conditions from those specified in this manual are forbidden.

WS2 operates with electric power. In the event of a power failure, the gearmotor can be released using suitable keys in order to move the gate manually. Alternatively, the PR1 buffer battery (optional accessory) can be used.

2.2 Description of the automation

The following example of a typical WS2 application will serve to clarify a few terms and aspects of a gate automation system:

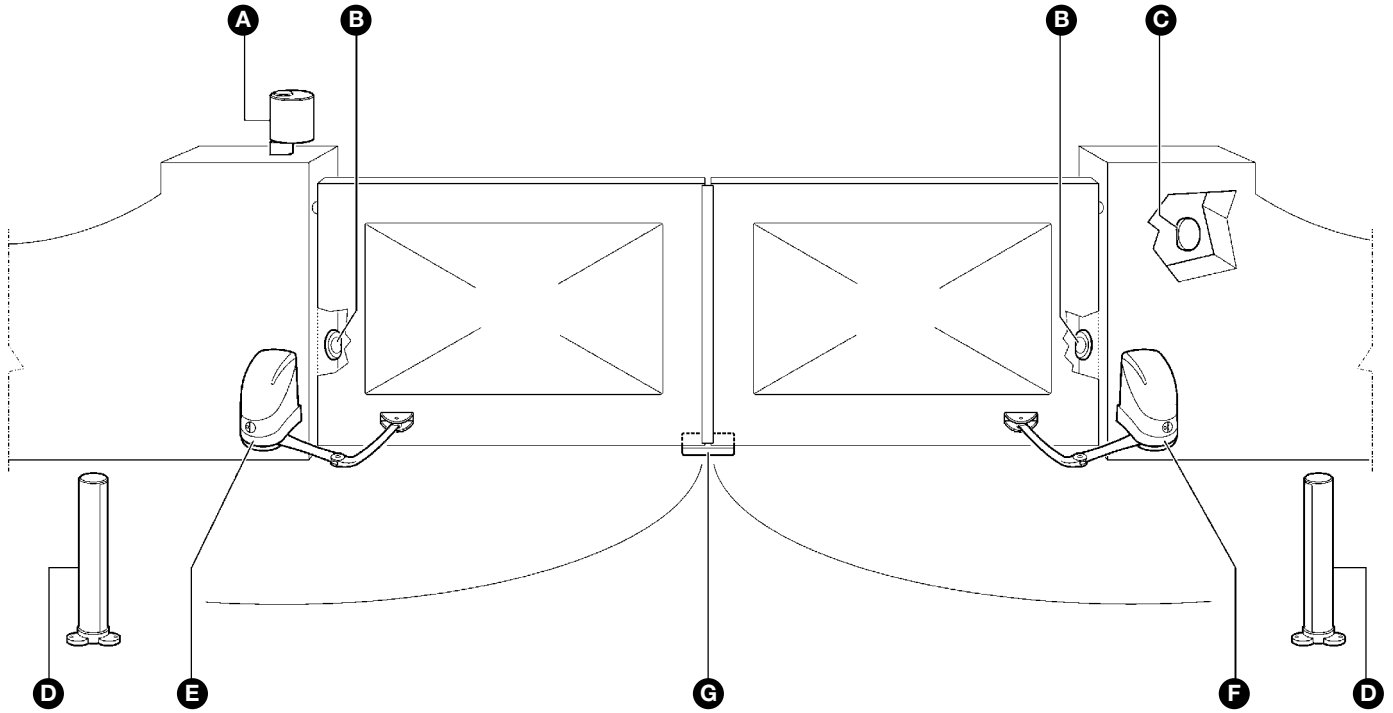


Figure 1

A) FL1 flashing light with integrated aerial

B) Pair of PH1 photocells.

C) KS1 key-operated selector switch

D) Pair of posts for PT50 photocells (not included)

E) WS1C Gearmotor equipped with integrated command unit

F) WS1 Gearmotor

G) Closing stop (not included)

2.3 Description of devices

WS2 consists of the devices shown in figure 2; make immediately sure that they correspond to the contents of the package and verify the integrity of the devices.

Note: to adapt WS2 to local regulations, the contents of the package may vary; an exact list of the contents is shown on the outside of the package under the "Mhousekit WS2 contains" heading.

- A)** 1 WS1C Gearmotor with incorporated control unit
- B)** 1 WS1 Gearmotor
- C)** 2 Gearmotor mounting plates
- D)** 3 Release keys.
- E)** 1 Pair of PH1 photocells (consisting of a TX and an RX).
- F)** 2 Covers.
- G)** 2 TX4 radio transmitters.
- H)** 1 KS2 key-operated selector switch and two keys
- I)** Mounting brackets and anti-shear curved arms (*)
- J)** 2 Mechanical stops.
- K)** 1 FL1 flashing light with incorporated aerial.
- L)** Miscellaneous small parts: screws, screw anchors, etc., see tables 1,2, 3, and 4 (*)

(*) the screws needed to secure the motor mounting plate and the brackets of the arms to the gate are not supplied because their type depends on the material and thickness of the gate.

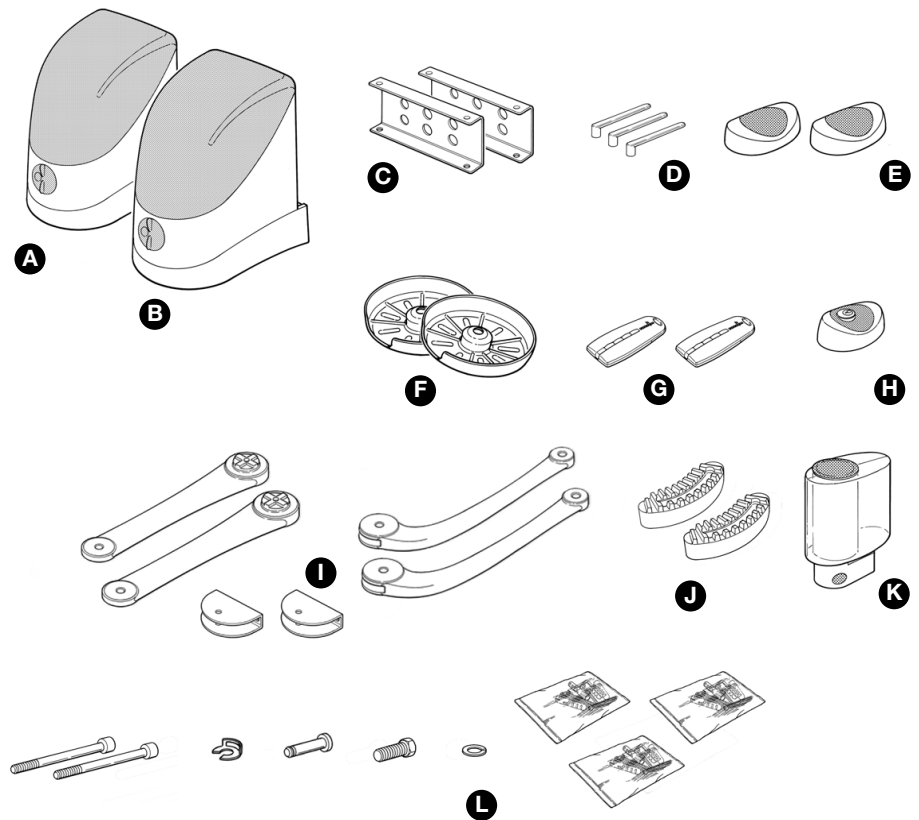


Figure 2

2.3.1 Electromechanical Gearmotors with WS1-WS1C curved Arms

WS1C and WS1 are electromechanical gearmotor consisting of a helical teeth reduction gear and a 24V direct current motor. It features a key-operated mechanical release mechanism that allows you to move the gate manually in the event of a power failure. The gearmotors can be mounted at the side of the gate using the special mounting brackets. The curved arm and the related mounting bracket enable the connection between the gearmotor and the gate leaf.

WS1C is complete with a unit that controls the gearmotors and power supply to the various components; it comprises an electronic card with incorporated radio receiver.

WS1C is also fitted with a compartment for the PR1 buffer battery (optional) required for operation in the event of a power failure. The control unit can activate the gearmotors at two speeds: "slow" or "fast".

To facilitate the electrical connections there are separate terminals for each device, which are removable and colour-coded based on the function performed. Next to each input terminal there is a LED that signals its status. The connection to the power supply is very easy: just insert the plug in a power outlet.

WS1 does not have a control unit and must be connected to the relative terminals of the WS1C control unit.

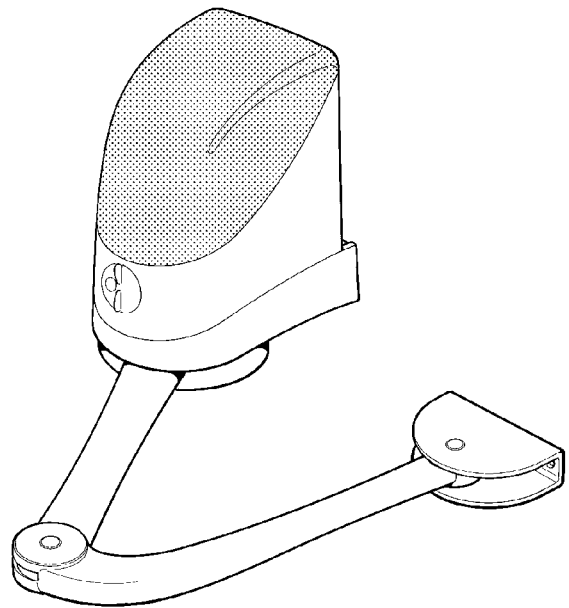


Figure 3

Table 1: List of small parts for two WS1/WS1C	Q.ty
8x30 hex-head screws	2 pcs.
6x80 cylindrical hex countersunk screw	4 pcs.
6x20 cylindrical hex countersunk screw	2 pcs.
8 mm dia. grower washers	2 pcs.
pins	4 pcs.
safety rings	4 pcs.

2.3.2 Release keys

The three keys enable the gearmotor to be released in the event of a power failure.

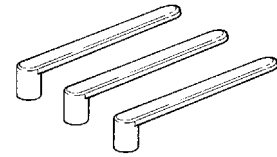


Figure 4

2.3.3 Photocells PH1

The pair of PH1 wall-mounted photocells, once they are connected to the control unit, enable the detection of obstacles found on the optical axis between the transmitter (TX) and the receiver (RX).

Table 2: List of small parts for PH1

	Q.ty
HI LO 4X9,5screw	4 pcs.
3.5X25 self-tapping screw	4 pcs.
s 5 c nylon screw anchor	4 pcs.

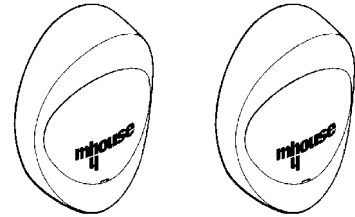


Figure 5

2.3.4 KS1 Key-operated Selector Switch

The KS1 key-operated two-position selector switch enables gate control without using the radio transmitter. It is equipped with internal light for locating in the dark.

There are two commands, which depend on the direction of rotation of the key "OPEN" and "STOP", then the key, which is spring loaded, returns to the centre position.

Table 3: List of small parts for KS1

	Q.ty
HI LO 4X9,5 screw	2 pcs.
3.5X25 self-tapping screw	4 pcs.
s 5 c nylon screw anchor	4 pcs.

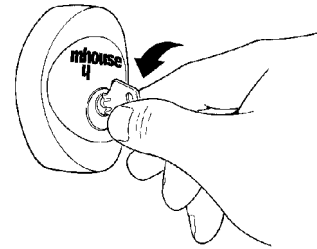


Figure 6

2.3.5 FL1 Flashing Light with Incorporated Aerial

The flashing light is controlled by the control unit and signals danger when the gate is moving. Inside the flashing light there is also the aerial for the radio receiver.

Table 4: List of small parts for FL1

	Q.ty
4,2X32 self-tapping screw	4 pcs.
s 6 c nylon screw anchor	4 pcs.

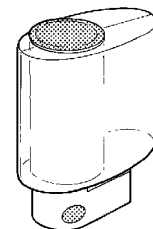


Figure 7

2.3.6 TX4 Radio Transmitters

The radio transmitters are used for the remote control of the gate opening and closing manoeuvres. They feature four buttons that can all be used for the 4 types of command to a single automation unit, or to control up to 4 different automation units.

The transmission of the command is confirmed by the LED [A]; an eyelet [B] allows them to be hung on a keyring.

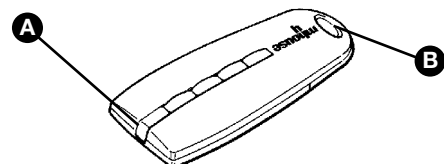


Figure 8

3 Installation

The installation must be carried out by qualified and skilled personnel in compliance with the directions provided in this chapter 1 "WARNINGS".



3.1 Preliminary checks

WS2 must not be used to power a gate that is not efficient and safe. It cannot solve defects resulting from incorrect installation or poor maintenance of the gate.

Before proceeding with the installation you must:

- Make sure that the weight and dimensions of the gate fall within the specified operating limits (see paragraph 3.1.1). If they do not, WS2 cannot be used.
- Make sure that the structure of the gate is suitable for automation and in compliance with regulations in force.
- Make sure that there are no points of greater friction in the opening or closing travel of the gate leaves.
- Check sturdiness of the mechanical stops on closing and opening (if fitted), and that there is no risk of the deformation even when the leaf hits the mechanical stop violently.
- Make sure that the gate is well balanced: it must not move by itself when it is placed in any position.
- Make sure that the area where the gearmotor is fixed is not subject to flooding. If necessary, mount the gearmotor raised from the ground.
- Make sure that the location where the gearmotor is installed is compatible with the overall dimensions of the gearmotor and that it allows the release manoeuvre to be carried out easily and safely.
- Make sure that the mounting positions of the various devices are protected from impacts and that the mounting surfaces are sufficiently sturdy.
- Make sure that the mounting surfaces of the photocells are flat and that they enable the proper alignment between TX and RX
- Check the size limits referring to figure 9.

- Check that there is enough space for the arm to rotate

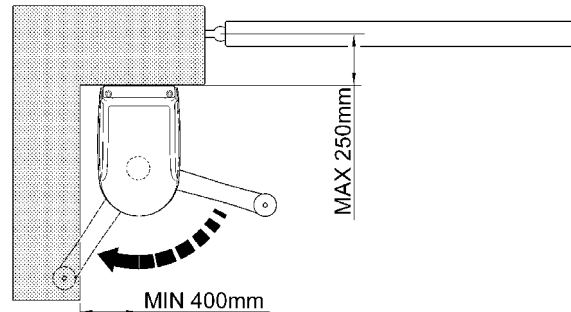


Figure 10

- Using the leaf opening angle as a guideline, check that the values in Table 5 can be met.

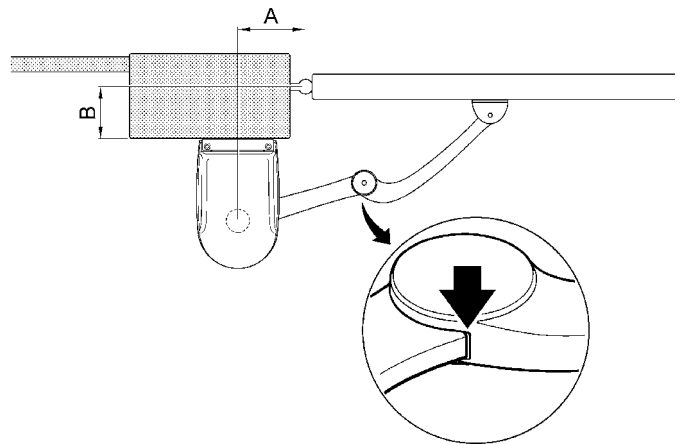
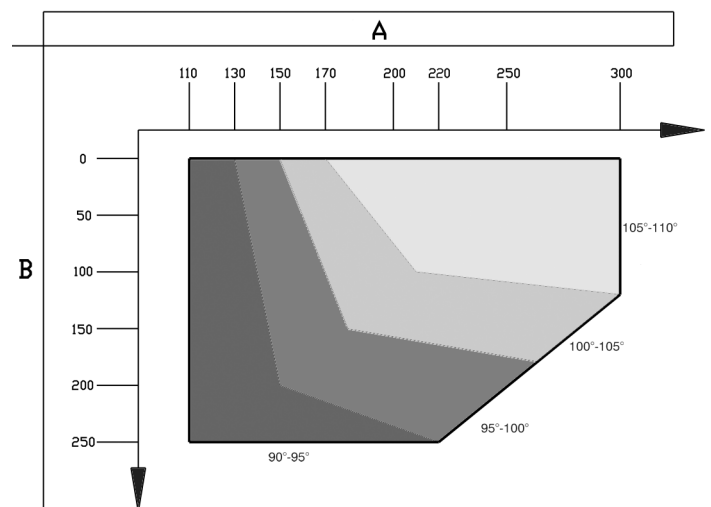


Figure 11

Table 5



1. "B" is a value that can be easily measured on the gate.
2. Use the value of "B" and the leaf opening angle in the table to calculate the value of "A". E. g.: if "B" equals 100 mm and you require an opening angle of 100°, "A" should be about 180 mm.

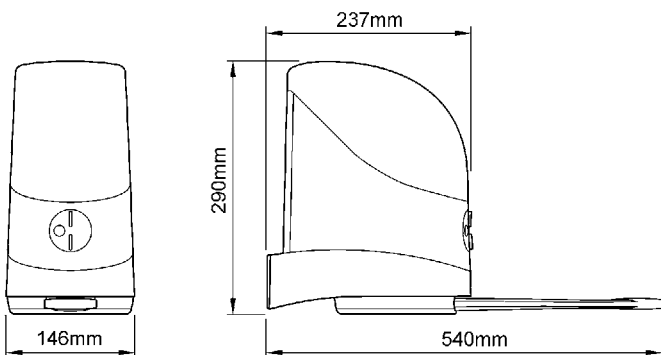


Figure 9

3.1.1 Operating limits

Chapter 6 “Technical Characteristics” provides the fundamental data needed to determine whether all the WS2 components are suitable for the intended application.

In general, WS2 is suitable for the automation of gates featuring leaves up to 1.8 m wide, weighing up to 200 kg, with opening angle of up to

110° for residential applications. The shape of the gate and the climatic conditions (e.g. presence of strong wind) may reduce these maximum limits. In this case it is necessary to measure the torque needed to move the leaves under the worst conditions, and to compare it to the data provided in the technical characteristics chart for the WS1 and WS1C gear-motors.

3.1.2 Tools and Materials

Make sure you have all the tools and materials needed to install the system; make sure that they are in good condition and serviceable according to current safety standards. See examples in figure 12.

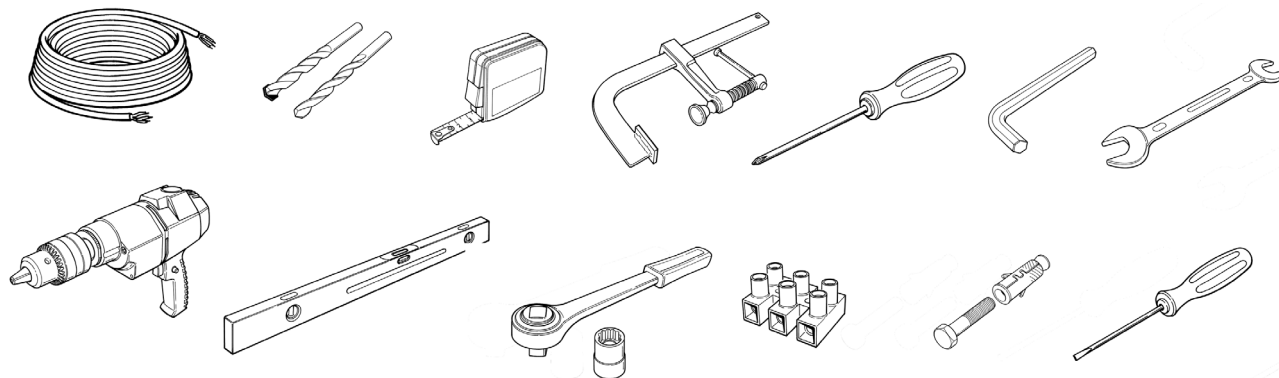


Figure 12

3.1.3 List of cables

The cables required for the installation of WS2 may vary depending on the type and quantity of devices to be installed; figure 13 shows the cables needed for a typical installation; no cable is supplied with WS2.

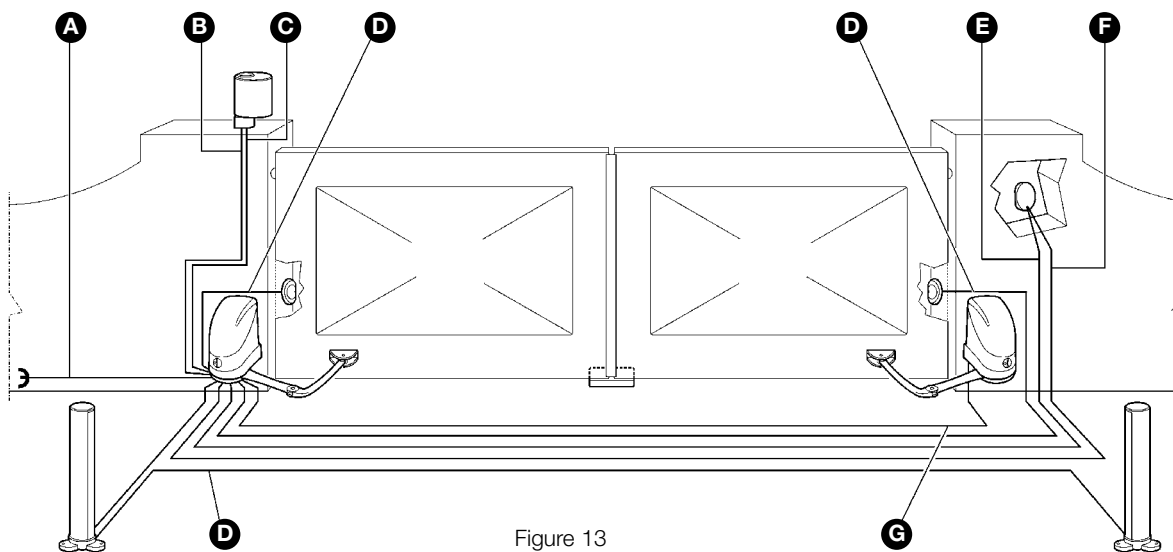


Figure 13

Table 6: list of cables

Connection	Cable type (minimum section values)	Maximum length allowed
[A] Power supply line	3x1.5mm ² cable	30m (note1)
[B] FLASH Light Output	2x0.5mm ² cable	20m
[C] Radio Aerial	RG58 type shielded cable	20m (recommended less than 5m)
[D] ECSBus input/output	2x0.5mm ² cable	20m (note2)
[E] STOP Input	2x0.5mm ² cable	20m (note2)
[F] OPEN Input	2x0.5mm ² cable	20m (note2)
[G] M1 motors output	3x1 mm ² cable	10m

WARNING: The cables used must be suitable for the type of installation; for example, an H03VV-F type cable is recommended for indoor applications, while H07RN-F is suitable for outdoor applications.

Note 1 A power supply cable longer than 30 m may be used provided it has a larger gauge, e.g. 3x2.5mm², and that a safety grounding system is provided near the automation unit.

Note 2 For the ECSbus cables; there are no special contraindications to the use of a single cable that groups together multiple connections; for example, the STOP and OPEN inputs can be connected to the KS1 selector switch using a single 4x0,5mm² cable.

3.2 Preparing the Electrical System

With the exception of the power line that supplies the control unit, the rest of the system uses extra-low voltage (approx. 24V); the wiring can therefore be done by personnel that is not properly qualified, provided that all the instructions in this manual are carefully observed.

After selecting the position of the various devices (refer to figure 1) you

can start preparing the conduits for the electrical cables connecting the devices to the control unit.

The conduits are designed to protect the electrical cables and prevent accidental breakage, which may be caused by the passage of vehicles, for instance.

3.2.1 Connection to the Electrical Mains

Although the connection of WS1C to the mains power line is not dealt with in this manual, note that:

- **The power supply line must be laid and connected by a qualified professional electrician**
- **Alternatively, have a suitably protected 16A “shuko” outlet installed, where you can plug in WS1C.**

- **The power supply line must be protected from short circuits and ground leakage; a device must be provided to enable the disconnection of the power supply during the installation and maintenance of WS2 (the plug with outlet are suitable for this purpose).**

3.3 Installation of the Various Devices

3.3.1 WS1 and WS1C gearmotor mounting

- 1 Choose the mounting position in accordance with the specifications in paragraph 3.1 “Preliminary Checks”.
- 2 Check that the mounting surface is perfectly smooth, vertical and sufficiently compact. WS2 does not come with a mounting system, consequently one will have to be chosen according to the surface material.
- 3 As other devices are also connected to the WS1C gearmotor, take care that one or more lines of suitable dimensions are laid to ensure correct routing of all cables.

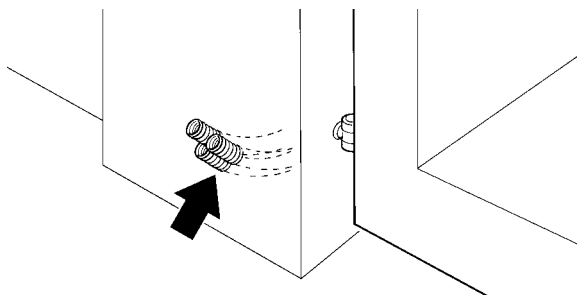


Figure 14

- 4 Using the value of “B” taken from Table 5, place the mounting plate of the gearmotor on the mounting surface in the required position. Check that there is a suitable surface at the values in Figure 11, i.e. where the bracket of the arm is mounted.
- 5 Mark the drilling points using the plate as a template and then drill the holes in the surface so that 4 anchors can be installed. The anchors (not supplied) should be at least 8 mm. Secure the plate with screws [A] and washers [B].

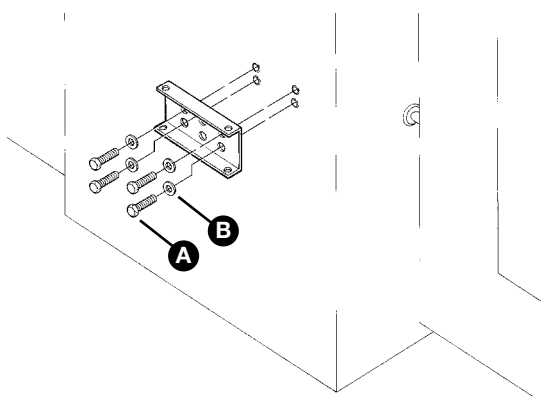


Figure 15

- 6 Check that the plate is perfectly level.

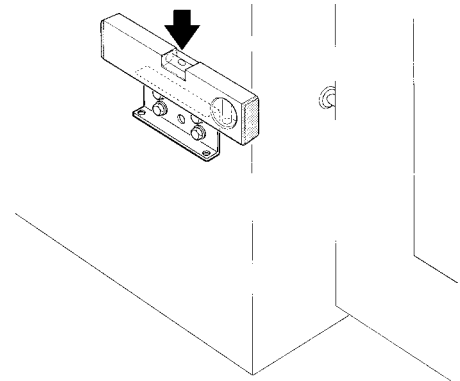


Figure 16

Otherwise the arm outside the axis will cause a gate malfunction.

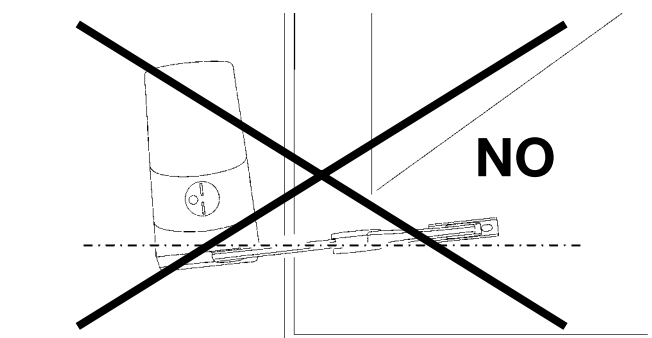


Figure 17

- 7 Set up the gearmotor by fitting the arm [C] with the washer [D], then fasten the screw tightly [E]. Take care to place the arm towards the front section.

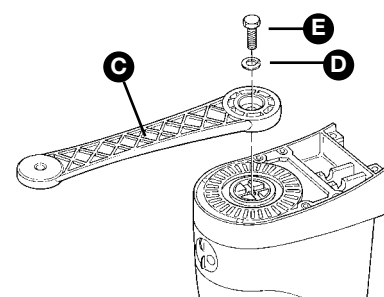


Figure 18

- 8 Fasten the gearmotor to the plate with the screws [F] and the self-locking nuts [G].

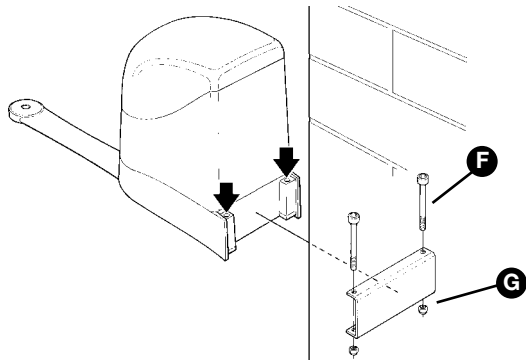


Figure 19

- 9 Using the pins supplied [H], and the corresponding safety rings [I], fasten the bent arm to the straight arm, and the leaf mounting bracket to the bent arm.

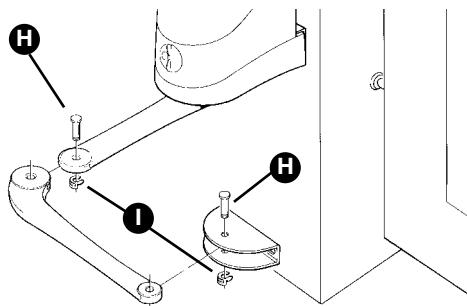


Figure 20

- 10 Swing the leaf to the "gate closed" position.

- 11 Release the gearmotor using the appropriate release wrench (see the "Gearmotor Release" paragraph on page 34) and fasten the leaf mounting bracket to the gate as far away as possible from the post, extending the arms to their maximum reach (Fig. 11).

- 12 Secure the bracket using screws suited to the material of which the gate is constructed.

- 13 Swing the leaf to the "gate open" required position. Then place the limit stop up against straight arm [L] and tighten the two screws [M] fully down.

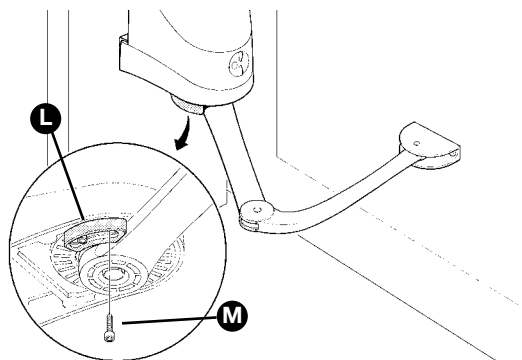


Figure 21

- 14 Loosen screw [N] securing the straight arm to the gearmotor and insert protection cover [O] between the straight arm and washer [P]. Tighten the screw fully down.

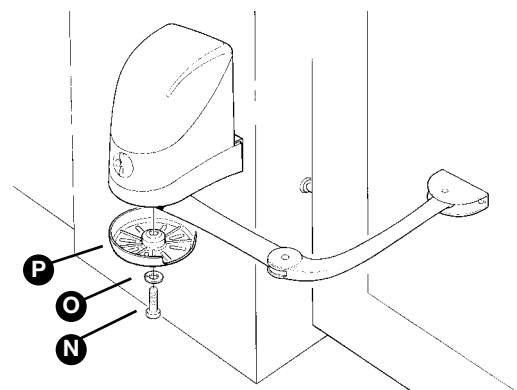


Figure 22

- 15 Release the gearmotor.

- 16 Remove the upper cover of the gearmotor by pushing with a screwdriver the closing hook applied in the release ring nut and then pulling it up.

- 17 Thread the electrical cable through the conduit and bring it to the control unit of WS1C then make the electrical connections as follows:

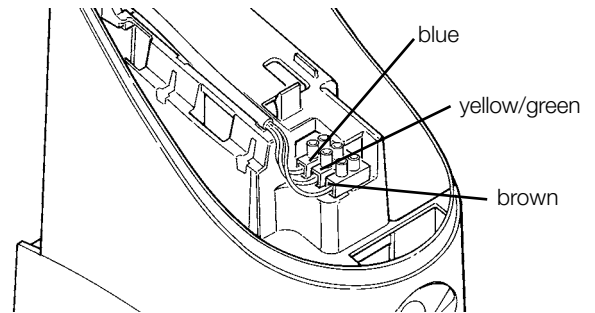


Figure 23

On completion close the cover of gearmotor WS1 inserting it from above and clicking the front retainer tab into position.

3.3.2 Photocells

1 Select the position of the two photocell elements (TX and RX) according to the following instructions:

- Position them at a height of 40-60 cm from the ground, on both sides of the area to be protected, on the street side of the installation and as close as possible to the edge of the gate, no further than 15 cm.
- Point transmitter TX towards receiver RX, with a maximum tolerance of 5°.
- In the selected locations there must be a conduit for threading the cables.

2 Remove the front glass [A] by prising it out with a slotted tip screwdriver applied to the bottom.

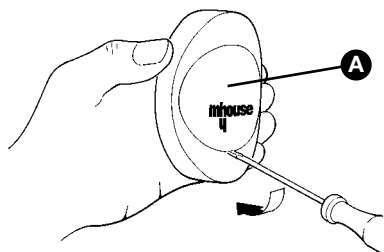


Figure 26

3 Press the lens in order to separate the two shells.

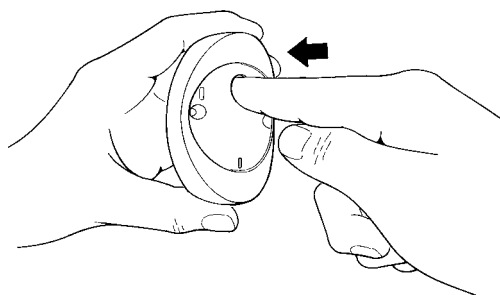


Figure 27

4 Breach two of the four holes [B] at the bottom with a screwdriver.

5 Position the photocell at the point where the conduit arrives; the hole at the bottom [D] should match the point where the cables come out of the wall; mark the drilling points using the bottom as reference

6 Drill the holes in the wall using a hammer drill with a 5 mm bit and insert the 5 mm screw anchors.

7 Secure the bottom with the screw [C].

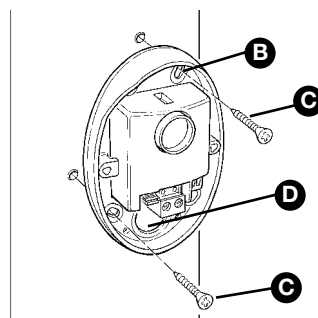


Figure 28

8 Connect the electric cable to the appropriate TX and RX terminals. From an electrical viewpoint, TX and RX must be connected in parallel as shown in figure 28. It is not necessary to observe any polarity. The terminals can be removed in order to facilitate the operations; make the connections and then reinsert them.

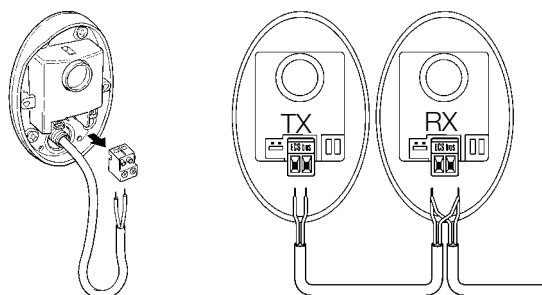


Figure 29

9 Secure the cover shell [E] using the two screws [F] and a Phillips screwdriver. Then insert the glass [G], pressing it gently to close it.

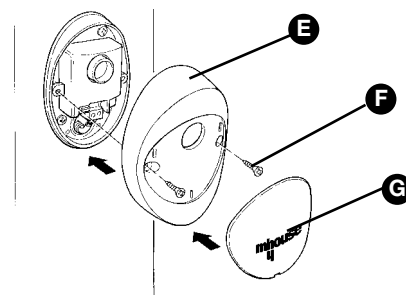


Figure 30

3.3.3 KS1 Key-Operated Selector Switch

1 Determine the position of the selector switch; it must be installed externally, alongside the gate and at a height of approx. 80 cm, so that it can be used by people of different height.

2 Remove the front glass [A] by prising it out with a slotted tip screwdriver applied to the bottom.

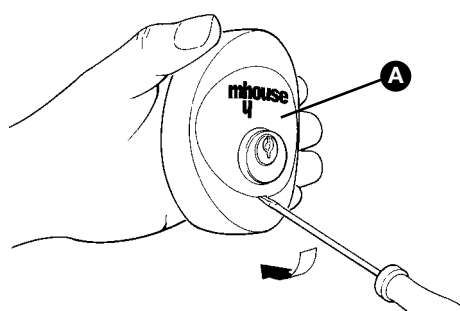


Figure 31

3 To separate the bottom from the shell you need to insert the key and keep it turned, then pull with a finger inserted in the hole for the passage of the cables.

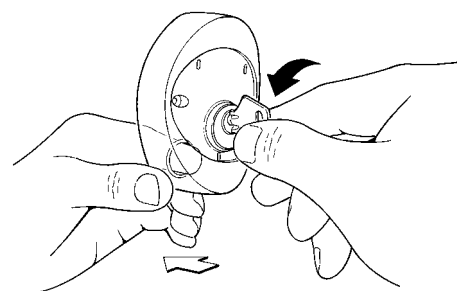


Figure 32

4 Breach the four holes at the bottom with a screwdriver; mark the drilling points using the bottom as reference; make sure that the hole in the bottom matches the outlet for the cables.

5 Drill the holes in the wall using a hammer drill with a 5 mm bit and insert the 5 mm screw anchors.

6 Secure the bottom using the four screws [B].

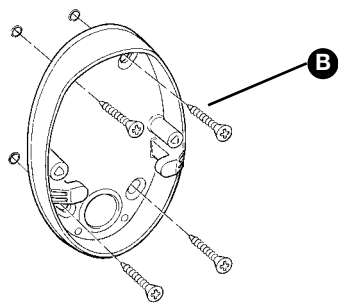


Figure 33

7 Connect the electric cables to the appropriate OPEN and STOP terminals, as shown in figure 34. It is not necessary to observe any polarity. The terminals can be removed in order to facilitate the operations; make the connections and then reinsert them.

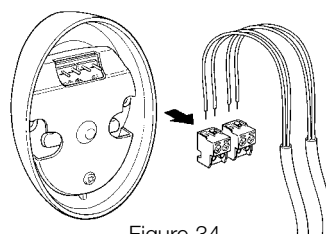


Figure 34

8 To insert the shell on the bottom you need to turn the key. After you have inserted it, turn the key back to the centre position.

9 Secure the body [C] using the two screws [D] and a Phillips screwdriver. Then insert the glass [E], pressing it gently to close it.

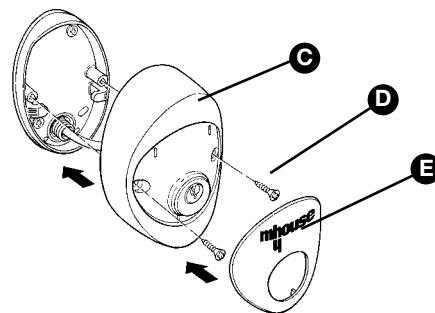


Figure 35

3.3.4 Flashing light FL1

1 Select the position of the flashing light so that it is close to the gate in a visible location; it can be secured to either a vertical or horizontal surface.

2 Slide out the diffuser [A] from the bottom by pressing the two buttons [B]

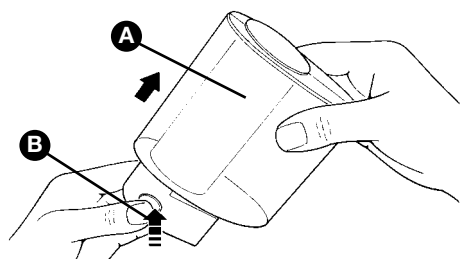


Figure 36

3 Separate the lamp holder with the aerial from the base.

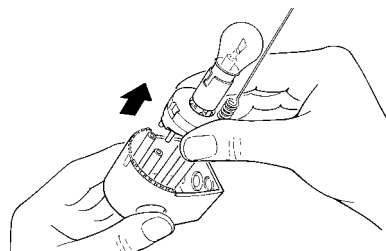


Figure 37

4 Breach the four holes for the screws and the hole for the passage of the cables in the bottom or side, depending on the installation position, using a screwdriver.

5 Mark the drilling points using the bottom as reference and make sure that the hole in the bottom matches the outlet for the cables.

6 Drill the holes in the wall using a hammer drill with a 6 mm bit and insert the 6 mm screw anchors.

7 Secure the bottom with the screws [C].

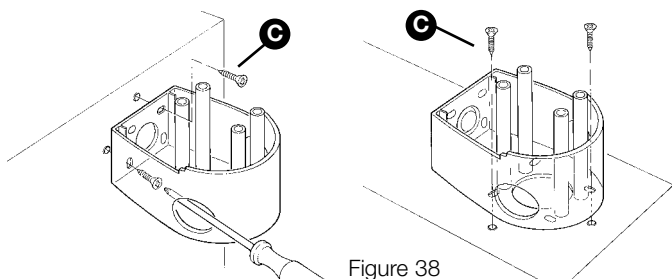


Figure 38

8 Connect the electrical cables to the appropriate FLASH and "aerial" terminals as shown in figure 39. You do not need to observe any polarity on the FLASH terminal; however, for the connection of the shielded cable to the aerial, connect the braid as shown in figure 40. The terminals can be removed in order to facilitate the operations; make the connections and then reinsert them.

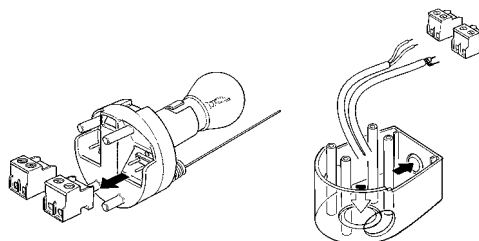


Figure 39



Figure 40

9 Insert the lamp holder in the base taking care to press it down until it locks into place.

10 Slide in the diffuser, pressing the buttons and fitting it on the bottom. Rotate it in the desired direction then press it down until the two buttons snap into their seat.

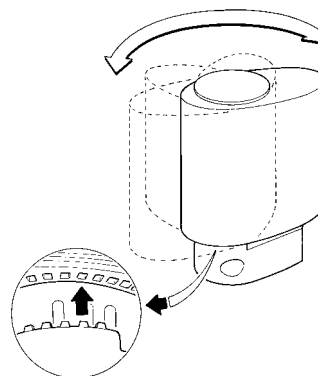


Figure 41

3.3.5 Electrical connections to the WS1C control unit

1 Remove the top cover of the gearmotor by pushing a screwdriver under the closing hook inside the release ringnut and pulling the cover up.

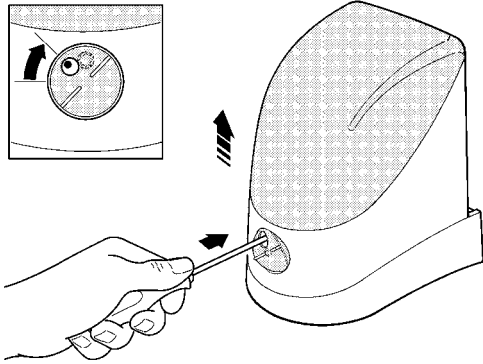


Figure 42

2 Insert the wires for connection of the various devices through the relative route (at the back left of the gearmotor). Leave cable lengths of at least 40-50cm.

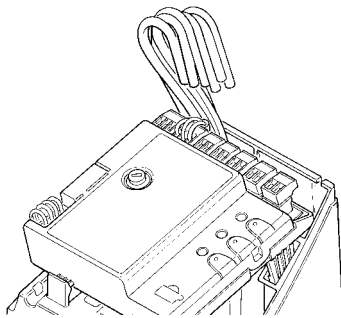


Figure 44

3 Refer to figure 43 for the electrical extra low voltage connection of the various devices to the control unit terminals.

- The terminals have the same colour coding as the corresponding devices; for example, the grey terminal (OPEN) of the KS1 selector must be connected to the grey terminal (OPEN) of the control unit.
- For most connections you do not need to observe any polarity; only for the shielded cable of the aerial it is necessary to connect the central core and the shield as shown in detail [A].
- The cable for the second WS1 (M1 motor) must be connected as shown in detail [B].
- Keep in mind that, to prevent the jamming of the two leaves, the WS1C control unit commands the M2 motor (its motor) to open first, followed by M1 (WS1 one) (vice-versa for the closing manoeuvre). Therefore make sure that the motor that drives the leaf that strikes the mechanical stop is connected to terminal M1 (outer one), while the motor that drives the other leaf must be connected to terminal M2. Otherwise remove the terminals M1 and M2 and invert them.
- If only one motor is used (single-leaf gate) it must be connected to terminal M2 while terminal M1 remains free.

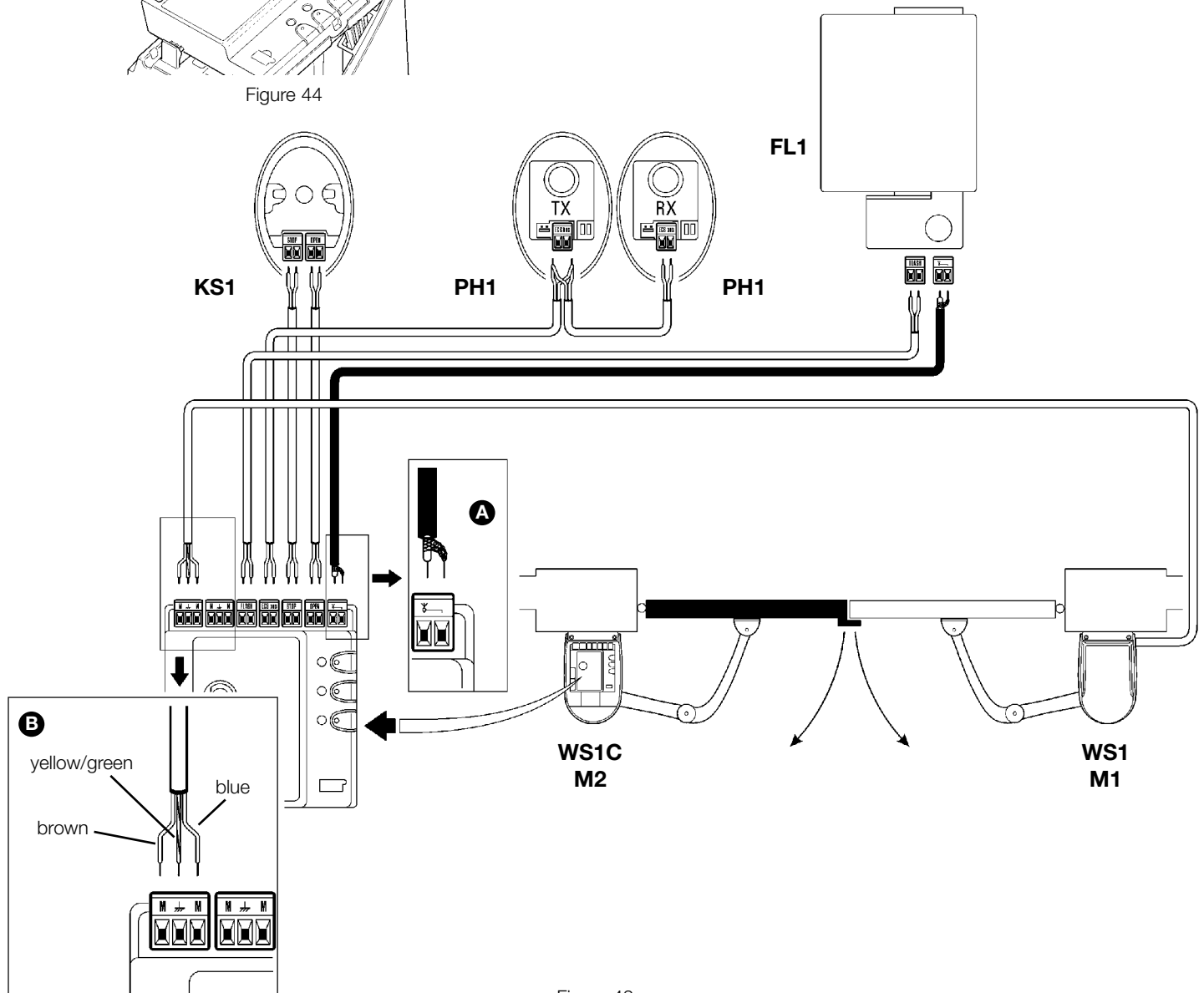


Figure 43

4 To facilitate the installation operations, the terminals [A] can be removed as shown in figure 45; make the connections and then re-insert them. When you have completed the connections, use clamps to secure the cables to the appropriate slots.

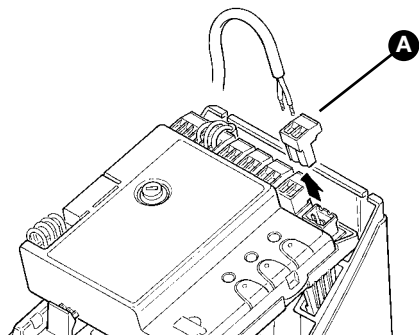


Figure 45

5 Close the gearmotor cover by inserting from above and clicking the front retainer tab into position.

3.4 Power Supply Connection

The connection of the WS1C to the mains must be made by a qualified electrician.



To carry out tests, insert the plug in a power outlet; if necessary, use an extension cord.

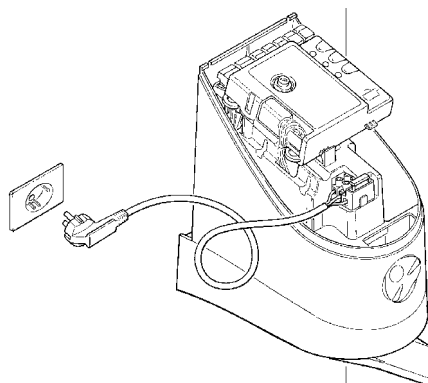


Figure 46

3.5 Preliminary checks

As soon as WS1C control unit is energised, you should check the following:

1 Make sure that the “ECSBus” LED [A] flashes regularly, with about one flash per second.

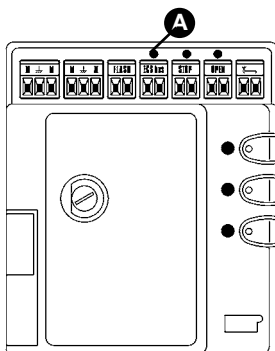


Figure 47

2 Make sure that the SAFE LED [B] on the photocells flashes (both on TX and RX); the type of flashing is not important as it depends on other factors; what is important is that the LED should not be steadily on or steadily off.

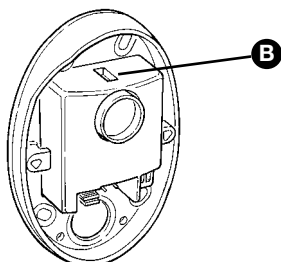


Figure 48

3 Make sure that the night light [C] on the KS1 key-operated selector switch is on.

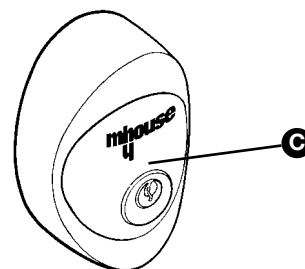


Figure 49

4 If the above conditions are not satisfied, you should immediately switch off the power supply to the control unit and check the cable connections more carefully. For more useful information see also chapters 5.5 “Troubleshooting” and 5.6 “Diagnostics and Signals”.

3.5.1 Recognition of connected devices

When you have completed the initial checks, the control unit must recognise the devices connected to it on the "ECsBus" and "STOP" terminals.

- 1 On the control unit, press the P2 button [C] and hold it down for at least three seconds, then release the button.
- 2 Wait a few seconds for the control unit to finish recognising the devices.
- 3 When the recognising procedure is completed, the STOP LED [A] (the one over the red terminal), must remain on, while the P2 LED [B] must go off. If the P2 LED flashes it means that an error has occurred: see paragraph 5.5 "Troubleshooting".

The connected devices recognition stage can be repeated again at any time, even after the installation (for example, if an additional photocell is installed); just repeat the procedure starting from step 1.

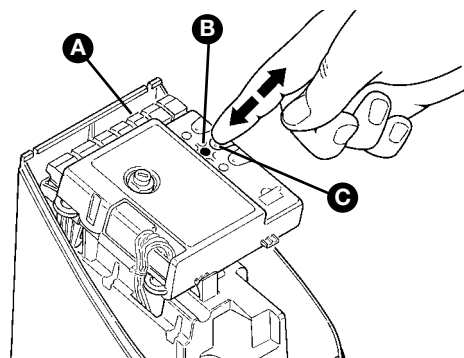


Figure 50

3.5.2 Recognition of Gate Leaves' Opening and Closing Angles

After recognising the devices, the control unit must recognise the leaves' opening and closing angles.

During this stage, the leaves' opening angle is measured from the closing mechanical stop to the opening mechanical stop.

- 1 Release the motors using the appropriate keys (see the "Gearmotor Release" paragraph on page 34) and move the leaves to mid travel so that they are free to move in both opening and closing directions; then lock the motors.
- 2 On the control unit, press the P3 button [B] and hold it down for at least three seconds, then release the button.

Wait for the control unit to complete the recognition stage: closing of the M1 motor to the mechanical stop, closing of the M2 motor to the mechanical stop, opening of the M2 and M1 motors to the opening mechanical stop; complete closing of M1 and M2.

- If the first manoeuvre of one or both leaves is not to close, press P3 to interrupt the recognition stage, then switch the polarity of the motor/s that opened by exchanging the two brown and blue wires on the terminal.
- If the first motor to move in the closing direction is not M1, press P3 to interrupt the recognition stage, then switch the the terminals of the two motors.

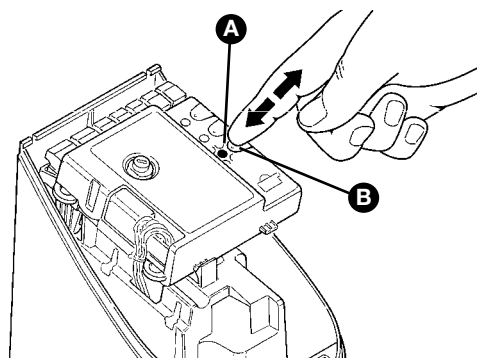


Figure 51

- If any device is triggered during the recognition stage (photocells, key-operated selector switch, pressure on P3, etc.), the recognition stage will immediately be interrupted. It will therefore be necessary to start again from the beginning.
- 3 If at the conclusion of the search the P3 LED [A] flashes, it means that an error has occurred; see paragraph 5.5 "Troubleshooting".

The opening angles recognition stage can be repeated again at any time, even after the installation (for example, if one of the opening stops is removed); just repeat the procedure starting from step 1.

3.5.3 Checking the Radio Transmitters

To check the transmitters just press one of the four buttons, make sure that the red LED flashes and that the automation executes the command.

The command associated to each button depends on how they have been memorized (see paragraph 5.4 "Memorization of Radio Transmitters"). The transmitters supplied have already been memorized and when you press the buttons the following commands are transmitted:

T1 button	"OPEN" command
T2 button	"Pedestrian Gate" command
T3 button	"Open only" command
T4 button	"Close only" command

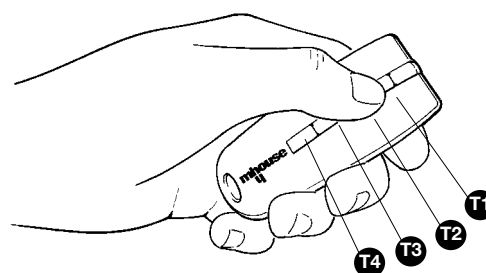


Figure 52

3.6 Regulations

3.6.1 Selecting the Speed of the Leaf

The leaves can be opened and closed at two speeds: "slow" or "fast".

To switch from one speed to the other press the P2 button [B] momentarily; the corresponding P2 LED [A] will light up or go off; if the LED is off the speed is "slow", if the LED is on the speed is "fast".

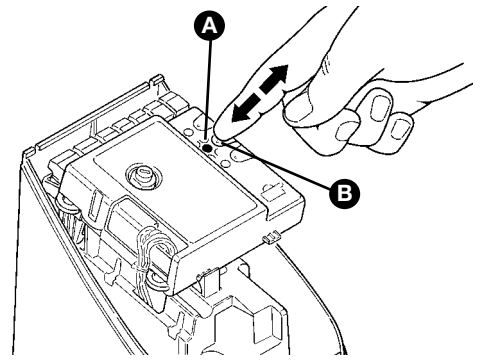


Figure 53

3.6.2 Selecting the Type of Operating Cycle

The opening and closing of the gate can take place according to different operating cycles:

- Single cycle (semiautomatic): the gate opens with a command and stays open until the next command is given, causing it to close.
- Complete cycle (automatic closing): the gate opens with a command and then closes automatically after a short time (for the time, see paragraph 5.1.1 "Adjusting the Parameters with the Radio Transmitter").

To switch from one operating cycle to the other press the P3 button [B] momentarily; the corresponding LED [A] will light up or go off; if the LED is off the cycle is "single", if the LED is on the speed is "complete".

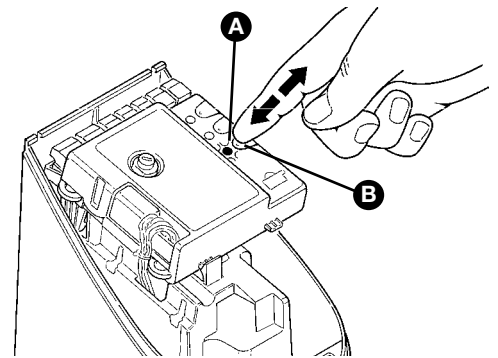


Figure 54

3.7 Testing and commissioning

These are the most important operations in the automation designed to guarantee the maximum safety and reliability of the automation system.

Testing can also be adopted as a method of periodically checking that all the various devices in the system are functioning correctly.

Testing of the entire system must be performed by qualified and experienced personnel who must establish which tests to conduct on the basis of the risks involved, and verify the compliance of the system with applicable regulations, legislation and standards, in particular with all the provisions of EN standard 12445 which establishes the test methods for automation systems for gates.

3.7.1 Testing

1 Make sure that the provisions contained in chapter 1 "WARNINGS" have been carefully observed;

2 Using the selector switch or the radio transmitter, test the opening and closing of the gate and make sure that the gate moves in the intended direction.

The test should be carried out a number of times to make sure that the gate moves smoothly, that there are no points of excessive friction and that there are no defects in the assembly or adjustments.

3 Check the proper operation of all the safety devices, one by one (photocells, sensitive edges, etc.). In particular, each time a device is activated the "ECSBus" LED on the control unit flashes for a longer time, confirming that the control unit recognises the event.

4 To check the photocells and make sure that there is no interference with other devices, pass a 5 cm diameter, 30 cm long cylinder on the optical axis, first near TX, then near RX and finally at the mid-point between them and make sure that in all these cases the device is triggered, switching from the active to the alarm status and vice-versa; finally, that it causes the intended action in the control unit, for example that it causes the reversal of the movement during the closing manoeuvre.

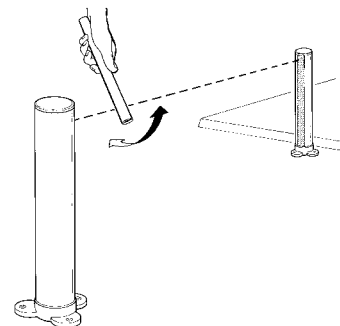


Figure 55

5 Measure the impact force according to EN standard 12445. If "motor force" control is used to assist the system for the reduction of the impact force, try to find the adjustment that gives the best results.

3.7.2 Commissioning

Commissioning can take place only after all the testing phases have been terminated successfully. Partial commissioning or implementation of “temporary” conditions are not permitted.

- 1 Prepare and store for at least 10 years the technical documentation for the automation, which must include at least: assembly drawing (e.g. figure 1), wiring diagram (e.g. figure 13), analysis of hazards and solutions adopted, manufacturer’s declaration of conformity of all the devices installed. For WS2 use Annexe 1 “EC Declaration of Conformity of the WS2 components”.
- 2 Post a label on the gate providing at least the following data: type of automation, name and address of manufacturer (person responsible for the “commissioning”), serial number, year of manufacture and “CE” marking.

- 3 Fill out the declaration of conformity and deliver it to the owner of the automation system; for this purpose you can use Annexe 2 “EC Declaration of Conformity”
- 4 Prepare the operating guide and deliver it to the owner of the automation system; Annexe 3 “OPERATING GUIDE” can be used as an example.
- 5 Prepare the maintenance schedule and deliver it to the owner of the automation system; it must provide directions regarding the maintenance of all the automation devices.
- 6 Before commissioning the automation system inform the owner regarding dangers and hazards that are still existing.

4 Maintenance

The maintenance operations must be performed in strict compliance with the safety directions provided in this manual and according to the applicable legislation and standards.

The devices used for the WS2 automation system do not require any special maintenance. However, periodically make sure (at least once every six months) that all the devices are perfectly efficient.

To this end, carry out all the tests and checks described in paragraph 3.7.1 “Testing” and the operations described in paragraph 7.3.3 “Maintenance Operations to Be Performed by the User”.

If other devices are present, follow the directions provided in the corresponding maintenance schedule.

4.1 Dismantling and Disposal

WS2 is constructed of various types of materials, some of which can be recycled: steel, aluminium, plastic, electric cables; while others must be disposed of (boards and electronic components).

WARNING: some electronic components may contain polluting substances; do not pollute the environment. Enquire about the recycling or disposal systems available in compliance regulations locally in force.

- 1 Contact a qualified electrician regarding the disconnection of the automation system from the electric mains.

- 2 Disassemble all the devices and accessories, following in reverse order the procedures described in chapter 3 “Installation”.
- 3 Remove the batteries from the radio transmitters.
- 4 Remove the electronic boards.
- 5 Sort the various electrical and recyclable materials and consign them to licensed firms for recovery and disposal.
- 6 Consign the remaining materials to authorised scrap collection centres.

5 Additional information

The following chapters describe different ways of customising WS2 to make it suitable for specific application requirements.

5.1 Advanced Adjustments

5.1.1 Adjusting the Parameters with the Radio Transmitter

The radio transmitter can be used to adjust certain control unit operation parameters: there are four parameters and each of them can have four different values:

1) Pause Time: time during which the leaves remain open (in the automatic closing mode).

2) Pedestrian gate: pedestrian gate opening mode.

3) Motor force: maximum force beyond which the control unit recognises an obstacle and reverses the movement.

4) "OPEN" function: sequence of movements associated to each "OPEN" command.

Table 8:

Parameter	No.	value	Action: operation to be performed at point 3 in the adjustment phase
Pause Time	1°	10s	Press button T1 once
	2°	20s (*)	Press button T1 twice
	3°	40s	Press button T1 three times
	4°	80s	Press button T1 four times
Pedestrian gate	1°	1 leaf half way	Press button T2 once
	2°	1 leaf all the way (*)	Press button T2 twice
	3°	Partial 2 leaf opening to 1/4 of stroke	Press button T2 three times
	4°	Partial 2 leaf opening to 1/2 of stroke	Press button T2 four times
Motor force:	1°	Low	Press button T3 once
	2°	Medium-low (*)	Press button T3 twice
	3°	Medium-high	Press button T3 three times
	4°	High	Press button T3 four times
"OPEN" function:	1°	"Open"- "Stop"- "Close"- "Stop"	Press button T4 once
	2°	"Open"- "Stop"- "Close"- "Open" (*)	Press button T4 twice
	3°	"Open"- "Close"- "Open"- "Close"	Press button T4 three times
	4°	Only opening	Press button T4 four times

(*) Original factory setting

The parameter adjustment operation can be performed using any of the radio transmitters, provided they are memorized in mode 1 like the ones supplied (see paragraph 5.4.1 "Mode 1 memorization").

If no transmitter memorized in Mode 1 is available, you can memorize one just for this phase and delete it immediately afterwards (see paragraph 5.4.4 "Deleting a radio transmitter").

WARNING: when using the transmitter to make adjustments you need to give the control unit time to recognize the radio command; this means that the buttons must be pressed and released slowly, held down for at least one second, then released for one second and so on.

1 Press buttons T1 and T2 on the radio transmitter simultaneously for at least 5 s.

2 Release the two button.

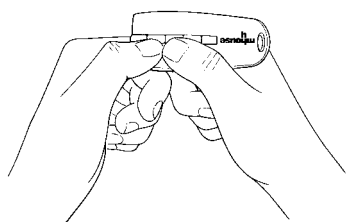


Figure 56

3 Within 3 seconds, perform the action described in Table 8 based on the parameter to be modified.

Example: to set the pause time at 40 s.

1° Press buttons T1 and T2 and hold them down for at least 5 s

2° Release T1 and T2

3° Press button T1 three times

All the parameters can be adjusted as required without any contraindication; only the adjustment of the "motor force" requires special care:

- Do not use high force values to compensate for points of abnormal friction on the door. Excessive force can compromise the operation of the safety system or damage the leaf.

- If the "motor force" control is used to assist the impact force reduction system, measure the force again after each adjustment in compliance with EN standard 12445.

- The weather conditions may affect the movement of the leaf, therefore periodic re-adjustments may be necessary.

5.1.2 Checking the Adjustments with the Radio Transmitter

With a radio transmitter memorized in Mode 1, you can check the values set for each parameter at any time by following the sequence described below:

- 1 Press buttons T1 and T2 on the radio transmitter simultaneously for at least 5 s.
- 2 Release the two buttons.
- 3 Within 3 seconds, perform the action described in Table 9 based on the parameter to be checked.
- 4 Release the button when the flashing light starts flashing.
- 5 Count the flashes and, based on their number, check the corresponding value in table 8.

Table 9:

Parameter	Action
Pause Time	Press button T1 and hold it down
Pedestrian gate	Press button T2 and hold it down
Motor force:	Press button T3 and hold it down
“OPEN” function:	Press button T4 and hold it down

Example. If the flashing light flashes three times after you have pressed T1 and T2 for 5 s and then button T1, the pause time is set at 40 s.

5.2 Optional Accessories

In addition to the devices featured in WS2, other ones are available as optional accessories designed to enhance the automation system.

PR1: 24V buffer battery for supply in the event of power failure. It guarantees at least 10 complete cycles. When the system is powered by the battery, the manoeuvre takes place only in “slow” speed mode.

PT50: Pair of 500 mm posts with one photocell

PT100: Pair of 1000 mm posts with two photocells

For information on the new accessories, refer to the MHOUSE catalogue or visit the site www.mhouse.biz.

5.3 Adding or Removing Devices

Devices can be added to or removed from the WS2 automation system at any time.

Do not add any devices until you have made sure that they are perfectly compatible with WS2; for further information contact MHOUSE Customer Service.

5.3.1 ECSBus

ECSBus is a system that allows you to connect the ECSBus devices using only two wires which carry both the power supply and the communication signals. All the devices are connected in parallel on the 2 wires of the ECSBus itself; each device is individually recognised because a univocal address is assigned to it during the installation.

The photocells, as well as other devices that adopt this system, can be connected to ECSBus, such as safety devices, control buttons, signalling lights etc. For information on the ECSBus devices, refer to the MHOUSE catalogue or visit the site www.mhouse.biz.

The control unit recognises all the connected devices individually through a suitable recognition process, and can detect all the possible abnormalities with absolute precision. For this reason, each time a device connected to ECSBus is added or removed, the control unit must go through the recognition process; see paragraph 5.3.3 “Recognition of Other Devices”.

5.3.2 STOP Input

STOP is the input that causes the immediate interruption of the manoeuvre (with a short reverse run). Devices with output featuring normally open “NO” contacts (like the KS1 selector switch) and devices with normally closed “NC” contacts, as well as devices with 8.2K Ω constant resistance output, like sensitive edges, can be connected to this input.

Multiple devices, even of different type, can be connected to the STOP input if suitable arrangements are made.

To do this, proceed as described in the following table:

Table 10

		1 st device type		
		NO	NC	8,2k Ω
2 nd device type	NO	In parallel (note 2)	(note 1)	In parallel
	NC	(note 1)	In series (note 3)	In series
	8,2k Ω	In parallel	In series	In parallel (note 4)

Note 1. The NO and NC combination can be obtained by placing the two contacts in parallel, and placing in series to the NC contact an 8.2K Ω resistance (therefore, the combination of 3 devices is also possible: NO, NC and 8.2k Ω).

Note 2. Any number of NO devices can be connected to each other in parallel.

Note 3. Any number of NC devices can be connected to each other in series.

Note 4. Only two devices with 8.2K Ω constant resistance output can be connected in parallel; if needed, multiple devices must be connected “in cascade” with a single 8.2K Ω termination resistance.

Warning: if the STOP input is used to connect devices with safety functions, only the devices with 8.2K Ω constant resistance output guarantee the fail-safe category 3.

During the recognition stage the control unit, like ECSBus, recognises the type of device connected to the STOP input subsequently it commands a STOP whenever a change occurs in the recognised status.

5.3.3 Recognition of other devices

Normally the recognition of the devices connected to the ECSBus and the STOP input takes place during the installation stage. However, if new devices are added or old ones removed, the recognition process can be gone through again by proceeding as follows:

- 1 On the control unit, press the P2 button [B] and hold it down for at least three seconds, then release the button.
- 2 Wait a few seconds for the control unit to finish recognising the devices.
- 3 When the recognition stage is completed the P2 LED [A] should go off. If the P2 LED flashes, it means that an error has occurred; see paragraph 5.5 "Troubleshooting".

- 4 After you have added or removed any devices, the automation system must be tested again according to the directions contained in paragraph 3.7.1 "Testing".

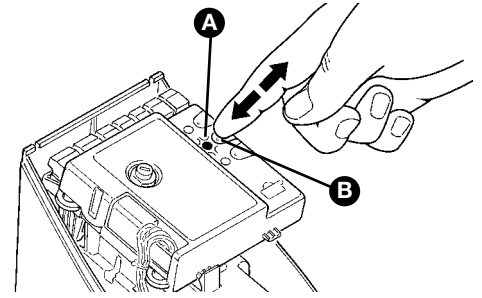


Figure 57

5.3.4 Addition of Optional Photocells

Additional photocells can be installed at any time on top of those supplied with WS2. In an automation system for 2-leaf gates these can be arranged as shown in figure 58.

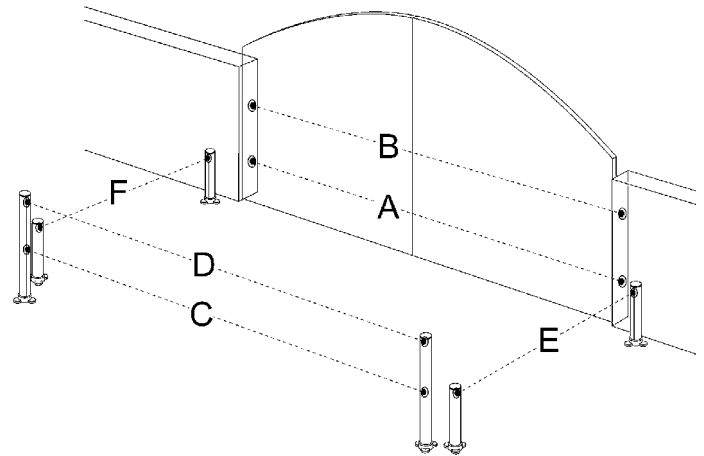


Figure 58

Table 11

Photocell	Jumpers	Photocell	Jumpers
A Photocell h=50; activated when gate closes		D Photocell h=100; activated when gate opens or closes	
B Photocell h=100; activated when gate closes		E Photocell to the right; activated when gate opens	
C Photocell h=50; activated when gate opens or closes		F Photocell to the left; activated when gate opens	

To ensure the correct recognition of the photocells by the control unit, the former must be assigned addresses by means of jumpers. The address allocation procedure must be performed on TX as well as RX (arranging the jumpers in the same manner), but you must make sure that there are no other pairs of photocells having the same address.

Photocell address allocation is used to enable the correct recognition between other devices of the ECSBus and to assign the specific function.

- 1 Open the shell of the photocell.
- 2 Identify the position where they are installed based on figure 57 and connect with jumper according to Table 11. The unused jumpers must be stored in their proper compartment for future use (Figure 59).

- 3 Perform the recognition stage as explained in paragraph 5.3.3 "Recognition of other devices".

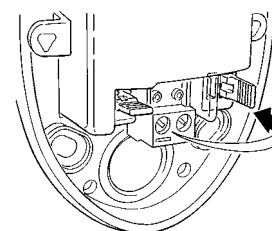


Figure 59

5.4 Memorization of Radio Transmitters

The control unit contains a radio receiver for TX4 transmitters; those included in the package are pre-memorized and operative.

If you wish to memorize a new radio transmitter you have two choices:

- Mode 1: in this “mode” the radio transmitter is used to its fullest extent, i.e. all the buttons execute a pre-established command (the transmitters supplied with WS2 are memorized in Mode 1). It is obvious that in Mode 1 a radio transmitter can be used to command a single automation, i.e.:

T1 button	“OPEN” command
T2 button	“Pedestrian Gate” command
T3 button	“Open only”
T4 button	“Close only”

- Mode 2: one of the four commands available can be associated to each button. This mode, used properly, allows you to command 2 or more different automations; for example:

T1 button	“Open only” command	Automation N. 1
T2 button	“Close only” command	Automation N. 1
T3 button	“OPEN” command	Automation N. 2
T4 button	“OPEN” command	Automation N. 3

Each transmitter is, of course, a separate unit, and while some are memorized in mode 1 others can be memorized in mode 2 on the control unit.

The overall memory capacity is 150 units; memorization in mode 1 takes up one unit for each transmitter while mode 2 takes up one unit for each button.

Warning: since the memorization procedures are timed (10 s), you must read the instructions in the following paragraphs before you proceed with their execution.



5.4.1 Mode 1 Memorization

- 1 Press button P1 [B] for at least 3 s. When the P1 LED [A] lights up, release the button.
- 2 Within 10 s, press any button on the radio transmitter to be memorized and hold it down for at least 2 s.

If the memorization procedure is successful, the P1 LED will flash 3 times.

- 3 If there are other transmitters to be memorized, repeat step 2 within the next 10s, otherwise the memorization stage will terminate automatically.

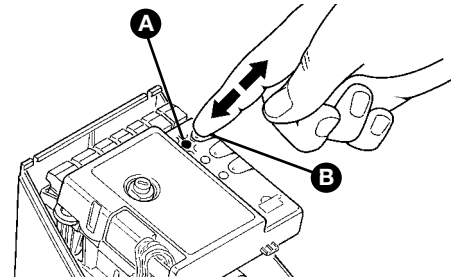


Figure 60

5.4.2 Mode 2 Memorization

With the memorization in mode 2 of the radio transmitter, any one of the four commands (“OPEN”, “Open partially”, “Open only” and “Close only”) can be associated to each button. In Mode 2 each button requires a separate memorization stage.

- 1 Clear the remote control by performing the procedure “5.4.4 Deleting a radio transmitter”
- 2 Press button P1 (figure 61) on the control unit as many times as the number corresponding to the desired command, according to the following table: (e.g. 3 times for the “Open only” command).

1 time	“OPEN” command
2 times	“Pedestrian Gate” command
3 times	“Open only”
4 times	“Close only”

- 3 Make sure that the P1 LED makes as many quick flashes as the number corresponding to the selected command.
- 4 Within 10 s, press the desired button on the radio transmitter to be memorized, and hold it down for at least 2 s.

If the memorization procedure is successful, the “P1” LED will flash 3 times slowly.

- 5 If there are other transmitters to be memorized for the same type of command, repeat step 3 within the next 10 s, otherwise the memorization stage will terminate automatically.

5.4.3 “Remote” Memorization

A new radio transmitter can be memorized in the control unit without directly operating the buttons on it. You need to have an “OLD” pre-memorized operational radio transmitter. The “NEW” radio transmitter to be memorized will inherit the characteristics of the OLD one, i.e. if the OLD radio transmitter was memorized in Mode 1, the NEW one will also be memorized in Mode 1. In this case, during the memorization stage you can press any key on the two transmitters. If, on the other hand, the OLD transmitter was memorized in Mode 2 you must press the button on the OLD transmitter which corresponds to the desired command, and the button on the NEW transmitter to which you wish to associate that command.

Holding the two transmitters, position yourself within the operating range of the automation and perform the following operations:

- 1 Press the button on the NEW radio transmitter and hold it down for at least 5s, then release it
- 2 Press the button on the OLD radio transmitter 3 times slowly.
- 3 Press the button on the NEW radio transmitter once slowly.

At this point the NEW radio transmitter will be recognized by the control unit and will assume the characteristics of the OLD one.

If there are other transmitters to be memorized, repeat all the steps above for each new transmitter.

5.4.4 Deleting a Radio Transmitter

Only if the system features a radio transmitter, you can delete it from the memory by proceeding as follows.

If the transmitter is memorized in Mode 1, only one deletion procedure will be needed and at step 3 you can press any button. If the transmitter is memorized in Mode 2, one deletion procedure will be needed for each key memorized.

- 1 Press the P1 button [B] (figure 60) on the control unit and hold it down
- 2 Wait until the P1 LED [A] lights up, then, within three seconds:

- 3 Press the key on the radio transmitter to be deleted and hold it down for at least three seconds. If the deletion procedure is successful, the P1 LED will flash rapidly 5 times. If the P1 LED flashes only once slowly, it means that the deletion procedure has not been successful because the transmitter is not memorized.

- 4 If there are other transmitters to be deleted, repeat step 3 within ten seconds while pressing button P1, otherwise the deletion stage will terminate automatically.

5.4.5 Deleting all the Radio Transmitters

With this operation all the memorized transmitters are deleted.

- 1 Press the P1 button [B] on the control unit and hold it down.
- 2 Wait until the P1 LED [A] lights up, then wait until it goes off, then wait until it has flashed 3 times.
- 3 Release the P1 button precisely upon the third flash.
- 4 Wait approximately 4 s for the deletion process to be completed; during this time the LED will flash very quickly.

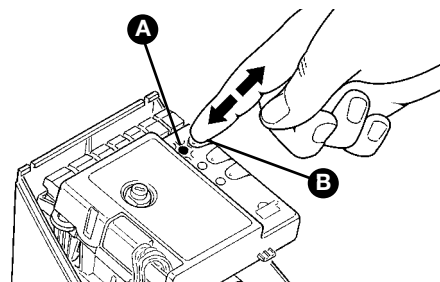


Figure 61

If the procedure is successful, after a few moments the P1 LED will flash slowly 5 times.

5.5 Troubleshooting

The following table contains instructions to help you solve malfunctions or errors that may occur during the installation stage or in case of failure.

Table 12	
Symptoms	Probable cause and possible solution
The radio transmitter does not emit any signal (the LED [A] does not light up)	<ul style="list-style-type: none"> • Check to see if the batteries are exhausted, if necessary replace them (page 34)
The manoeuvre does not start and the "ECSBus" LED [B] does not flash	<ul style="list-style-type: none"> • Make sure that the power cord is properly plugged into the mains outlet • Check to see if the fuses [E] or [F] are blown; if necessary, identify the reason for the failure and then replace the fuses with others having the same current rating and characteristics.
No manoeuvre starts and the flashing light is off	<ul style="list-style-type: none"> • Make sure that the command is actually received. If the command reaches the OPEN input, the corresponding "OPEN" LED [D] must light up; if you are using the radio transmitter, the "ECSBus" LED must make two long flashes.
No manoeuvre starts and the flashing light flashes a few times	<ul style="list-style-type: none"> • Make sure that the STOP input is active, i.e. that the "STOP" LED [C] comes on. If this does not happen, check the devices connected to the STOP input. • The photocell test which is performed at the starting of each manoeuvre is not successful; check the photocells, also according to Table 13 on page 23
The manoeuvre starts but it is immediately followed by a reverse run	<ul style="list-style-type: none"> • The selected force is too low to move the leaves. Check to see whether there are any obstacles; if necessary increase the force as described on page 18
The manoeuvre is carried out but the flashing light does not work	<ul style="list-style-type: none"> • Make sure that there is voltage on the flashing light's FLASH terminal during the manoeuvre (being intermittent, the voltage value is not important: approximately 10-30Vac); if there is voltage, the problem is due to the lamp; in this case replace the lamp with one having the same characteristics.

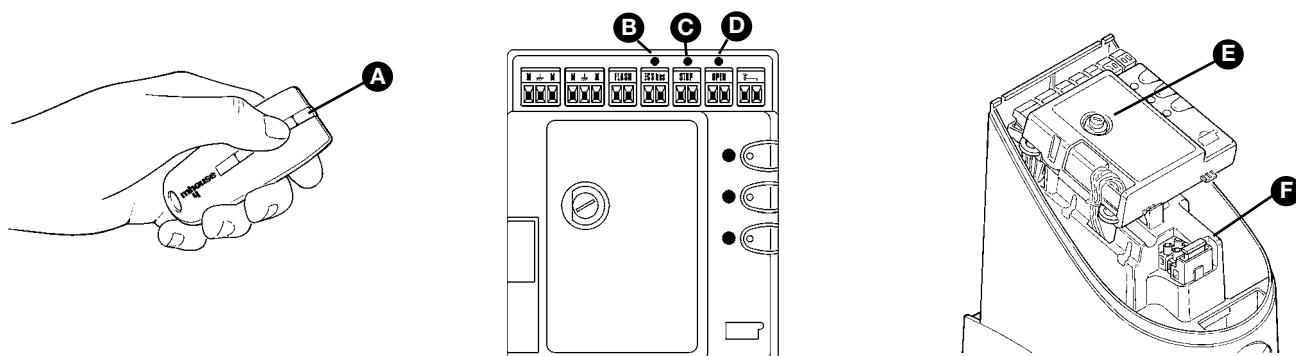


Figure 62

5.6 Diagnostics and Signals

A few devices issue special signals that allow you to recognize the operating status or possible malfunctions.

5.6.1 Photocells

The photocells are equipped with a "SAFE" LED [A] that allows you to check the operating status at any time

"SAFE" LED	Status	Action
Off	The photocell is not powered or is faulty	Make sure that there is voltage (approx. 8÷12 Vdc) on the photocell's terminals; if the voltage is correct, the photocell is probably faulty.
3 quick flashes and a second's pause	Device not recognized by the control unit	Repeat the recognition procedure on the control unit. Make sure that all the photocell pairs on ECSCBus have correct addresses (see Table 11 on page 20)
1 very slow flash	The RX receives a perfect signal	Normal operation
1 slow flash	The RX receives a fair signal	Normal operation
1 quick flash	The RX receives a poor signal	Normal operation but you should check the TX-RX alignment and make sure the glasses are clean
1 very quick flash	The RX receives a very poor signal	It is at the limit of normal operation, you should check the TX-RX alignment and make sure the glasses are clean
Always on	The RX does not receive any signal	Check to see if there is an obstacle between TX and RX. Make sure that the LED on TX flashes once slowly. Check the TX-RX alignment

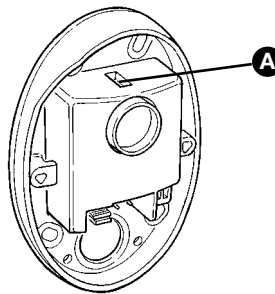


Figure 63

5.6.2 Flashing light

During the manoeuvre the flashing light flashes once every second. When something is wrong the flashes are more frequent (half a second); the light flashes twice with a second's pause between flashes.

Quick flashes	Status	Action
1 flash 1 second's pause 1 flash	ECSCBus error	At the starting of the manoeuvre, the devices present do not correspond to those recognized; check and if necessary try repeating the recognition process (see 5.3.3 "Recognition of Other Devices"). One or more devices may be faulty; check and, if necessary, replace them.
2 flashes 1 second's pause 2 flashes	Triggering of a photocell	At the starting of the manoeuvre, one or more photocells do not enable it; check to see if there are any obstacles. If there is an obstacle impeding the movement no action is required.
3 flashes 1 second's pause 3 flashes	Activation of the "motor force" limiting device	During the movement, the leaf experienced excessive friction; identify the cause
4 flashes 1 second's pause 4 flashes	Activation of the STOP input	During the movement the STOP input was activated; identify the cause

5.6.3 Control unit

On the control unit there is a set of LED's each of which can give special indications both during normal operation and in case of malfunctions.

Table 15

"ECSBus" LED [A]	Status	Action
Off	Malfunction	Make sure there is power supply; check to see if the fuses are blown; if necessary, identify the reason for the failure and then replace the fuses with others having the same characteristics.
On	Serious malfunction	There is a serious malfunction; try switching off the control unit for a few seconds; if the condition persists it means there is a malfunction and the electronic board has to be replaced
One flash every second	Everything OK	Normal operation of control unit
2 long flashes	The status of the inputs has changed	This is normal when there is a change in one of the inputs: OPEN, STOP, triggering of photocells or the radio transmitter is used
Series of flashes separated by a pause	It corresponds to the flashing light's signal. See Table 14	
Quick flashing	Short circuit on ECSBus	An overload has been detected and therefore the power supply to the ECSBus has been interrupted. Check by disconnecting the devices one by one, if necessary. To restore the power supply to the ECSBus just give the command using the radio transmitter, for example.
"STOP" LED [B]	Status	Action
Off	Activation of the STOP input	Check the devices connected to the STOP input
On	Everything OK	STOP Input active
"OPEN" LED [C]	Status	Action
Off	Everything OK	OPEN input not active
Acceso	Activation of the OPEN input	This is normal only if the device connected to the OPEN input is actually active
P1 LED [C]	Status	Action
Off	Everything OK	No memorization in progress
On	Memorization in Mode 1	This is normal during memorization in mode 1 which lasts maximum 10s
Series of quick flashes, from 1 to 4	Memorization in Mode 2	This is normal during memorization in mode 2 which lasts maximum 10s
5 Quick flashes	Deletion OK	Deletion of one transmitter successful.
1 slow flash	Wrong command	A command from a non-memorized transmitter has been received
3 slow flashes	Memorization OK	Memorization process successful.
5 slow flashes	Deletion OK	Deletion of all transmitters successful.
P2 LED [D]	Status	Action
Off	Everything OK	"Slow" speed selected
On	Everything OK	"Fast" speed selected
1 flash every second	No device has been memorized or an error has occurred during the recognition process	There may be faulty devices; check and, if necessary, try repeating the recognition process (see paragraph 3.5.1 "Recognition of Connected Devices")
2 flashes per second	Device recognition stage in progress	It indicates that the search for the connected devices is under way (this stage lasts a few seconds at the most)
LED P3 [F]	Status	Action
Off	Everything OK	Cyclic operation
On	Everything OK	Complete cyclic operation
1 flash every second	No opening angle has been memorized	Perform the recognition stage (see chapter "3.5.2 Recognition of Gate Leaves' Opening and Closing Angles")
2 flash per second	Recognition of opening angles in progress	It indicates that the recognition of the opening angles is under way

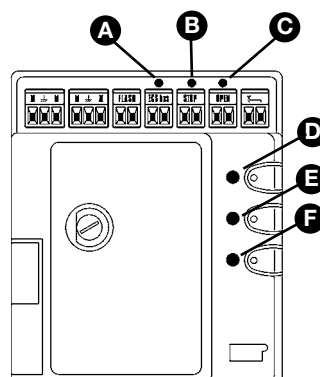


Figure 64

6 Technical characteristics

WS2 is produced by NICE S.p.a. (TV) I, MHOUSE S.r.l. is an affiliate of the Nice S.p.a group.

Nice S.p.a., in order to improve its products, reserves the right to modify their technical characteristics at any time without prior notice. In any case, the manufacturer guarantees their functionality and fitness for the intended purposes.

Note: all technical specifications refer to a temperature of 20°C.

WS1C Gearmotor for swing gates

Type	Electromechanical gearmotor for automated gates and doors with incorporated control unit complete with radio receiver for "TX4" transmitters
Adopted technology	24Vdc motor, helical teeth reduction gear; mechanical releaseA transformer located in the motor but separated from the control unit reduces the mains voltage to the 24Vdc rating used throughout the automation system
Peak thrust	360Nm
Nominal torque	200Nm
Idling speed	11 degrees / s in "slow" speed mode; 17 degrees / s in "Fast" speed mode
Nominal torque speed	6 degrees / s in "slow" speed mode; 9 degrees / s in "Fast" speed mode
Maximum frequency of cycles	50 complete cycles per day (the WS1C control unit allows up to a maximum of 10 cycles per hour)
Maximum continuous cycle time	approx. 8 minutes
Working limits	Its structural characteristics make it suitable for use on gates weighing up to 200Kg or leaves up to 1.8 m wide and with opening angle up to 110°
Mains power supply	230Vac (+10% -15%) 50/60Hz
Rated absorbed power	100 VA; peak power is 250 VA for maximum 3s
Emergency power supply	Designed to accommodate "PR1" buffer batteries
Flashing light output	For visual signalling devices with 12V lamp, maximum 21W
ECSBus outputi	One output with a maximum load of 15 ECSBus units
"OPEN" input	For normally open contacts (the closing of the contact causes the "OPEN" command)
"STOP" Input	For normally open contacts, for 8.2Kohm constant resistance, or normally closed contacts; with self-recognition of the "normal" status (any variation from the memorized status causes the "STOP" command)
Radio Aerial Input	52 ohm for RG58 or similar type of cable
Maximum cable length	Mains power supply: 30 m; motor outputs: 10 m; other inputs/outputs: 20m with aerial cable preferably shorter than 5m (observe the directions regarding the minimum gauge and type of cable)
Operating ambient temperature	-20 ÷ +50 °C (at low temperatures the efficiency of the gearmotor decreases)
Use in acid, saline or potentially explosive atmosphere	No
Mounting	Horizontal with the appropriate mounting plate
Protection classi	IP54
Dimensions / weight	237 x 146 h 290 / 6,5 Kg
Remote control possibility	With TX4 transmitters the control unit can receive one or more of the following commands: "OPEN", "Open partially", "Open only" and "Close only"
TX4 transmitters memorized	Up to 150 if memorized in mode 1
Range of TX4 transmitters	From 50 to 100 m. The range can vary if there are obstacles or electromagnetic disturbances, and is affected by the position of the receiving aerial incorporated in the flashing light
Programmable functions	"Cycle" or "Complete cycle" operation (automatic closing) "Slow" or "fast" motor speed The pause time in the "complete cycle" mode can be set at 10, 20, 40, 80 seconds The type of pedestrian opening can be selected from 4 modes The sensitivity of the obstacle detection system can be selected from 4 levels The operation of the "Open" command can be selected from 4 modes
Self-programmed functions	Automatic detection of devices connected to the ECSBus output Automatic detection of the type of "STOP" device (NO or NC contact or 8,2kΩ resistance) Self-detection of the opening angle for each motor Automation system self-detection with 1 or 2 motors

WS1 Gearmotor for swing gates

Type	Electromechanical gearmotor for automatic gates and doors.
Adopted technology	24Vdc motor, helical teeth reduction gear; mechanical release
Peak thrust	360Nm
Nominal torque	200Nm
Idling speed	11 degrees / s in "slow" speed mode; 17 degrees / s in "Fast" speed mode
Nominal torque speed	6 degrees / s in "slow" speed mode; 9 degrees / s in "Fast" speed mode
Maximum frequency of cycles	50 complete cycles per day (the WS1C control unit allows up to a maximum of 10 cycles per hour)
Maximum continuous cycle time	approx. 8 minutes
Working limits	Its structural characteristics make it suitable for use on gates weighing up to 200Kg or leaves up to 1.8 m wide and with opening angle up to 110°
Power supply	24 Vdc power supply for "slow" speed and 36 Vdc power supply for "fast" speed
Nominal input power	2A; the peak current is 3.6A for maximum 3s; equivalent to a peak power of 50W (*70W) and 90W (*130W). (* "fast" speed values)
Operating ambient temperature	-20 ÷ +50 °C (at low temperatures the efficiency of the gearmotor decreases)
Use in acid, saline or potentially explosive atmosphere	No
Mounting	Horizontal with tha relative appropriate plate
Protection class	IP54
Dimensions and weight	237 x 146 h 290 / 6,2 kg

PH1 Photocells

Type	Presence detector for automated gates and doors (type D according to EN 12453 standard) consisting of a "TX" transmitter and an "RX" receiver
Adopted technology	Optical, by means of direct TX-RX interpolation with modulated infrared ray
Detection capacity	Opaque objects located on the optical axis between TX and RX, larger than 50mm and moving slower than 1.6m/s
TX transmission angle	Approx. 20°
RX reception angle	Approx. 20°
Useful capacity	Up to 10m for maximum TX-RX misalignment of ± 5° (the device can signal an obstacle even in the case of adverse weather conditions)
Power supply/output	The device can be connected only to "ECSBus" networks from which it receives the power supply and sends the output signals.
Absorbed power	1 ECSBus unit
Maximum cable length	Up to 20m (observe the directions regarding the minimum gauge and type of cable)
Addressing possibility	Up to 7 detectors with protection function and 2 with opening command function. The automatic synchronism prevents any interference among the various detectors
Operating ambient temperature	-20 ÷ 50°C
Suitable for use in acid, saline or potentially explosive atmosphere	No
Mounting	Vertical, wall-mounted
Protection class	IP55
Dimensions / weight (TX and RX)	95 x 65 h 25mm / 65g

KS1 Key-Operated Selector Switch

Type	Key-operated double switch suitable for control of automatic gates and doors. Illuminated for night operation.
Adopted technology	Activation protected by a lock, the insertion and clockwise turning of the key causes the closing of a contact, the counter-clockwise turning of the key causes the closing of the second contact; spring-loaded for return of key to the middle position.
Tamper-proof	The selector switch can be opened to access the connections only by inserting the key and turning it in either direction
Security lock	Key with 450 different key numbers
Power supply/contacts	The device can only be connected to the "OPEN" and "STOP" terminals on the MHOUSE gate automation control units, to which it sends the control signals and by which it is energized for night illumination
Operating ambient temperature	-20 ÷ 50°C
Use in acid, saline or potentially explosive atmosphere	No
Mounting	Vertical, wall mounted
Protection class	IP44
Dimensions / weight	95 x 65 h 36mm / 135g

FL1 Flashing light

Type	Flashing signaling light for automatic gates and doors. The device incorporates a receiving aerial for remote control
Adopted technology	Visual signalling device with 12V 21W lamp, controlled by MHOUSE automation control units
Courtesy light	12V lamp maximum 21 W BA15 socket (automotive type lamp),
Power supply	The device can be connected only to the "FLASH" and "AERIAL" terminals on the MHOUSE automatic gate control units
Operating ambient temperature	-20 ÷ 50°C
Use in acid, saline or potentially explosive atmosphere	No
Mounting	Horizontal surface-mounted or vertical wall-mounted
Protection class	IP55
Dimensions / weight	120 x 60 h 170mm / 285g

TX4 Transmitters

Type	Radio transmitters for remote control of automatic gates and doors.
Adopted technology	AM OOK coded modulation of radio carrier
Frequency	433.92 Mhz
Rolling code	with 64 Bit code (18 billion million combinations)
Buttons	4, each button can be used for the different controls of the same control unit or to control different control units.
Irradiated power	approx, 0.0001 W
Power supply	6V +20% -40% with two CR2016 type lithium batteries
Battery life	3 years, estimated on the basis of 10 commands/day, each lasting 1s at 20°C (at low temperatures the efficiency of the batteries decreases)
Operating ambient temperature	-20 ÷ 50°C
Use in acid, saline or potentially explosive atmosphere	No
Protection class	IP40 (suitable for use indoors or in protected environments)
Dimensions / weight	72 x 31 h 11mm / 18g

7 Annexes

The following annexes are designed to help you prepare the technical documentation.

7.1 Annexes 1: Declaration of Conformity of WS2 Components

CE Declaration of Conformity of WS2 components; this statement must be attached to the technical documentation.

7.2 Annexes 2:CE Declaration of Conformity of Power Operated Gate

CE Declaration of Conformity to be filled in and delivered to the owner of the power operated Gate.

7.3 Annexes 3: Operating guide

Brief guide to be used as an example for drafting the operating guide to be delivered to the owner of the power operated gate.

Declaration of conformity

According to Directive 98/37/EC, Annexe II, part B (CE declaration of conformity by manufacturer)
WS2 is produced by NICE S.p.a. (TV) I, MHOUSE S.r.l. is an affiliate of the Nice S.p.a group.

Number: 181/WS2/I

Date: 23/01/2004

Revision: 00

The undersigned: Lauro Buoro declares that the following products

Manufacturer's name: NICE S.p.a.
Address: Via Pezza Alta 13, 31046 Z.I. Rustignè –ODERZO- ITALY
Model: WS1C; WS1; PH1; KS1; FL1; TX4

Comply with the essential provisions of the following European Directives:

Reference	Heading
98/37/EC (EX 89/392/EEC)	DIRECTIVE 98/37/EC OF THE EUROPEAN PARLIAMENT AND OF THE COUNCIL of June 22, 1998, for the harmonisation of the legislations of member States regarding machines
73/23/EEC	DIRECTIVE 73/23/EEC OF THE COUNCIL of February 19, 1973 for the harmonisation of the legislations of member States regarding electrical equipment designed to be used within certain voltage limits
89/336/EEC	DIRECTIVE 89/336/EEC OF THE COUNCIL of May 3, 1989, for the harmonisation of the legislations of member States regarding electromagnetic compatibility
1999/5/EC	DIRECTIVE 1999/5/EC OF THE EUROPEAN PARLIAMENT AND OF THE COUNCIL of March 9, 1999 concerning radio equipment and telecommunications terminal equipment and mutual recognition of their conformity

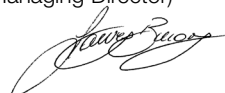
Comply with the following Standards:

Reference	Issue date	Heading
UNI EN 12445	8/2002	Industrial, commercial and garage doors and gates. Safety in use of power operated doors – Requirements
UNI EN 12453	8/2002	Industrial, commercial and garage doors and gates. Safety in use of power operated doors – Requirements
ETSI EN301489-3	11/2001	Electromagnetic Compatibility and Radio spectrum Matters(ERM) Electro Magnetic Compatibility (EMC) standard for radio equipment and services
EN300220-3	2000	Radio equipment and systems (RES) – Short range devices – Technical specifications and test methods for use on radio equipment to be used within the frequency range from 25 MHz to 1000 MHz with power levels up to 500 mW.
CEI EN60950	10/2001	Information technology equipment - Safety

The undersigned declares moreover that the components described above may not be put into service before the machine in which they are incorporated has been identified and declared to comply with the provisions of Directive 98/37/EC

ODERZO, 23/01/2004

Lauro Buoro
(Managing Director)



CE Declaration of conformity

According to Directive 98/37/EC, ANNEXE II, part A (CE declaration of conformity for machines)

The undersigned / Company:

(name or business name of person who has put the power operated gate into service)

(address)

Declares under his/her sole responsibility that:

The automation : power operated gate with swing leaves

Serial number : _____

Year of manufacture : _____

Location (address) : _____

Satisfies the essential requirements of the following Directives:

98/37/EC	Machine Directive
89/336/CEE	Electromagnetic Compatibility Directive
73/23/CEE	Low Voltage Directive
99/5/EC	"R&TTE" Directive

And the provisions of the following harmonised standards:

EN 12445	"Industrial, commercial and garage doors and gates. Safety in use of power operated doors - Test methods"
EN 12453	"Industrial, commercial and garage doors and gates. Safety in use of power operated doors - Requirements"

Name _____ Signature _____

Date _____ Location _____



7.3 Annexe 3: Operating Guide

This guide should be stored in an accessible location and made available to all users of the automation.

7.3.1 Safety regulations

- **Keep at a safe distance while the gate is moving; do not pass through until the gate has opened all the way and the leaves have stopped moving.**
- **Do not allow children to play near the gate or with its controls.**
- **Stop using the automation system immediately if you notice anything abnormal (strange noise or jerky movements); failure to observe this warning may result in serious danger and accidents.**
- **Do not touch any components while they are moving.**
- **Have periodic checks made according to the instructions provided in the maintenance schedule.**
- **Maintenance operations and repairs can only be performed by qualified technicians.**

7.3.2 Gate Control

With radio transmitter

The radio transmitter is ready for use and the four buttons have the following functions:

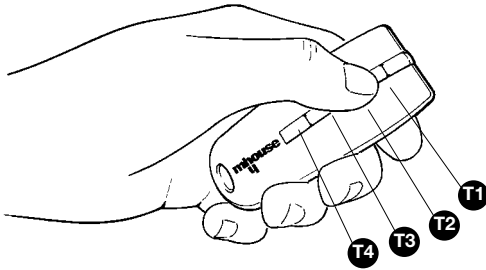


Figure 65

Function (*)

Function (*)	
T1 button	
T2 button	
T3 button	
T4 button	

(*) Questa tabella deve essere compilata da chi ha effettuato la programmazione.

With selector switch

The selector switch has two positions, with automatic return to the

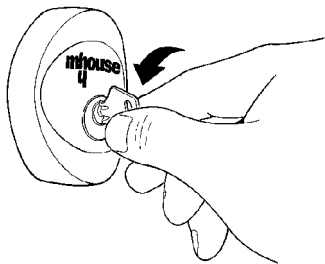


Figure 66

Action	Function
Rotated to the right: "OPEN"	(*)
Rotated to the left: "STOP"	It stops the movement of the gate

(*) This item must be drafted by the person who has programmed the system.

centre.

Control with safety devices out of order

If the safety devices are out of order or malfunctioning, it is still possible to control the gate.

1 Operate the gate control device (remote control or key-operated selector switch). If the safety devices enable the operation, the gate will open normally, otherwise:

2 The flashing light flashes a few times but the manoeuvre does not start (the number of flashes depends on the reason why the manoeuvre is not enabled).

3 In this case, actuate the control again within 3 seconds and keep it actuated.

4 After approximately 2s the gate will start moving in the "man present" mode, i.e. so long as the control is maintained the gate will keep moving; as soon as the control is released the gate will stop.

If the safety devices are out of order the automation must be repaired as soon as possible.

Gearmotor release

The gearmotor is equipped with a mechanical system which allows the gate to be opened and closed manually (i.e. as if WS2 were not present).

The manual operation must be resorted to in case of power failures or system malfunctions. If a power failure occurs, the buffer battery can be used (PR1 optional accessory).

If there is a malfunction of the gearmotor it is still possible to try and release the motor in order to check whether the problem is connected with the release mechanism.

- 1 Turn the release mechanism cover clockwise until the hole matches the release pin.

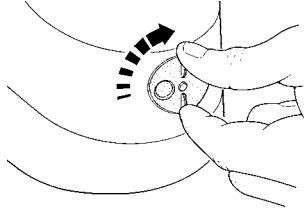


Figure 67

- 2 Insert the key in the pin.

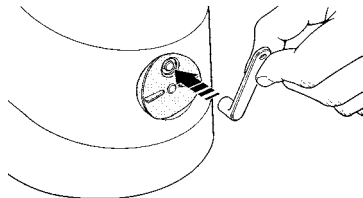


Figure 68

- 3 Turn the key anti-clockwise.

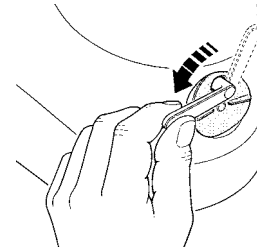


Figure 69

- 4 At this point, the gate leaf can be moved manually.

- 5 To restore the functionality of the automation system, rotate the key clockwise while simultaneously moving the gate until it is caught by the mechanism.

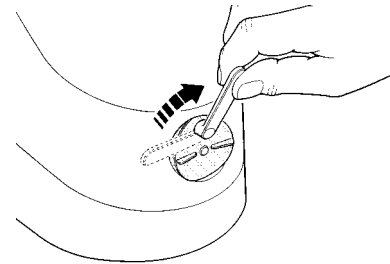


Figure 70

- 6 Remove the key and close the cover by turning it anti-clockwise.

7.3.3 Maintenance Operations to Be Performed by the User

The only maintenance operations that the user can and must perform periodically concern the cleaning of the photocell glasses and the removal of leaves and debris that may impede the automation.

• Use a slightly damp cloth (not wet) to clean the surface of the devices. Do not use any substances containing alcohol, benzene, diluents or other flammable substances. The use of these substances could damage the devices, start fires or generate electric shocks.

• **Disconnect the power supply to the automation before you proceed to remove leaves and debris, to prevent anyone from activating the gate.**

7.3.4 Replacing the Remote Control Battery

If the range of the remote control is significantly diminished and the light emitted by the LED is feeble, the remote control battery is probably exhausted. The remote control houses two CR2016 type lithium batteries. To replace them proceed as follows:

- 1 Open the bottom by pulling it.

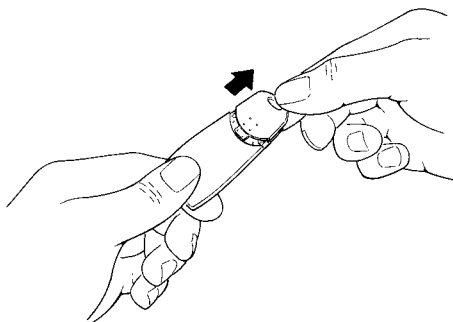


Figure 71

- 2 Insert a small pointed tool in the slit and prise the batteries out.

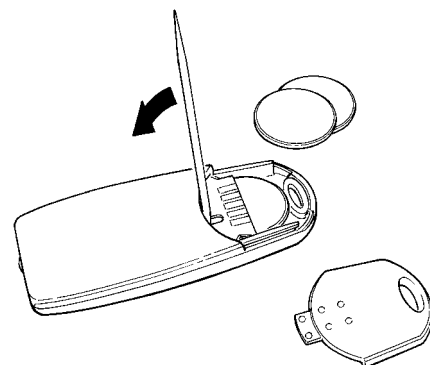


Figure 72

- 3 Insert the new battery, observing the polarity (the "+" symbol towards the bottom).

- 4 Close the bottom until it clicks.

The batteries contain polluting substances: do not dispose of them together with other waste but use the methods established by local regulations.

Mhouse

Via Pezza Alta, 13 - Z.I. Rustignè

31046 Oderzo TV Italia

Tel. +39 0422 20 21 09

Fax +39 0422 85 25 82

info@mhouse.biz

www.mhouse.biz

