

NiceGate&Door

Systems for the automation of gates,
garage doors and barriers

Price List

01.2012



Nice

Home Automation

The Nice Idea

One of the leading international names in the Home Automation field, Nice offers a wide range of automation systems for gates, garage and industrial doors; parking and road barrier systems; blinds and shutters; wireless alarm systems and lighting systems.

Designing a Nice World

Improving the quality of life by simplifying everyday movements:

Nice offers the security of going in and out in total freedom, by meeting the desire of comfort with practical products and an emotional design.

To make the most of the housing space.



Nice cares for the environment.
Using natural paper it avoids
excessive use of raw materials
and forest exploitation.
Waste is reduced, energy is saved
and climate quality is improved.

Symbols



Product news



Compatible for operation with Solemyo system



Compatible for operation with Opera system



With Nice BlueBUS technology 2 wires without polarity



24 Vdc power supply



230 Vac power supply



400 Vac power supply



Nice Radio Connection

To find the product you're looking for:

1. If you know the name of the product, you can quickly find it out in the index;

2. If you know the product code but not its name, at page 226/229 you can find the list of the codes in alphabetical order;

3. If you do not know either the name or the product code, look through the index to find the application you are interested in.

The first few pages of each section consist in a **simple guide:** follow the arrows to single out the model which best answers your needs.

Surface mounted, with articulated arm, recommended for small posts, in kit

For leaves up to 1.8 m, 24 Vdc irreversible with built-in control unit equipped with BlueBUS technology, compatible for operation with Solemyo and Opera. Mechanical limit switch on closing.

WalkyKit
pages 36/39

for 1-leaf

→ **WALKY1024KCE**

for 2-leaf

→ **WALKY2024KCE**

Kinds of package

A. Number of pieces per pack.

Products can be purchased either in the quantity indicated or multiples of it.

Code	Description	Pc./Pack	Price €
ON1	1 channel, 433.92 MHz, colour graphite	10	33,60

B. Number of packs per pallet.

(For the products in the mechanical range only) Ordering either this quantity or multiples of it will guarantee the very best ordering conditions and consequently the quickest, easiest dispatch.

Unlike the **pieces per pack** item, this is not the minimum quantity (excluding the kits).

Code	Description	Pack/pallet	Price €
TO4024	Irreversible, 24 Vdc, with magnetic encoder, mechanical stop on opening	20	369,50

Unit price in Euro

(excluding VAT)

Please note some codes have been marked with a star:

it indicates that the price refers to the whole package.

A guide to reading this price list ^

Price List excluding VAT

01.2012

4 11	The Nice World
12 65	Systems for swing gates
66 85	Systems for sliding gates
86 109	Barrier gate operator systems
110 137	Systems for garage and industrial doors
138 179	Control systems
180 205	Accessories
206 225	Control units
226 229	Product code alphabetical index
230	General sale conditions

Nice Total Control

Home integrated solutions.

Ease of use, aesthetic quality, safety.

Nice is easy to offer because it's easy to install and use, thanks to a range of products which links innovation to design:

- 1. technology for the installer**
- 2. comfort for the user**
- 3. simplicity for everyone.**

With Nice, gates, garage doors, blinds and shutters are always under control, as well as lighting and alarm systems.





For alarm systems



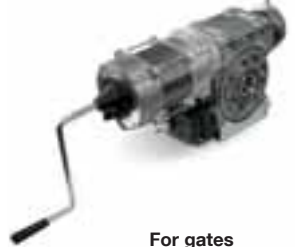
For blinds and rolling shutters



for venetian blinds



For industrial doors



For gates



For garage doors



For road barriers systems



For parking systems



For lighting systems



Nice History



1993

The first transmitters: very Nice!

With Nice, transmitters become an object to show: functional and powerful, but miniaturized and elegant. The transmitter itself, shown in the car or attached to the key ring, becomes the Nice first way of communication which rouses an immediate request through the most powerful media: the word-of-mouth.

1995

Handy design: effortless and with just one hand.

In its first generation of motors Nice conceives unlocking mechanisms made of simple keys, easy to activate with just one hand. There will no longer be any waiting under the rain, physical effort or painstaking research for a key which cannot be found, while getting into the house with your hands full of shopping bags or while carrying a baby.

2003

BUS systems: much more simplicity.

Nice puts on the market the Nice BlueBUS system which changes the concept of automation by making installation really easy and quick: nothing but two wires now connect all system devices, which can be later amplified with the same simplicity. The absence of polarity and the clamps identified by the serigraphies, make the connection even easier and really error-free.

2005

The modular control: choice and rationality.

Nice goes beyond the idea of finished products introducing the concept of modularity: a wide product range available without the problem of the warehouse management. Unique parts, composed in a different way, generate a wide range of "custom-made" solutions: it is the innovative technology of the NiceWay transmitters.



2000
"International Design Gallery" Expo 2000 Hannover



2001
Best of Category "Design for the Environment" XIX Compasso d'Oro



2002
Permanent Collection at The Museum of Design



1999, 2003, 2005
"Intel Design Award"



1999, 2003, 2005
"ADI Design Index"



2005
"Trophée d'Argent" Trophée du Design Batimat



2006
"Innovation Prize" R+T Stuttgart



2007
"Innovation & Design Award" LivinLuce



2008
"Grandesign Etico International Award"



2007

Opera marks the future of the automation.

Anticipating installer requests, Nice presents the innovative Opera system which makes the work for the installer even easier thanks to the remote control of any automation system via PC and PDA, while the end-user can manage home automations via mobile and Smartphone, PC and PDA.

2008

Solemyo: energy in nature!

With Nice, solar power now allows to “move” automations even far away from the electrical loads, avoiding the inconvenience of expensive masonry or unsightly wiring ducts for the control wires. It is the Nice wireless technology: an ecological and smart system, energy-saving.

2009

NiceHome System, security combines with automation.

Nice combines the simplicity and completeness of its control devices with the professionalism of the alarm systems the Group companies have developed according to their 30-year experience. Apart from the alarm system, the user can directly manage up to 16 controls for automations, lighting and electrical loads. Everything with a 100% wireless solution: the maximum safety with the maximum ease.

2011

Nice + FontanaArte: light is movement.

Thanks to the acquisition of FontanaArte, Nice enters the lighting system complementary field with a wide range of integrated home solutions: a new angle and richness to its pursuit of elegance and excellence, to offer an innovative contribution to the needs of everyday life.

FontanaArte S.p.A.

Founded in 1932 by the architect Gio Ponti, FontanaArte is one of the Italian design firms which has “made history in lighting and furnishings” in Italy and around the world. Featuring a design culture which has founded its main concept upon the interplay between technology and beauty, FontanaArte has created a series of timeless objects of splendid shapes and forms, many of which have become design classics on exhibit in some of the world’s most important museums.

www.fontanaarte.com



Nice Headquarters

“Devised by Italian minds, unprovoking yet unmistakable in design, with a sense of movement which transmits and knows how to match technological contents in a playful way”

**Lauro Buoro
Chairman of Nice S.p.A.**

Project by Studio Carlo Dal Bo.

A Nice Place.

A new building, large and functional, to meet the needs of an ever-growing firm, reflecting its international focus and product personality: a training area and a showroom to interact with customers; an auditorium to foster institutional relationships with the world around. At the core of its architecture, Nice has placed the person.

To “feel good” is a priority for Nice: for its staff the company offers gym, sauna, Turkish bath, bar.

Environmentally conscious art installations surround a pond, while the cultivations of the garden change with the seasons: this is the Nice gift to nature.

**Come and discover the Nice world:
www.niceforyou.com**



Nice Centre for Technology

Nice has made significant investments to guarantee even higher quality standards, which not only comply with directives and regulations, but also allow a continuous product improvement.

Through its advanced laboratories Nice carefully tests and controls its products every day in order to grant safety, quality, reliability and durability.

The Nice laboratories complies with ISO 9001 certification, known all over the world for the quality management, besides of being in accordance with EN 17025 standards which set the general requirements for testing labs.

All the Nice CE certified products comply with the relevant European Directives and the leading internationally recognized standards.

The Nice laboratories have been recognized by:

- LCIE (France)
- TÜV Rheinland (Germany)
- Nemko (Norway)
- Cetecom (Germany)
- FCC (USA)
- IC (Canada)
- Intertek (Sweden)

Nice Life



Be Extreme Be Nice

For freedom, for the contact with nature and the need for environmental awareness; for the team effort and the ability to handle the unpredictable,

Nice chooses to invest in the sport of sailing by participating in the forefront of the international Extreme 40 circuit.

... for a world without barriers...



Plasteroid



Golden Fleece



Ofigea

Nice Arts

In the frame of the increasingly need for renewal and changing values in sustainability, Nice contributes defining new scenarios through the promotion of eco-compatible design.

With the “Nice Arts” project in 2010 Nice is ranked among the top 265 in excellence representing Italy at Shanghai World Expo: “Better City, better life”.

Lighting sculptures by **Jacopo Foggini**

Plasteroid
Interni Mutant Architecture & Design, 2011

Golden Fleece
Interni Think Tank, 2010

Ofigea
Interni Green Energy Design, 2008


Golden Fleece and Ofigea are now installed at the Nice Headquarters.

With the “F.e.e.l.” project (For Everyone Everywhere Liberty) Nice promotes activities, initiatives and products which give greater freedom in movement and more individual autonomy even to those who have special needs, such as the elderly and the disabled.



Systems for swing gates

4 11	The Nice World
12 65	Systems for swing gates
66 85	Systems for sliding gates
86 109	Barrier gate operator systems
110 137	Systems for garage and industrial doors
138 179	Control systems
180 205	Accessories
206 225	Control units
226 229	Product code alphabetical index



Surface mounted

20|21 Toona 4
22|23 Toona 5
24|25 Toona 7
26|27 ToonaKit
28|29 WingoKit
30|31 WingoKit 4024
32|33 Wingo5Kit
34|35 WingoKit 5024

**Surface mounted,
with articulated arm**

36|37 WalkyKit 1024
38|39 WalkyKit 2024
40|41 Pop
42|43 PopKit
44|45 PopKit 7124
46|47 Hopp
48|49 HoppKit
50|51 Hyke
52|53 HykeKit
54|55 Hyppo 7000

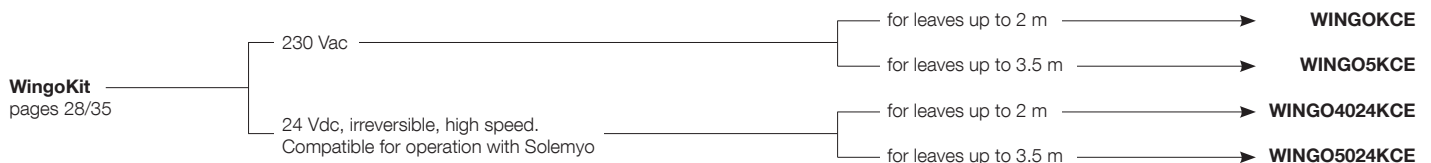
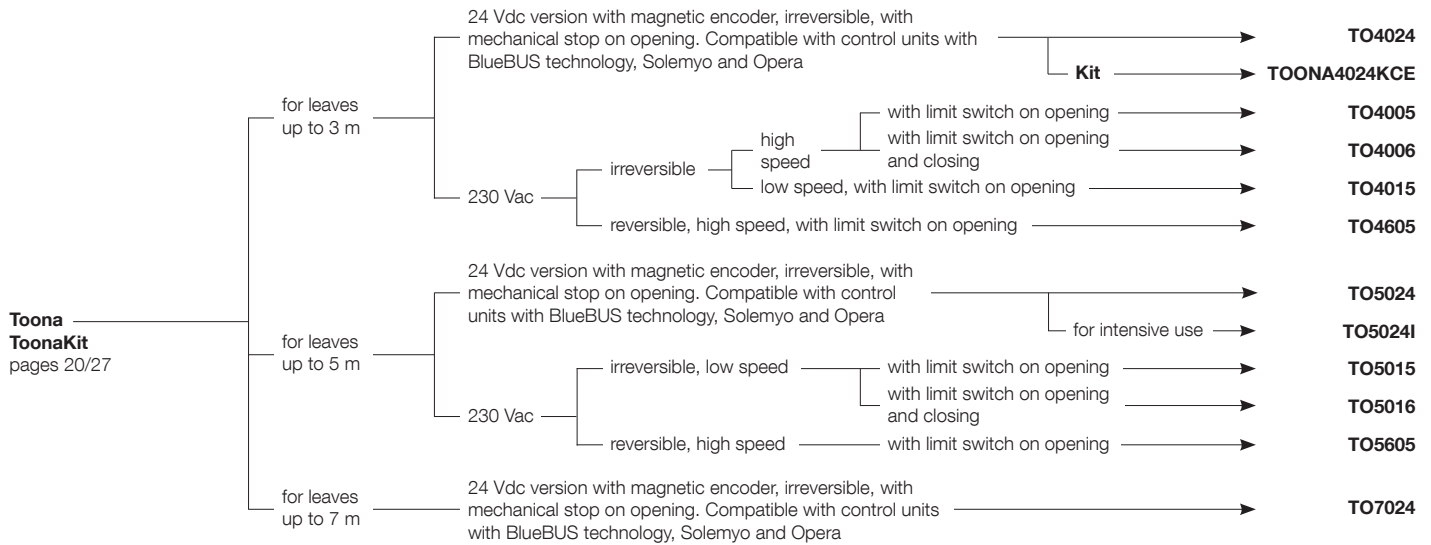
Underground installation

56|57 X-Metro
58|59 X-MetroKit 2024
60|61 X-MetroKit 2124
62|63 Metroplex
64|65 Big-Metro

Nice Selection guide

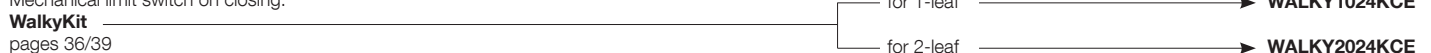
Follow the arrow and choose the right product

Surface mounted, also available in kit



Surface mounted, with articulated arm, recommended for small posts, in kit

For leaves up to 1.8 m, 24 Vdc irreversible with built-in control unit equipped with BlueBUS technology, compatible for operation with Solemyo and Opera.
Mechanical limit switch on closing.



Toona
ToonaKit



WingoKit



WalkyKit

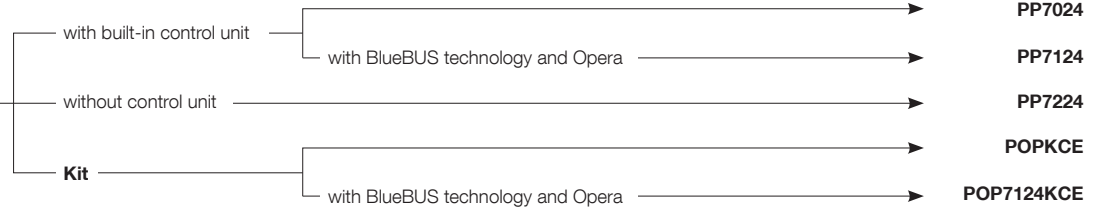


Nice Selection guide

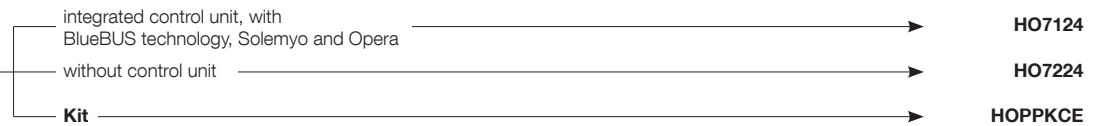
Follow the arrow and choose the right product

Surface mounted, articulated arm, also for large size posts and lightweight structures, also available in kit

For leaves up to 2 m
24 Vdc, irreversible.
Control units compatible
with Solemyo.
With limit switch on opening.
Pop
PopKit
pages 40/45

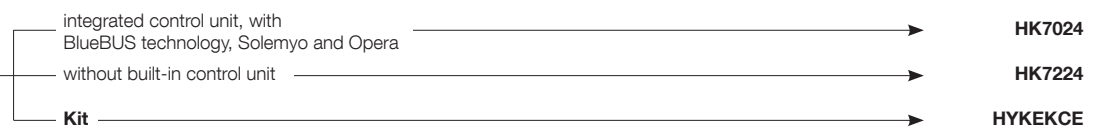


For leaves up to 2,4 m,
24 Vdc, irreversible.
Control units compatible
with Solemyo.
With limit switch on opening.
Hopp
HoppKit
pages 46/49

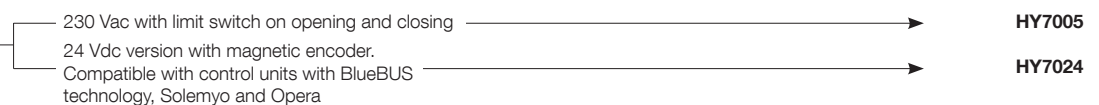


Surface mounted, articulated arm, for large size posts

For leaves up to 3.5 m, 24 Vdc
irreversible with limit switches
on opening and closing.
Hyke
HykeKit
pages 50/53



For leaves up to 3 m,
irreversible.
Hyppo
pages 54/55



Pop
PopKit



Hopp
HoppKit



Hyke
HykeKit



Hyppo



Nice Selection guide

Follow the arrow and choose the right product

Underground installation, ultra compact

For leaves up to 2.3 m, 24 Vdc irreversible, mechanical limit switches on opening and closing.

X-Metro
X-MetroKit
pages 56/61

compatible with control units for operation with Solemyo

with magnetic encoder, compatible with control units using BlueBUS technology, Solemyo and Opera

Kit

Kit

XME2024

XMETRO2024KCE

XME2124

XMETRO2124KCE

Underground installation

For leaves up to 3.5 m irreversible.

Metroplex
pages 62/63

24 Vdc version with magnetic encoder. Compatible with control units with BlueBUS technology, Solemyo and Opera

230 Vac

grease lubrication

oil bath lubrication

high speed

low speed

high speed

ME3024

ME3000

ME3000L

ME3010

For leaves up to 5 m, irreversible, 24 Vdc version with magnetic encoder. Compatible with control units with BlueBUS technology, Solemyo and Opera

Big-Metro
pages 64/65

BM5024

X-Metro
X-MetroKit



Metroplex



Big-Metro





For swing gates with leaves up to 3 m.

Electromechanical gear motor, surface mounted.

Also available in 24 Vdc version, with magnetic encoder.

Ideal for residential use.

Reliable: durability thanks to the housing, made up of two tough aluminium shells with polyester paint finish; more resistant to atmospheric agents.

Internal moving parts completely in steel, light alloys and technopolymers.

Silent: patented layout of internal parts and lead nut in bronze.

Generously sized and practical connection compartment: rapid and easy access from above to internal parts located in the upper section of the motor.

Simple installation and maintenance; with built-in capacitor.

Recommended control units:

Mindy A3, A3F, A6, A6F, A60, A700F; for TO4024 Moonclever MC824H.

24 Vdc version with magnetic encoder.

Perfect for intensive use, compatible with the control unit Moonclever MC824H:

- simple programming, by means of a single key;
- self-learning of opening and closing limit positions;
- automatic fault diagnostics;
- programming of pause time;
- pedestrian pass door;
- deceleration on opening and closing;
- obstacle detection with dual technology;
- operation in event of power failure by means of optional rechargeable batteries (PS324);
- provision for connection of latest generation resistive sensitive edges.

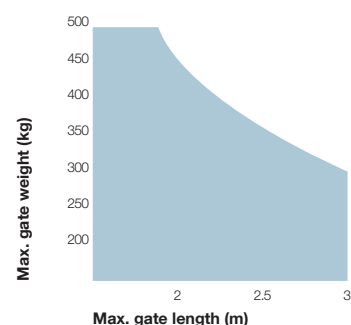
Code	Description	Pack/pallet	Price €
TO4024	Irreversible, 24 Vdc, with magnetic encoder, mechanical stop on opening	20	369,50
TO4005	Irreversible, 230 Vac, high speed, with limit switch on opening	20	370,00
TO4006	Irreversible, 230 Vac, high speed, with limit switch on opening and closing	20	396,50
TO4015	Irreversible, 230 Vac, low speed, with limit switch on opening	20	370,00
TO4605	Reversible, 230 Vac, high speed, with limit switch on opening	20	389,00

Technical specifications

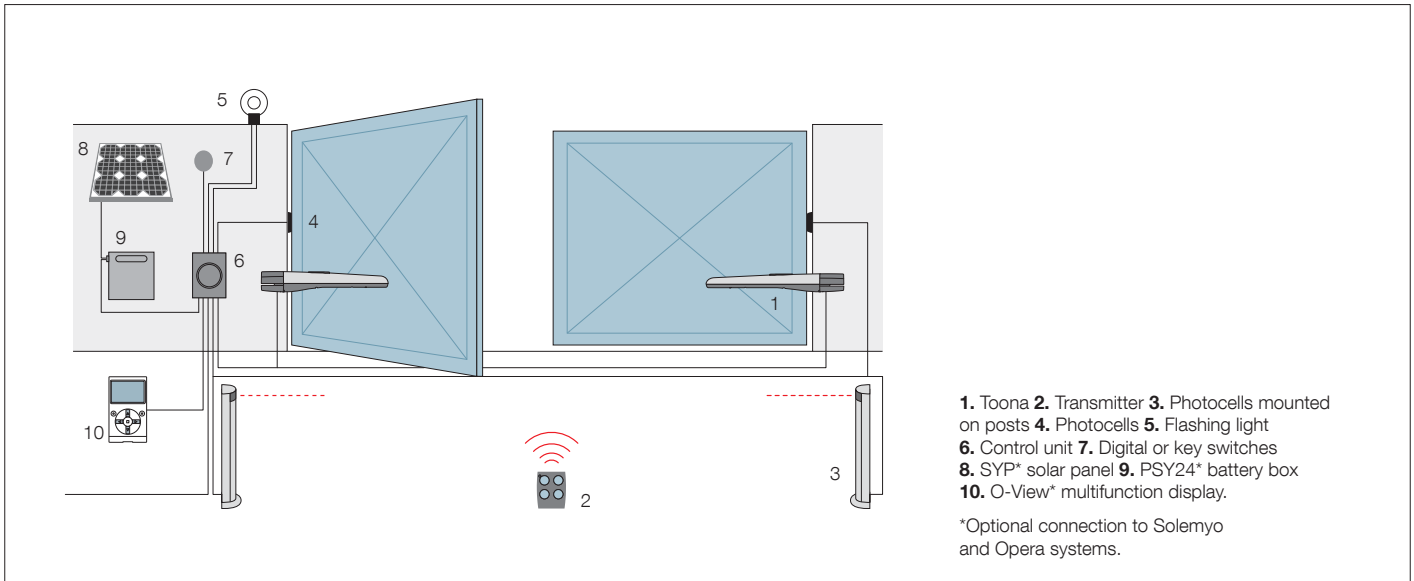
Code	TO4024	TO4005	TO4006	TO4015	TO4605
Electrical data					
Power supply (Vac 50 Hz)*	-	230			
Power supply (Vdc)	24	-			
Absorption (A)	5	1.5		1.3	
Power (W)	120	340		300	
Performance data					
Speed (m/s)	0.016		0.013		0.016
Force (N)	1800				
Work cycle (cycles/hour)	95**	58	54	50	
Dimensional and general data					
Protection level (IP)	44				
Working temp. (°C Min/Max)	-20 ÷ +50				
Dimensions (mm)	820x115x105 h				
Weight (kg)	6				

*60 Hz version available on request. ** With optimal installation.

Utilisation limits



The shape, the height of the gate and the weather conditions can considerably reduce the values shown in the graph to the side. Use in windy areas 230 Vac models.



Accessories

Total interchangeability with the series Moby: identical positions and fixing brackets

PLA6 Rear bracket 250 mm long. Pc/pack 1 € 11,60	PLA14 Screw-adjustable rear bracket. Pc/pack 2 € 29,10*	PLA15 Screw-adjustable front bracket. Pc/pack 2 30,90*	PLA10 Vertical 12 V electric lock (required for gates longer than 3 m). Pc/pack 1 € 136,00	PLA11 Horizontal 12 V electric lock (required for gates longer than 3 m). Pc/pack 1 € 136,00	PLA13 Mechanical travel stops for closing and opening manoeuvres. Pc/pack 4 € 19,00*

Accessory

For 24 Vdc version

TS Signboard. Pc/pack 1 € 3,00	PS324 24 V battery with integrated battery charger. Pc/pack 1 € 111,50

Solemyo system



The solar power kit Solemyo to automate gates, garage doors or barrier gates, including those located far from the power mains and without the need for costly and invasive excavation work. See pages 186/187

Opera system



The innovative Opera system enables the installer to manage, program and control automation systems, also remotely, simply and safely, with significant savings in time. See pages 140/141

* The price refers to the sale pack. Nice recommends customers order products in pallets in order to facilitate storage and delivery, and ensure packs are uniform. The number of packs per single pallet has been specified for this reason. Approximate draft.



For swing gates with leaves up to 5 m.

Electromechanical gear motor, surface mounted.

Also available in 24 Vdc version, with magnetic encoder.

Ideal for residential and industrial use.

Reliable: durability thanks to the housing, made up of two tough aluminium shells with polyester paint finish; more resistant to atmospheric agents.

Internal moving parts completely in steel, light alloys and technopolymers.

Silent: patented layout of internal parts and lead nut in bronze.

Generously sized and practical connection compartment: rapid and easy access from above to internal parts located in the upper section of the motor.

Simple installation and maintenance, with built-in capacitor.

TO5024I ideal for intensive work load, thanks to the torque of 2200 Nm, can work on continuous duty on large sized gates.

Recommended control units:

Mindy A3, A3F, A6, A6F, A60, A700F; for TO5024 and TO5024I Moonclever MC824H.

24 Vdc version with magnetic encoder.

Perfect for intensive use, compatible with the control unit Moonclever MC824H:

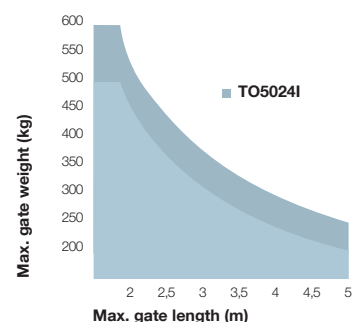
- simple programming, by means of a single key;
- self-learning of opening and closing limit positions;
- automatic fault diagnostics;
- programming of pause time;
- pedestrian pass door;
- deceleration on opening and closing;
- obstacle detection with dual technology;
- operation in event of power failure by means of optional rechargeable batteries (PS324);
- provision for connection of latest generation resistive sensitive edges.

Code	Description	Pack/pallet	Price €
TO5024	Irreversible, 24 Vdc, with magnetic encoder, mechanical stop on opening	20	403,00
TO5024I	Irreversible, 24 Vdc, with magnetic encoder, mechanical stop on opening; for intensive use	20	503,00
TO5015	Irreversible, 230 Vac, low speed, with limit switch on opening	20	396,50
TO5016	Irreversible, 230 Vac, low speed, with limit switch on opening and closing	20	423,50
TO5605	Reversible, 230 Vac, high speed, with limit switch on opening	20	420,00

Technical specifications

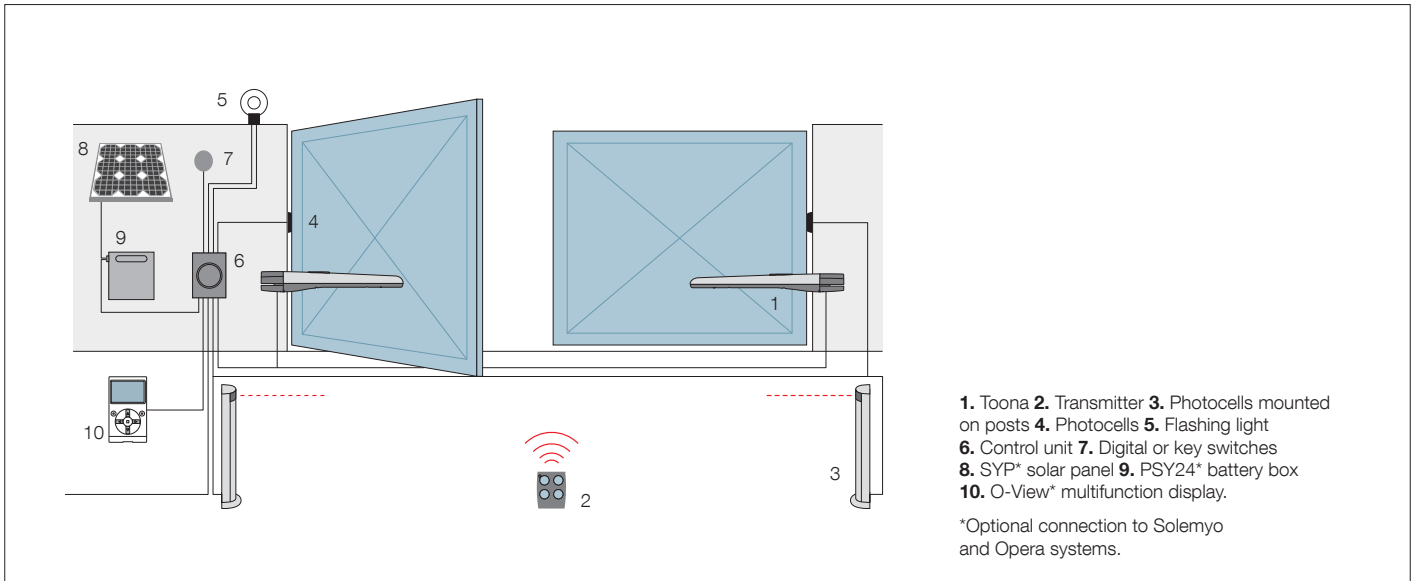
Code	TO5024	TO5024I	TO5015	TO5016	TO5605
Electrical data					
Power supply (Vac 50 Hz)*	-		230		
Power supply (Vdc)	24	-			
Absorption (A)	5	1.5		1.3	
Power (W)	120	340		300	
Performance data					
Speed (m/s)	0.016	0.013		0.016	
Force (N)	1800	2200	1800		
Work cycle (cycles/hour)	95**	75***	54		50
Dimensional and general data					
Protection level (IP)	44				
Working temp. (°C Min/Max)	-20 ÷ +50				
Dimensions (mm)	965x115x105 h				
Weight (kg)	7				

Utilisation limits



The shape, the height of the gate and the weather conditions can considerably reduce the values shown in the graph to the side. Use in windy areas 230 Vac models.

*60 Hz version available on request. ** With optimal installation. *** The reduction in number of manoeuvres with respect to the version TO5024 depends solely on the lower manoeuvre speed.



Accessories

Total interchangeability with the series Moby: identical positions and fixing brackets

PLA6 Rear bracket 250 mm long. Pc/pack 1 € 11,60	PLA8 Screw-adjustable front bracket. Pc/pack 1 € 16,10	PLA10 Vertical 12 V electric lock (required for gates longer than 3 m). Pc/pack 1 € 136,00	PLA11 Horizontal 12 V electric lock (required for gates longer than 3 m). Pc/pack 1 € 136,00	PLA13 Mechanical travel stops for closing and opening manoeuvres. Pc/pack 4 € 19,00*	TS Signboard. Pc/pack 1 € 3,00

Accessory

For 24 Vdc version

PS324
24 V battery
with integrated
battery charger.
Pc/pack 1
€ 111,50

Solemyo system



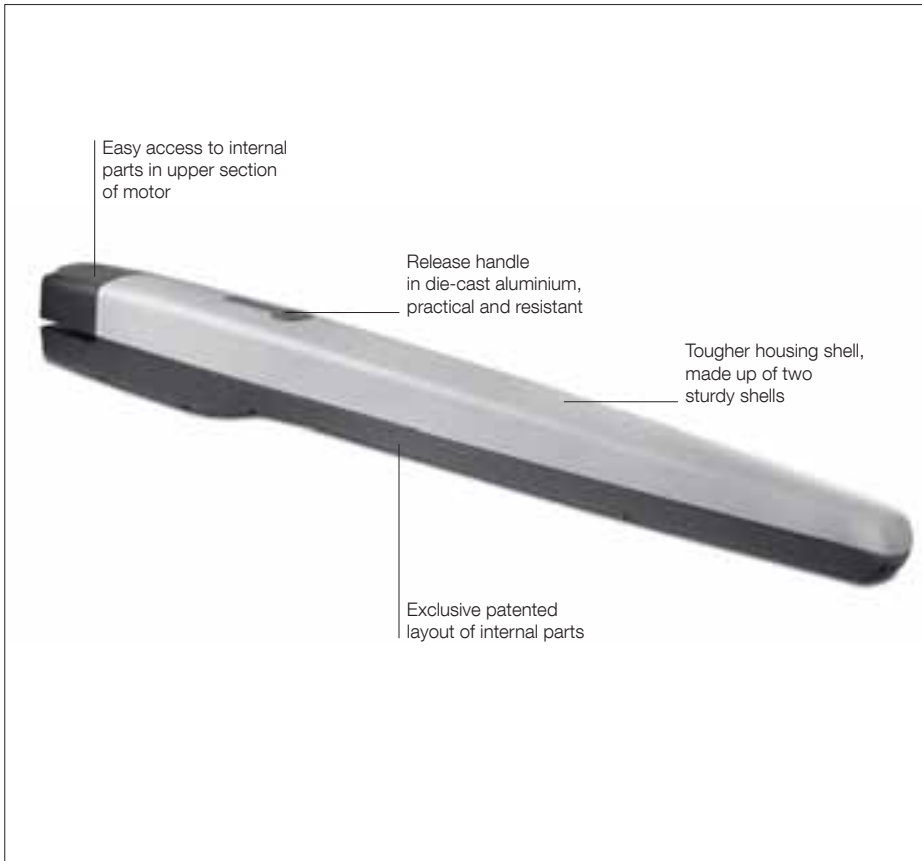
The solar power kit Solemyo to automate gates, garage doors or barrier gates, including those located far from the power mains and without the need for costly and invasive excavation work.
See pages 186/187

Opera system



The innovative Opera system enables the installer to manage, program and control automation systems, also remotely, simply and safely, with significant savings in time.
See pages 140/141

* The price refers to the sale pack. Nice recommends customers order products in pallets in order to facilitate storage and delivery, and ensure packs are uniform. The number of packs per single pallet has been specified for this reason. Approximate draft.



For swing gates with leaves up to 7 m.

Electromechanical gear motor, surface mounted, powered at 24 Vdc, with magnetic encoder. Ideal for industrial installations, designed for intensive use.

Reliable: durability thanks to the housing, made up of two tough aluminium shells with polyester paint finish; more resistant to atmospheric agents.

Internal moving parts completely in steel, light alloys and technopolymers.

Silent: patented layout of internal parts and lead nut in bronze.

Generously sized and practical connection compartment: rapid and easy access from above to internal parts located in the upper section of the motor.

Control unit Moonclever MC824H:

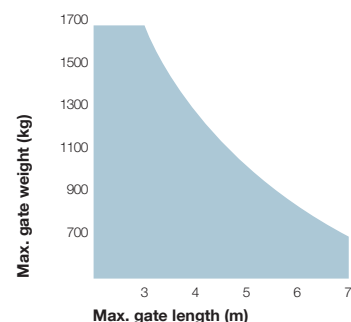
- simple programming, by means of a single key;
- self-learning of opening and closing limit positions;
- automatic fault diagnostics;
- programming of pause time;
- pedestrian pass door;
- deceleration on opening and closing;
- obstacle detection with dual technology;
- operation in event of power failure by means of optional rechargeable batteries (PS324);
- provision for connection of latest generation resistive sensitive edges.

Code	Description	Pack/pallet	Price €
TO7024	Irreversible, 24 Vdc, with magnetic encoder, mechanical stop on opening and closing	20	726,50

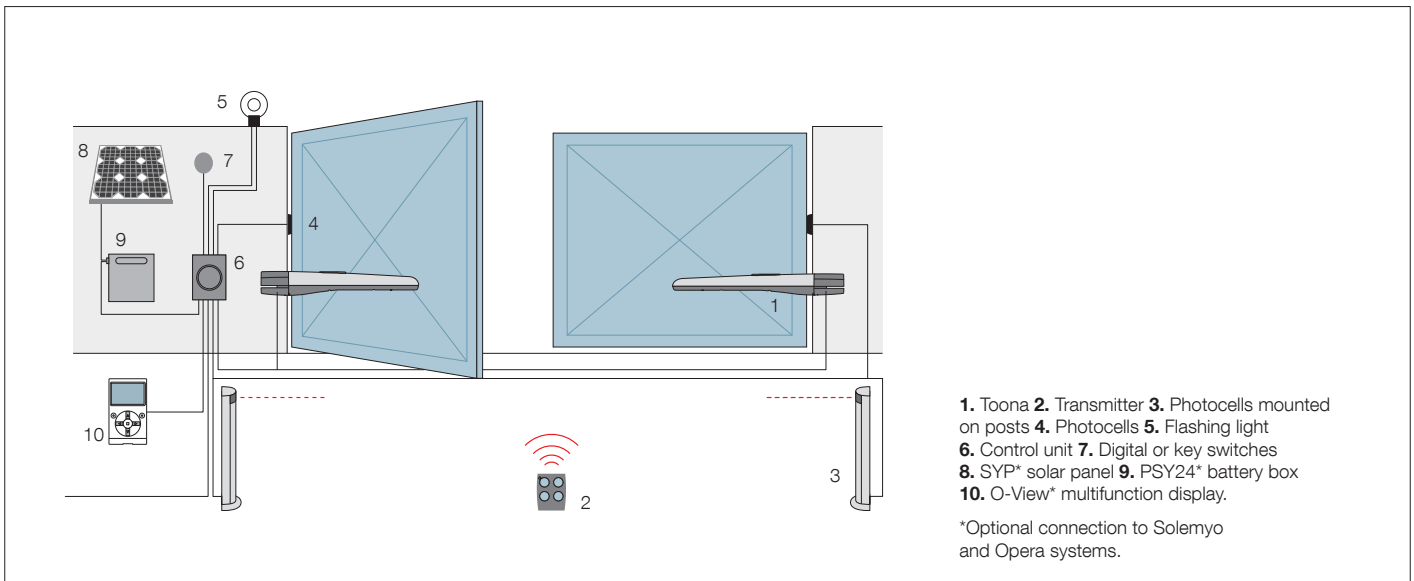
Technical specifications

Code	TO7024
Electrical data	
Power supply (Vac 50 Hz)	-
Power supply (Vdc)	24
Absorption (A)	5
Power (W)	120
Performance data	
Speed (m/s)	0.013
Force (N)	2700
Work cycle (cycles/hour)	41
Dimensional and general data	
Protection level (IP)	44
Working temp. (°C Min/Max)	-20 ÷ +50
Dimensions (mm)	1200x128x150 h
Weight (kg)	15

Utilisation limits



The shape, the height of the gate and the weather conditions can considerably reduce the values shown in the graph to the side.



Accessories



PLA10
 Vertical 12 V electric lock
 (required for gates longer than 3 m).
 Pc/pack 1
€ 136,00



PLA11
 Horizontal 12 V electric lock
 (required for gates longer than 3 m).
 Pc/pack 1
€ 136,00



TS
 Signboard.
 Pc/pack 1
€ 3,00



PS324
 24 V battery
 with integrated
 battery charger.
 Pc/pack 1
€ 111,50

Solemyo system



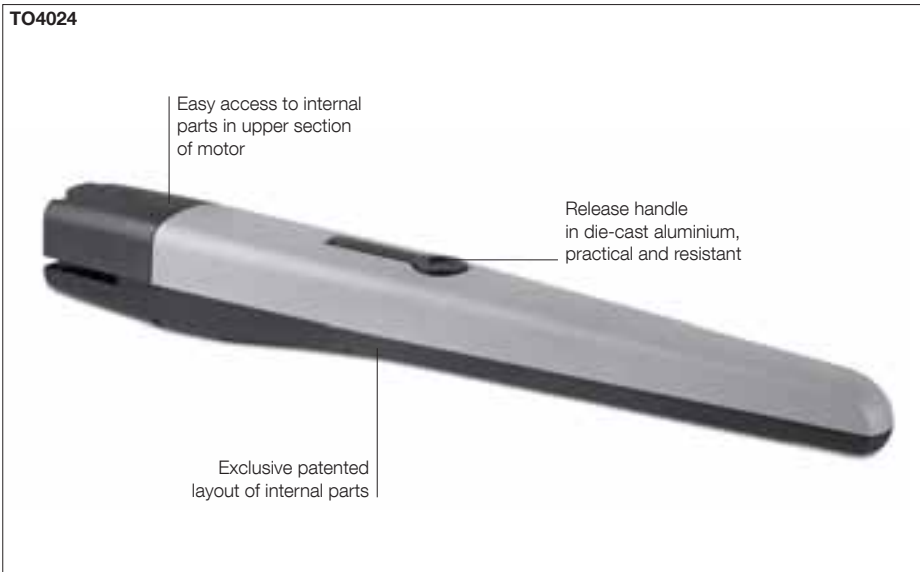
The solar power kit Solemyo to automate gates, garage doors or barrier gates, including those located far from the power mains and without the need for costly and invasive excavation work.
 See pages 186/187

Opera system



The innovative Opera system enables the installer to manage, program and control automation systems, also remotely, simply and safely, with significant savings in time.
 See pages 140/141

* The price refers to the sale pack. Nice recommends customers order products in pallets in order to facilitate storage and delivery, and ensure packs are uniform. The number of packs per single pallet has been specified for this reason. Approximate draft.



For swing gates with leaves up to 3 m, ideal for residential use. Electromechanical gear motor, surface mounted, powered at 24 Vdc, with magnetic encoder.

Reliable: durability thanks to the housing, made up of two tough aluminium shells with polyester paint finish; more resistant to atmospheric agents.

Internal moving parts completely in steel, light alloys and technopolymers.

Silent: patented layout of internal parts and lead nut in bronze.

Generously sized and practical connection compartment: rapid and easy access from above to internal parts located in the upper section of the motor.

Ease of installation and maintenance.

Control unit Moonclever MC824H:

- simple programming, by means of a single key;
- self-learning of opening and closing limit positions;
- automatic fault diagnostics;
- programming of pause time;
- pedestrian pass door;
- deceleration on opening and closing;
- obstacle detection with dual technology;
- operation in event of power failure by means of optional rechargeable batteries (PS324);
- provision for connection of latest generation resistive sensitive edges.



The kit contains:

TO4024 2 electromechanical irreversible gear motors, surface mounted. With mechanical stop on opening.
ON2 1 transmitter 433.92 MHz, 2 channels. **MC824H** 1 control unit with OXI plug-in receiver.
MOFB 1 couple of external photocells designed for connection by Nice BlueBUS.
MOSE 1 key selector switch for outdoor installation. **MLBT** 1 flashing light with integrated aerial.
TS 1 signboard.

Code	Description	Pack/pallet	Price €
TOONA4024KCE	Kit for swing gates with leaves up to 3 m, 24 Vdc, surface mounted	12	1.196,00

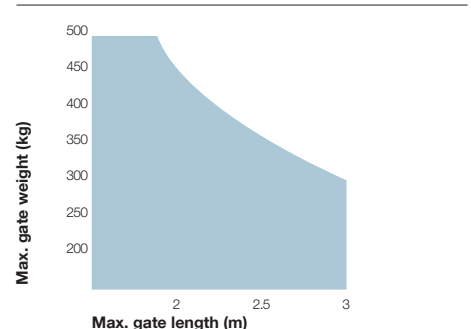
N.B. The content of the package may vary: consult the retailer.

Technical specifications

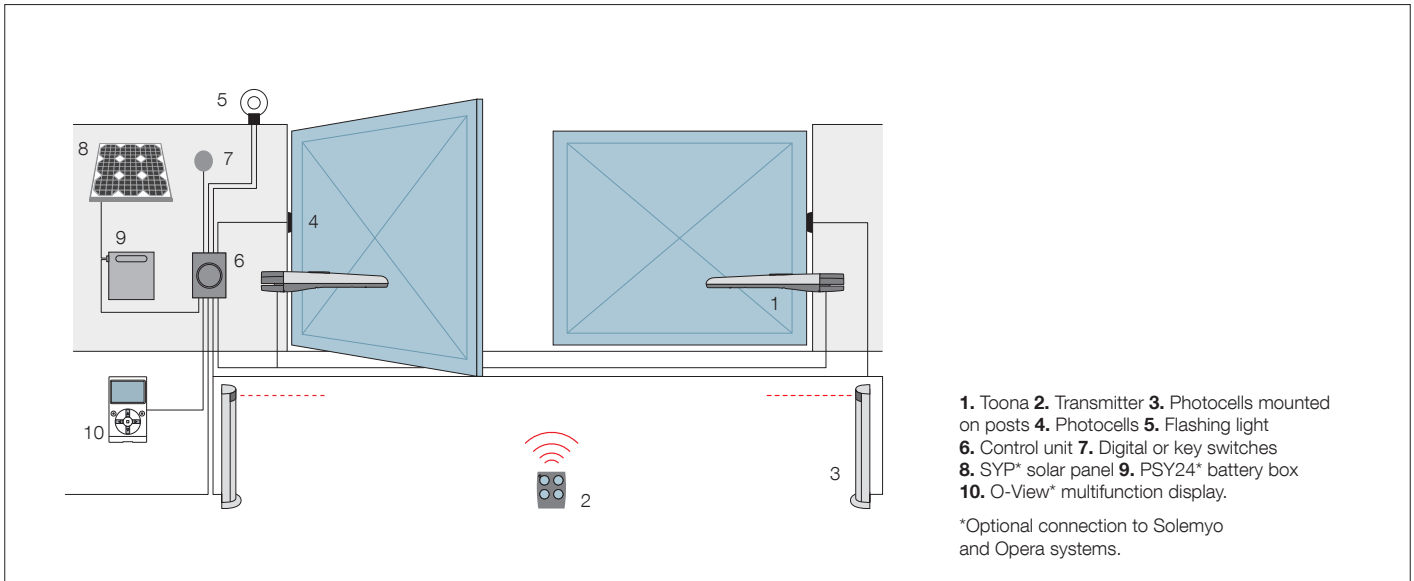
Code	TO4024
Electrical data	
Power supply (Vdc)	24
Absorption (A)	5
Power (W)	120
Performance data	
Speed (m/s)	0.016
Force (N)	1800
Work cycle (cycles/hour)	95*
Dimensional and general data	
Protection level (IP)	44
Working temp. (°C Min/Max)	-20 ÷ +50
Dimensions (mm)	820x115x105 h
Weight (kg)	6

* With optimal installation.

Utilisation limits



The shape, the height of the gate and the weather conditions can considerably reduce the values shown in the graph to the side.



Accessories

Total interchangeability with the series Moby: identical positions and fixing brackets

PLA6 Rear bracket 250 mm long. Pc/pack 1 € 11,60	PLA14 Screw-adjustable rear bracket. Pc/pack 2 € 29,10*	PLA15 Screw-adjustable front bracket. Pc/pack 2 30,90*	PLA10 Vertical 12 V electric lock (required for gates longer than 3 m). Pc/pack 1 € 136,00	PLA11 Horizontal 12 V electric lock (required for gates longer than 3 m). Pc/pack 1 € 136,00	PLA13 Mechanical travel stops for closing and opening manoeuvres. Pc/pack 4 € 19,00*

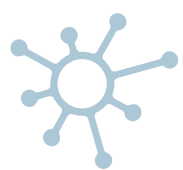
PS324 24 V battery with integrated battery charger. Pc/pack 1 € 111,50

Solemyo system



The solar power kit Solemyo to automate gates, garage doors or barrier gates, including those located far from the power mains and without the need for costly and invasive excavation work. See pages 186/187

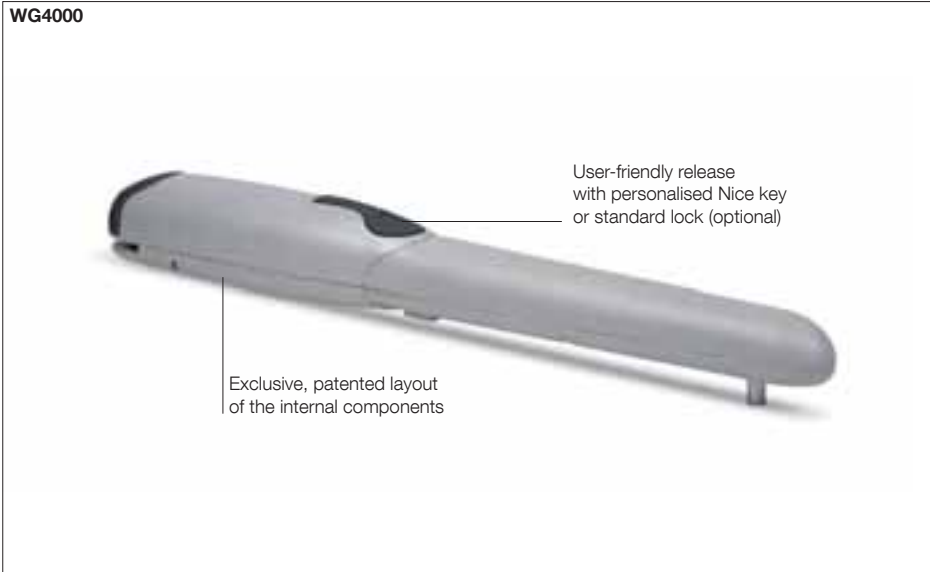
Opera system



The innovative Opera system enables the installer to manage, program and control automation systems, also remotely, simply and safely, with significant savings in time. See pages 140/141



* The price refers to the sale pack. Nice recommends customers order products in pallets in order to facilitate storage and delivery, and ensure packs are uniform. The number of packs per single pallet has been specified for this reason. Approximate draft.



For swing gates with leaves up to 2 m, surface mounted.

- Reliable and silent:** patented layout of internal parts, fewer moving parts.
- Easy to install:** after the gear motor has been assembled, all electrical connections are made from above.
- Built-in capacitor.**
- User-friendly release** with personalised Nice key or standard lock (optional).
- Pre-assembled,** travel stops PLA13 on opening.
- A400 control unit** for 2 motors, microprocessor logic, with obstacle detection system, IP55 case.



The kit contains:
WG4000 2 surface-mounted electromechanical gear motors, with Nice key release.
FLO2R-S 1 transmitter 433.92 MHz, 2 channels. **A400** 1 control unit A400 with SMX1 plug-in receiver.
MOF 1 pair of photocells for outdoor installation. **MOSE** 1 key selector switch for outdoor installation.
MLT 1 flashing light with integrated aerial. **PLA13** 2 travel stops for opening manoeuvres. **TS** 1 signboard.

Code	Description	Pack/pallet	Price €
WINGOKCE	Kit for swing gates with leaves up to 2 m, surface mounted	12	942,00

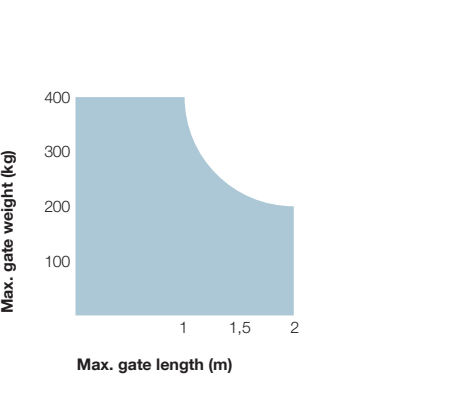
N.B. The content of the package may vary: consult the retailer.

Technical specifications

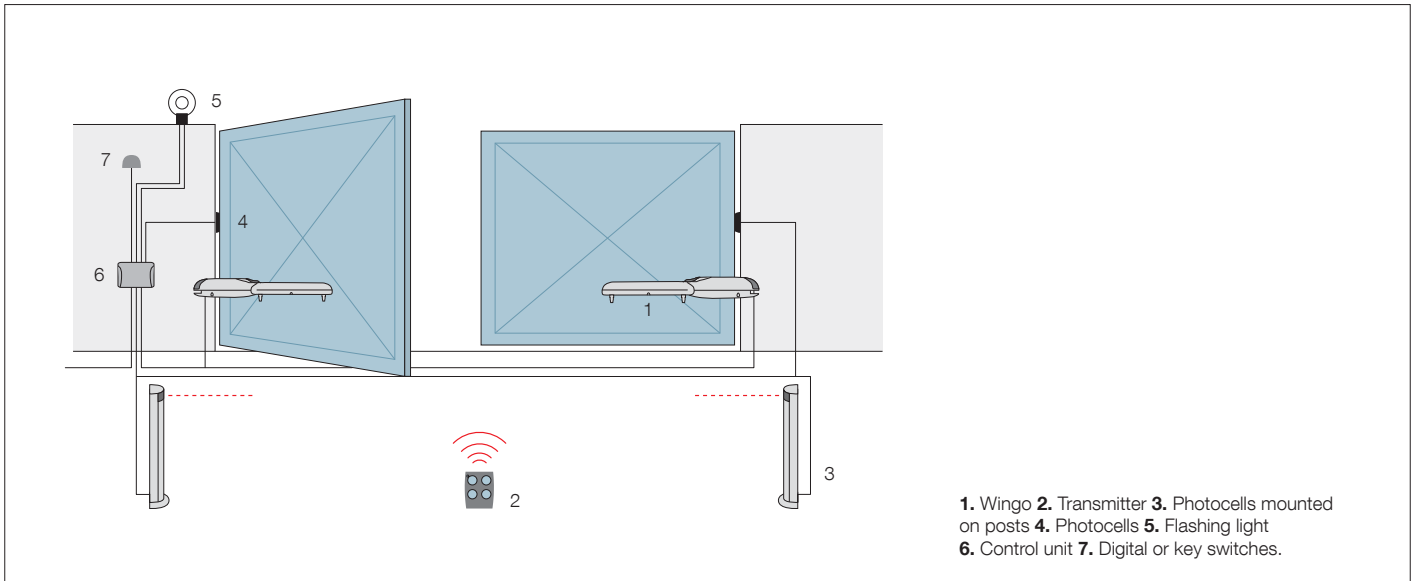
Code	WG4000
Electrical data	
Power supply (Vac 50 Hz)*	230
Absorption (A)	1.5
Power (W)	200
Performance data	
Speed (m/s)	0.016
Force (N)	1500
Work cycle (cycles/hour)	30
Dimensional and general data	
Protection level (IP)	44
Working temp. (°C Min/Max)	-20 ÷ +50
Dimensions (mm)	770x98x95 h
Weight (kg)	6

*60 Hz version available on request.

Utilisation limits



* The price refers to the sale pack. Nice recommends customers order products in pallets in order to facilitate storage and delivery, and ensure packs are uniform. The number of packs per single pallet has been specified for this reason. Approximate draft.



Accessories



PLA14
Screw-adjustable rear bracket.
Pc/pack 2
€ 29,10*



PLA15
Screw-adjustable front bracket.
Pc/pack 2
30,90*



CM-B
Pawl with two metal release keys.
(see spare parts price-list)



PLA13
Mechanical travel stops for closing and opening manoeuvres.
Pc/pack 4
€ 19,00*



WG4024

User-friendly release with personalised Nice key or standard lock (optional)

Exclusive, patented layout of the internal components

Exclusive, patented layout of the internal components

FLO2R-S 	MC424L 	MOF
MOSE 	ML24T 	PLA13 TS

The kit contains:

WG4024 2 surface-mounted electromechanical gear motors, with Nice key release.
FLO2R-S 1 transmitter 433.92 MHz, 2 channels. **MC424L** 1 control unit with SMXI plug-in receiver.
MOF 1 pair of photocells for outdoor installation. **MOSE** 1 key selector switch for outdoor installation.
ML24T 1 flashing light with integrated aerial. **PLA13** 2 travel stops for opening manoeuvres.
TS 1 signboard.

For swing gates with leaves up to 2 m, surface mounted.

24 Vdc electromechanical gear motor.

Reliable and silent:

patented layout of internal parts, fewer moving parts.

Easy to install:

after the gear motor has been assembled, all electrical connections are made from above.

User-friendly release with personalised Nice key or standard lock (optional).

Pre-assembled, travel stops PLA13 on opening.

Moonclever control unit MC424L:

- simple programming, by means of a single key;
- clutch with anti-crush safety feature;
- automatic memorization of limit switches on opening and closing with self-learning function;
- programming of pause time;
- pedestrian pass door;
- deceleration on opening and closing;
- obstacle detection system;
- can be linked to the 8.2 KOhm resistive sensitive edge;
- continues to work even during power failures using optional (PS124) batteries that fit inside the control unit.

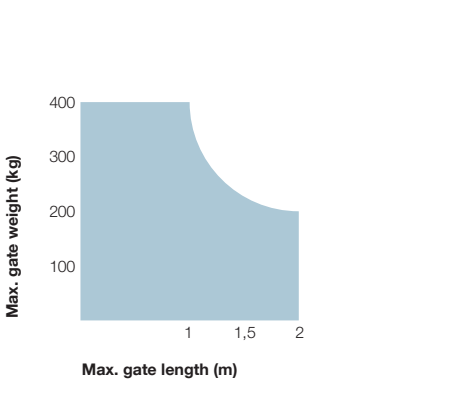
Code	Description	Pack/pallet	Price €
WINGO4024KCE	Kit for swing gates with leaves up to 2 m, 24 Vdc, surface mounted	12	941,50

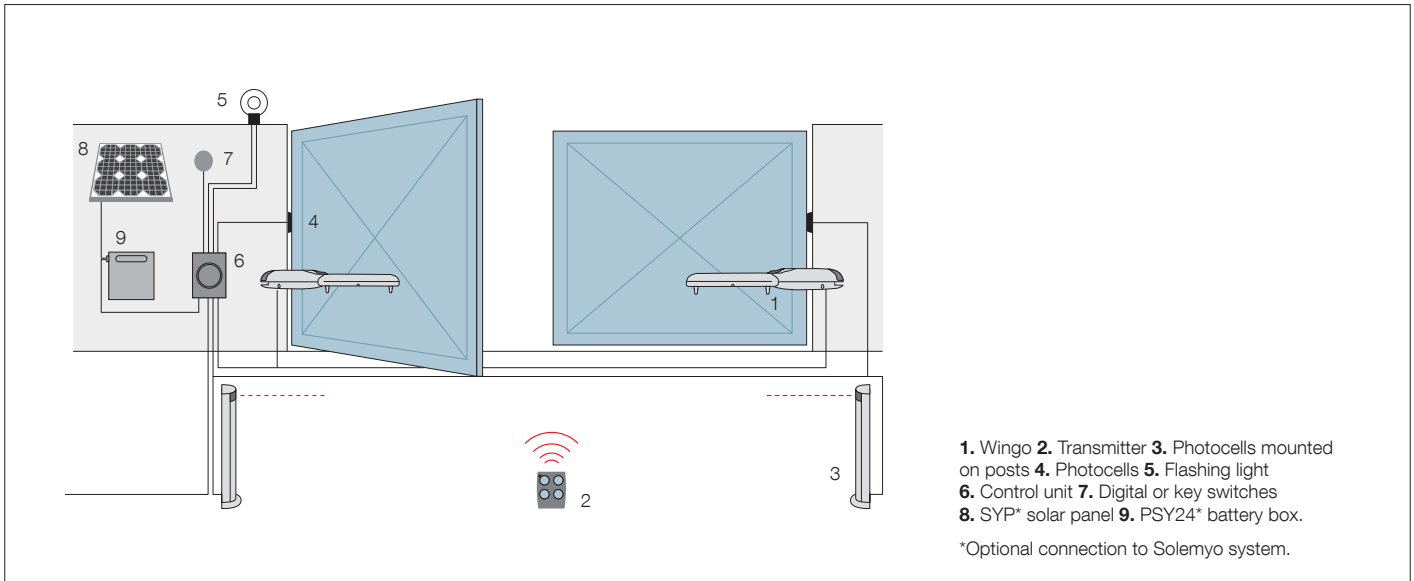
N.B. The content of the package may vary: consult the retailer.

Technical specifications

Code	WG4024
Electrical data	
Power supply (Vdc)	24
Absorption (A)	3.5
Power (W)	85
Performance data	
Speed (m/s)	0.018
Force (N)	1500
Work cycle (cycles/hour)	30
Dimensional and general data	
Protection level (IP)	44
Working temp. (°C Min/Max)	-20 ÷ +50
Dimensions (mm)	770x98x95 h
Weight (kg)	17

Utilisation limits





Accessories



PS124
24 V battery with integrated battery charger.
Pc/pack 1
€ 92,50



PLA14
Screw-adjustable rear bracket.
Pc/pack 2
€ 29,10*



PLA15
Screw-adjustable front bracket.
Pc/pack 2
30,90*



CM-B
Pawl with two metal release keys.
(see spare parts price-list)



PLA10
Vertical 12 V electric lock (required for gates longer than 3 m).
Pc/pack 1
€ 136,00



PLA11
Horizontal 12 V electric lock (required for gates longer than 3 m).
Pc/pack 1
€ 136,00



PLA13
Mechanical travel stops for closing and opening manoeuvres.
Pc/pack 4
€ 19,00*

Solemyo system



The solar power kit Solemyo to automate gates, garage doors or barrier gates, including those located far from the power mains and without the need for costly and invasive excavation work.
See pages 186/187



* The price refers to the sale pack. Nice recommends customers order products in pallets in order to facilitate storage and delivery, and ensure packs are uniform. The number of packs per single pallet has been specified for this reason. Approximate draft.

WG5000



For swing gates with leaves up to 3.5 m, surface mounted.

Reliable and silent:

patented layout of internal parts, fewer moving parts.

Easy to install:

after the gear motor has been assembled, all electrical connections are made from above.

Built-in capacitor.

User-friendly release with personalised Nice key or standard lock (optional).

Pre-assembled, travel stops PLA13 on opening.

A60 control unit for two 230 Vac motors with electronic clutch and slowdown, IP55 casing.



The kit contains:

WG5000 2 surface-mounted electromechanical gear motors, with Nice key release.
FLO2R-S 1 transmitter 433.92 MHz, 2 channels. **A60** 1 control unit A60 with SMXI plug-in receiver.
MOF 1 pair of photocells for outdoor installation. **MOSE** 1 key selector switch for outdoor installation.
MLT 1 flashing light with integrated aerial. **PLA13** 2 travel stops for opening manoeuvres. **TS** 1 signboard.

Code	Description	Pack/pallet	Price €
WINGO5KCE	Kit for swing gates with leaves up to 3.5 m, surface mounted	12	1.125,00

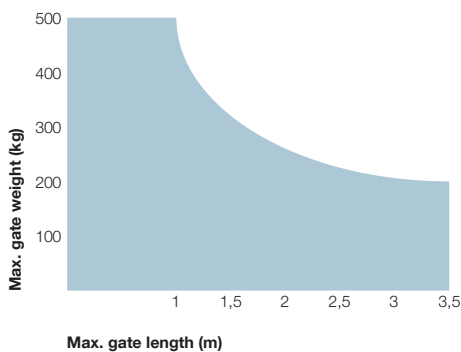
N.B. The content of the package may vary: consult the retailer.

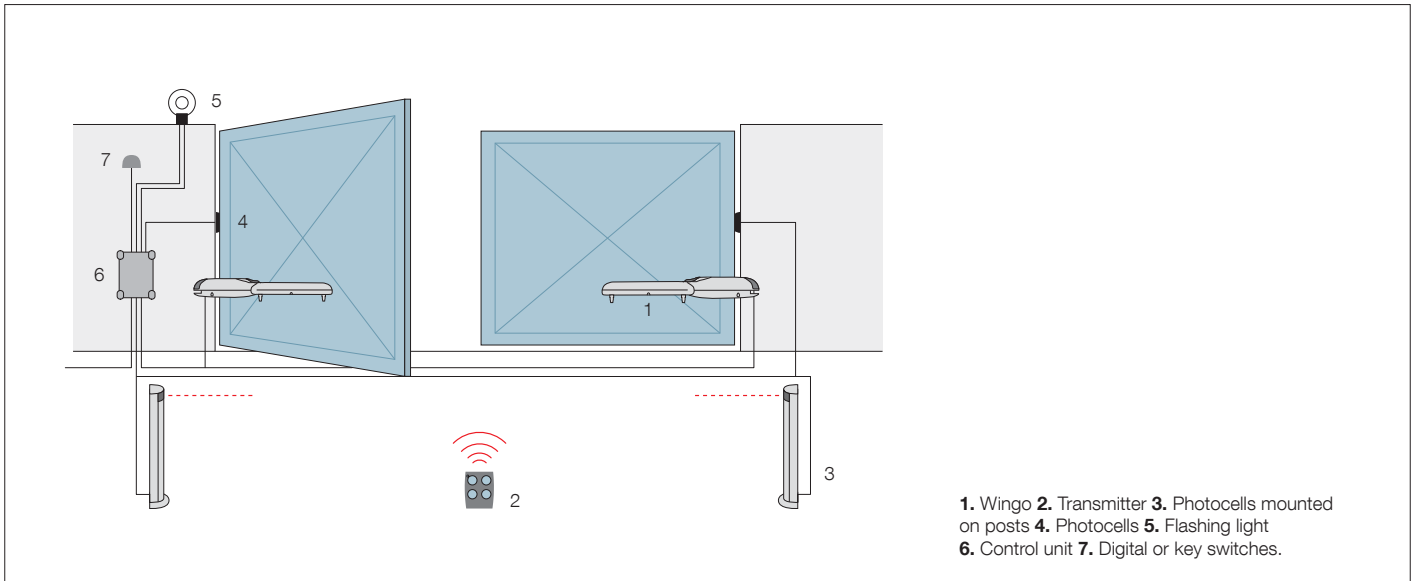
Technical specifications

Code	WG5000
Electrical data	
Power supply (Vac 50 Hz)*	230
Absorption (A)	1.5
Power (W)	200
Performance data	
Speed (m/s)	0.013
Force (N)	1700
Work cycle (cycles/hour)	30
Dimensional and general data	
Protection level (IP)	44
Working temp. (°C Min/Max)	-20 ÷ +50
Dimensions (mm)	920x98x95 h
Weight (kg)	6

*60 Hz version available on request.

Utilisation limits





Accessories



PLA6
Rear bracket
250 mm long.
Pc/pack 1
€ 11,60



PLA8
Screw-adjustable
front bracket.
Pc/pack 1
€ 16,10



CM-B
Pawl with two metal
release keys.
(see spare parts price-list)



PLA10
Vertical 12 V electric lock
(required for gates longer
than 3 m).
Pc/pack 1
€ 136,00



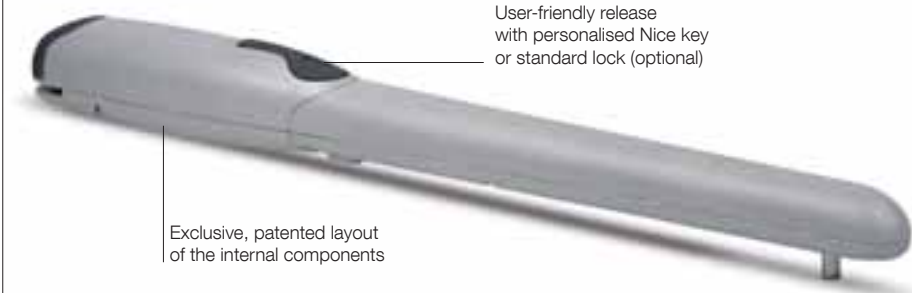
PLA11
Horizontal 12 V electric lock
(required for gates longer
than 3 m).
Pc/pack 1
€ 136,00



PLA13
Mechanical travel stops
for closing and opening
manoeuvres.
Pc/pack 4
€ 19,00*



WG5024



User-friendly release with personalised Nice key or standard lock (optional)

Exclusive, patented layout of the internal components

For swing gates with leaves up to 3.5 m, surface mounted.

24 Vdc electromechanical gear motor.

Reliable and silent:

patented layout of internal parts, fewer moving parts.

Easy to install: after the gear motor has been assembled, all electrical connections are made from above.

User-friendly release with personalised Nice key or standard lock (optional).

Pre-assembled, travel stops PLA13 on opening.

Moonclever control unit MC424L:

- simple programming, by means of a single key;
- clutch with anti-crush safety feature;
- automatic memorization of limit switches on opening and closing with self-learning function;
- programming of pause time;
- pedestrian pass door;
- deceleration on opening and closing;
- obstacle detection system;
- can be linked to the 8.2 KOhm resistive sensitive edge;
- continues to work even during power failures using optional (PS124) batteries that fit inside the control unit.

FLO2R-S



MC424L



MOF



MOSE



ML24T



PLA13 TS



The kit contains:

WG5024 2 surface-mounted electromechanical gear motors, with Nice key release.
FLO2R-S 1 transmitter 433.92 MHz, 2 channels. **MC424L** 1 control unit with SMXI plug-in receiver.
MOF 1 pair of photocells for outdoor installation. **MOSE** 1 key selector switch for outdoor installation.
ML24T 1 flashing light with integrated aerial. **PLA13** 2 travel stops for opening manoeuvres.
TS 1 signboard.

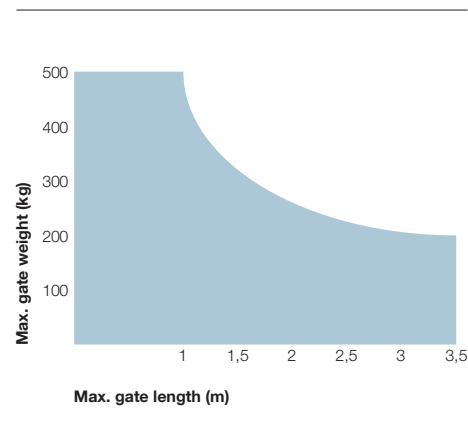
Code	Description	Pack/pallet	Price €
WINGO5024KCE	Kit for swing gates with leaves up to 3.5 m, 24 Vdc, surface mounted	12	1.125,00

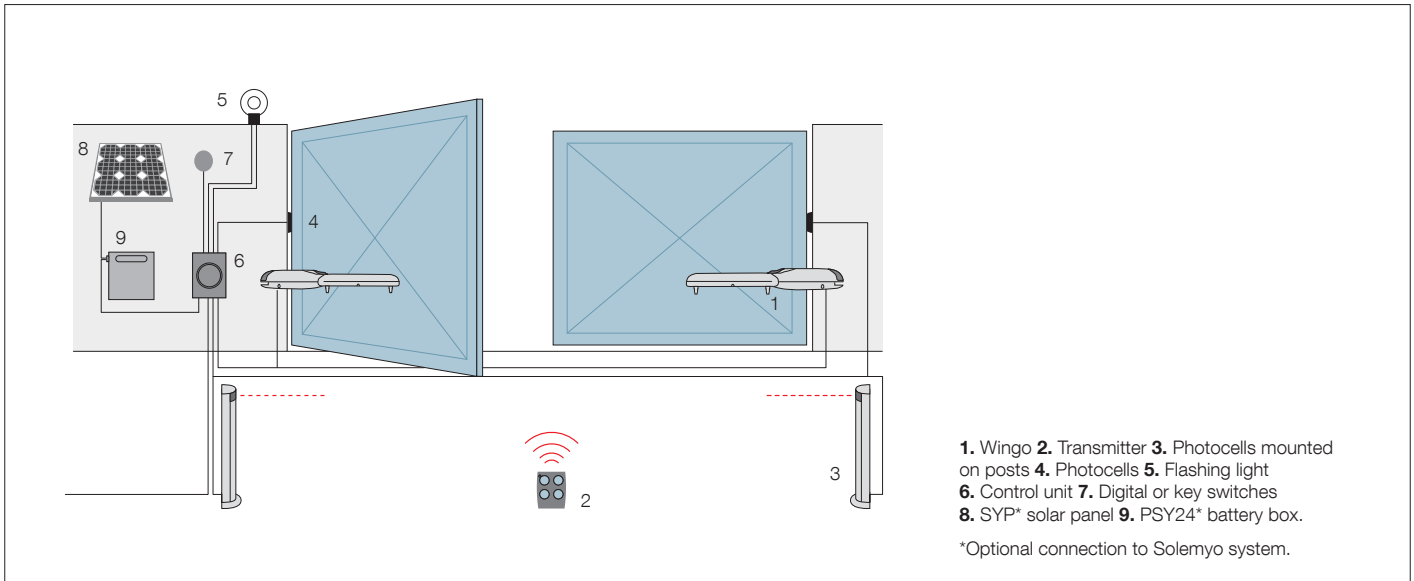
N.B. The content of the package may vary: consult the retailer.

Technical specifications

Code		WG5024
Electrical data		
Power supply (Vdc)		24
Absorption (A)		3.5
Power (W)		85
Performance data		
Speed (m/s)		0.016
Force (N)		1500
Work cycle (cycles/hour)		30
Dimensional and general data		
Protection level (IP)		44
Working temp. (°C Min/Max)		-20 ÷ +50
Dimensions (mm)		920x98x95 h
Weight (kg)		18

Utilisation limits





Accessories

- | | | | | | |
|---|---|---|---|---|---|
| | | | | | |
| <p>PS124
24 V battery with integrated battery charger.
Pc/pack 1
€ 92,50</p> | <p>PLA6
Rear bracket 250 mm long.
Pc/pack 1
€ 11,60</p> | <p>PLA8
Screw-adjustable front bracket.
Pc/pack 1
€ 16,10</p> | <p>CM-B
Pawl with two metal release keys.
(see spare parts price-list)</p> | <p>PLA10
Vertical 12 V electric lock (required for gates longer than 3 m).
Pc/pack 1
€ 136,00</p> | <p>PLA11
Horizontal 12 V electric lock (required for gates longer than 3 m).
Pc/pack 1
€ 136,00</p> |
| | | | | | |
| <p>PLA13
Mechanical travel stops for closing and opening manoeuvres.
Pc/pack 4
€ 19,00*</p> | | | | | |

Solemyo system



The solar power kit Solemyo to automate gates, garage doors or barrier gates, including those located far from the power mains and without the need for costly and invasive excavation work. See pages 186/187



* The price refers to the sale pack. Nice recommends customers order products in pallets in order to facilitate storage and delivery, and ensure packs are uniform. The number of packs per single pallet has been specified for this reason. Approximate draft.

WL1024C

Integrated arm with anti-shear protection and mechanical limit stop on closure



Built-in control unit with provision for battery housing

ON2



TS



The kit contains:

WL1024C 1 electromechanical gear motor, surface mounted, with built-in control unit and OXI plug-in receiver.

ON2 1 transmitter 433.92 MHz, 2 channels.

TS 1 signboard.

For swing gates with leaves up to 1.8 m.

Especially suited to gates in wood or PVC.

Irreversible electromechanical gear motor at 24 Vdc, with articulated arm.

Ultra compact: ideal for pedestrian gates, recommended for small posts (width 8 cm).

Safe: thanks to the irreversible motor and anti-shear arm with built-in mechanical stop on closure (with installation of entire arm).

Practical: the articulated arm enables installation in specific conditions, such as in the presence of small walls or obstacles adjacent to the post.

Quick: no waiting in front of the gate, just 7 seconds to open or close (in optimal installation conditions, with reduced arm and 90° opening).

Convenient: incorporable flashing Led indicator, with courtesy light function (WLT, optional); rapid motor release for manual movement of the gate.

Built-in control unit:

- simple programming;
- self-learning of opening and closing limit positions;
- automatic fault diagnostics;
- programming of pause time;
- pedestrian pass door;
- deceleration on opening and closing;
- provision for connection of latest generation resistive sensitive edges.

No black out: operation in the event of a power failure by means of optional batteries (PS424) housed inside the motor.

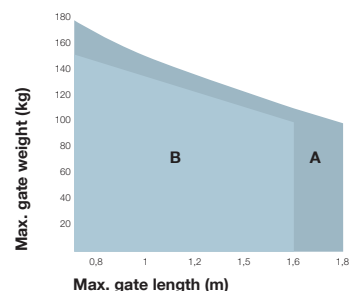
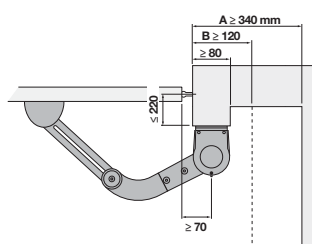
Code	Description	Pack/pallet	Price €
WALKY1024KCE	Kit for swing gates with leaves up to 1.8 m, 24 Vdc, surface mounted	18	562,50

N.B. The content of the package may vary: consult the retailer.

Technical specifications

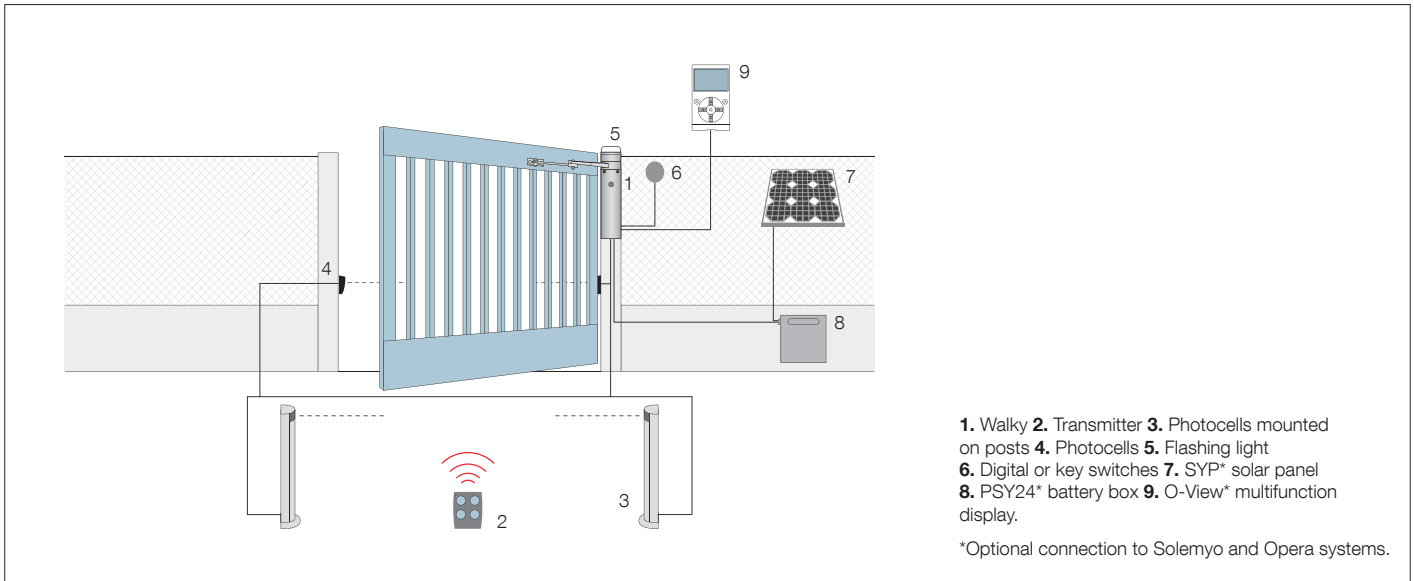
Code	WL1024C
Electrical data	
Power supply (Vac 50/60 Hz)	230
Power supply (Vdc)	-
Absorption (A)	0.8
Power (W)	120
Performance data	
Speed (Rpm)	1.5 - 2.2
Torque (Nm)	120
Work cycle (cycles/hour)	50
Dimensional and general data	
Protection level (IP)	44
Working temp. (°C Min/Max)	-20° ÷ +50°
Dimensions (mm)	90x125x385 h
Weight (kg)	4.8

Utilisation limits



A Entire arm
B Reduced arm

The shape, the height of the gate and the weather conditions can considerably reduce the values shown in the graph to the side.



Accessories



WLA1
Spare control unit, for WL1024C.
(see spare parts price-list)



PS424
Buffer battery.
Pc/pack 1
€ 107,50



PLA10
Vertical 12 V electric lock (required for gates longer than 3 m).
Pc/pack 1
€ 136,00



PLA11
Horizontal 12 V electric lock (required for gates longer than 3 m).
Pc/pack 1
€ 136,00

Wallyght



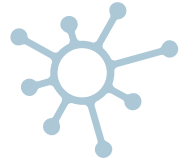
WLT
Multi-function Led indicator.
See pages 203
Pc/pack 1
€ 42,70

Solemyo system



The solar power kit Solemyo to automate gates, garage doors or barrier gates, including those located far from the power mains and without the need for costly and invasive excavation work.
See pages 186/187

Opera system



The innovative Opera system enables the installer to manage, program and control automation systems, also remotely, simply and safely, with significant savings in time.
See pages 140/141





For swing gates with leaves up to 1.8 m.

Especially suited to gates in wood or PVC.

Irreversible electromechanical gear motor at 24 Vdc, with articulated arm.

Ultra compact: ideal for pedestrian gates, recommended for small posts (width 8 cm).

Safe: thanks to the irreversible motor and anti-shear arm with built-in mechanical stop on closure (with installation of entire arm).

Practical: the articulated arm enables installation in specific conditions, such as in the presence of small walls or obstacles adjacent to the post.

Quick: no waiting in front of the gate, just 7 seconds to open or close (in optimal installation conditions, with reduced arm and 90° opening).

Convenient: incorporable flashing Led indicator, with courtesy light function (WLT, optional); rapid motor release for manual movement of the gate.

Built-in control unit:

- simple programming;
- self-learning of opening and closing limit positions;
- automatic fault diagnostics;
- programming of pause time;
- pedestrian pass door;
- deceleration on opening and closing;
- provision for connection of latest generation resistive sensitive edges.

No black out: operation in the event of a power failure by means of optional batteries (PS424) housed inside the motor.

ON2 	MOFB 	MOSE
WLT 	TS 	

The kit contains:

WL1024C + WL1024 2 electromechanical gear motors, surface mounted. WL1024C (with control unit and OXI plug-in receiver), WL1024 (without control unit). **ON2** 1 transmitter 433.92 MHz, 2 channels. **MOFB** 1 couple of external photocells designed for connection by Nice BlueBUS. **MOSE** 1 key selector switch for outdoor installation. **WLT** 1 flashing light. **TS** 1 signboard.

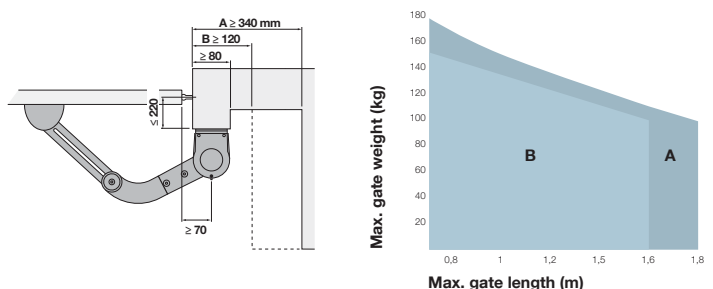
Code	Description	Pack/pallet	Price €
WALKY2024KCE	Kit for swing gates with leaves up to 1.8 m, 24 Vdc, with articulated arm, surface mounted	18	907,50

N.B. The content of the package may vary: consult the retailer.

Technical specifications

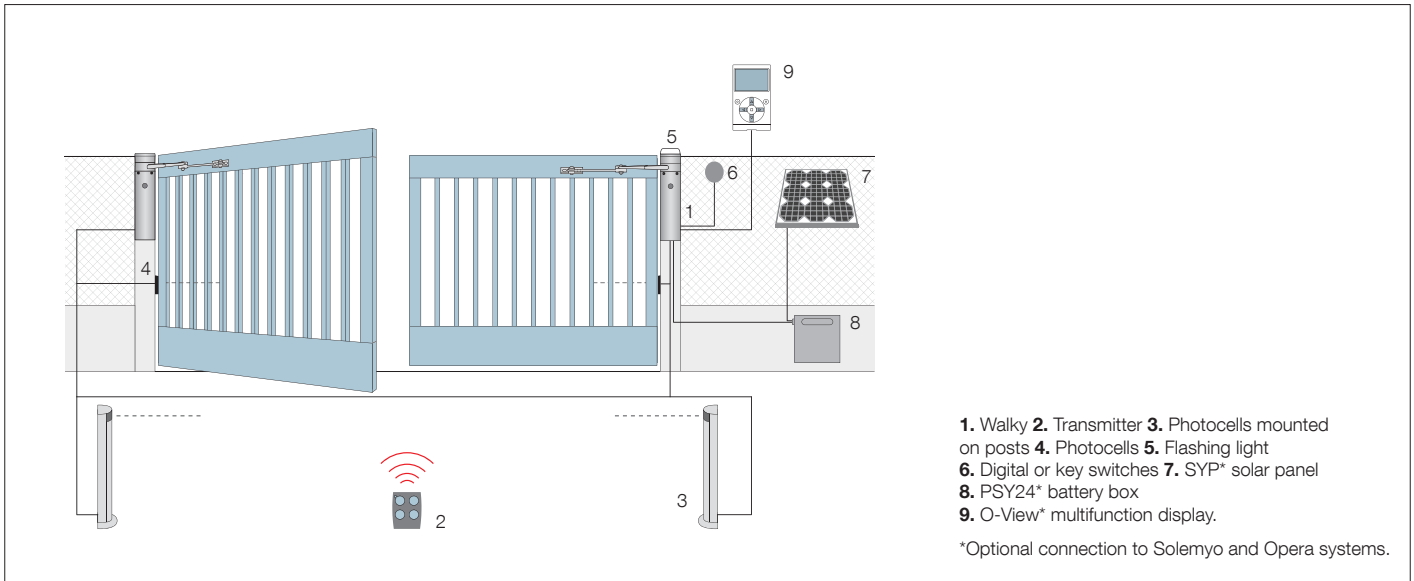
Code	WL1024C	WL1024
Electrical data		
Power supply (Vac 50/60 Hz)	230	-
Power supply (Vdc)	-	24
Absorption (A)	0.8	2
Power (W)	120	30
Performance data		
Speed (Rpm)	1.5 - 2.2	
Torque (Nm)	120	
Work cycle (cycles/hour)	50	
Dimensional and general data		
Protection level (IP)	44	
Working temp. (°C Min/Max)	-20° ÷ +50°	
Dimensions (mm)	90x125x385 h	
Weight (kg)	4.8	4.3

Utilisation limits



A Entire arm
B Reduced arm

The shape, the height of the gate and the weather conditions can considerably reduce the values shown in the graph to the side.



Accessories



WLA1
Spare control unit,
for WL1024C.
(see spare parts price-list)



PS424
Buffer battery.
Pc/pack 1
€ 107,50



PLA10
Vertical 12 V electric lock
(required for gates longer than 3 m).
Pc/pack 1
€ 136,00



PLA11
Horizontal 12 V electric lock
(required for gates longer than 3 m).
Pc/pack 1
€ 136,00

Wallyght



WLT
Multi-function Led
indicator.
See pages 203
Pc/pack 1
€ 42,70

Solemyo system



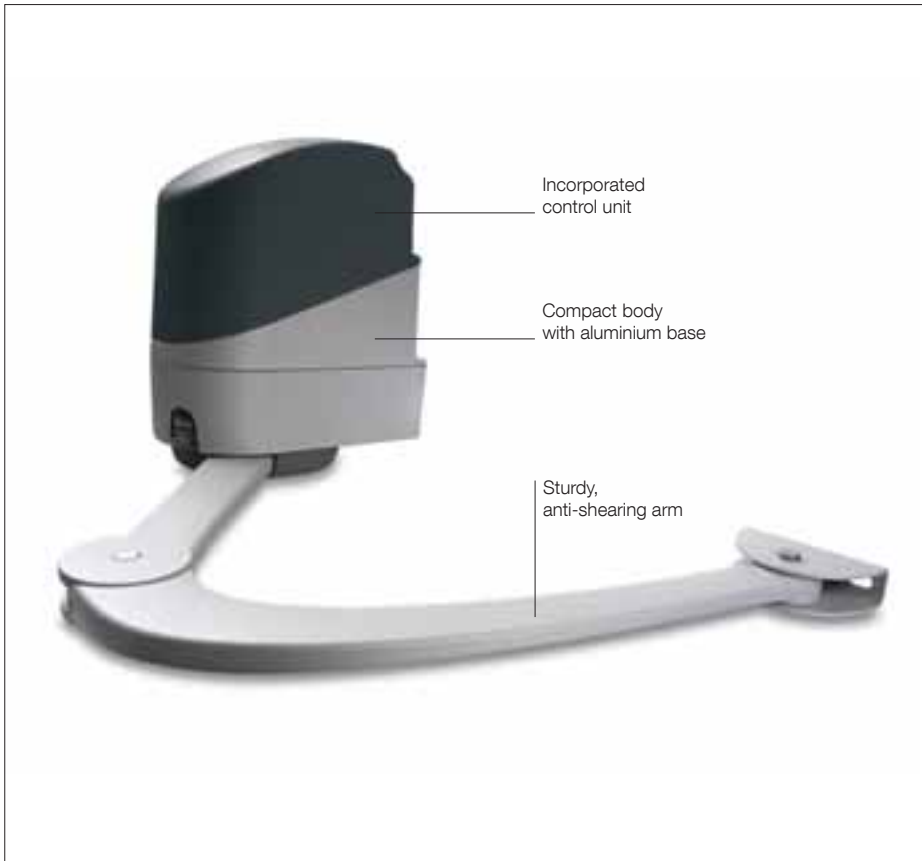
The solar power kit Solemyo to automate gates, garage doors or barrier gates, including those located far from the power mains and without the need for costly and invasive excavation work.
See pages 186/187

Opera system



The innovative Opera system enables the installer to manage, program and control automation systems, also remotely, simply and safely, with significant savings in time.
See pages 140/141





For swing gates with leaves up to 2 m, and versions with large pillars and lightweight structures.

Irreversible electromechanical 24 Vdc gear motor **with articulated arm**, surface mounted. Intensive use.

24 Vdc versions complete with limit switch on opening:

- with built-in control unit, compatible for operation with Solemyo system (PP7024);
- with built-in control unit, compatible for operation with Opera and Solemyo systems and Nice BlueBUS technology (PP7124);
- without control unit (PP7224).

Resistant and compact: 167 mm in width, ideal for any kind of post. Small shockproof body with aluminium base.

Energy saving, respect for the environment, autonomy: 3 standby modes to reduce mains consumption, or battery power consumption if connected to the Solemyo kit.

Powerful: thanks to the 250 Nm torque (in the versions PP7124 or PP7124+PP7224).

No blackout: with the optional batteries (PS124) housed inside the gear motor.

User friendly: release with personalized Nice key, designed for cord-type release.

Easy to install: no welding.

Built-in control unit.

Just 3 keys to facilitate programming:

- deceleration on opening and closing;
- obstacle detection system, can be linked to the 8.2 KOhm resistive sensitive edge, fototest;
- easy option of connecting additional pairs of photocells, foto2 (for PP7124);
- automatic memorization of limit switches on opening and closing with self-learning function;
- programming of pause time;
- pedestrian open and partial open.

Everything under control: thanks to the provision for operation with the Opera BUS T4 system, the O-View control unit can be used to expand the options for programming, control and diagnostics of the automation, both on site and remotely.

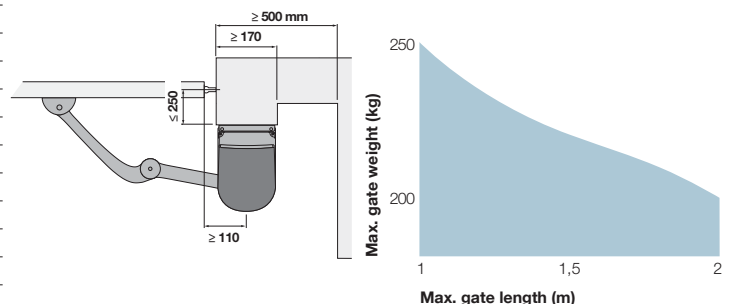
Code	Description	Pack/pallet	Price €
PP7024	Irreversible, 24 Vdc, with articulated arm, with built-in control unit	22	546,00
PP7124	Irreversible, 24 Vdc, with control unit equipped with Nice BlueBUS technology, compatible for operation with Opera and Solemyo	22	582,00
PP7224	Irreversible, 24 Vdc, with articulated arm, without control unit	22	399,00

Technical specifications

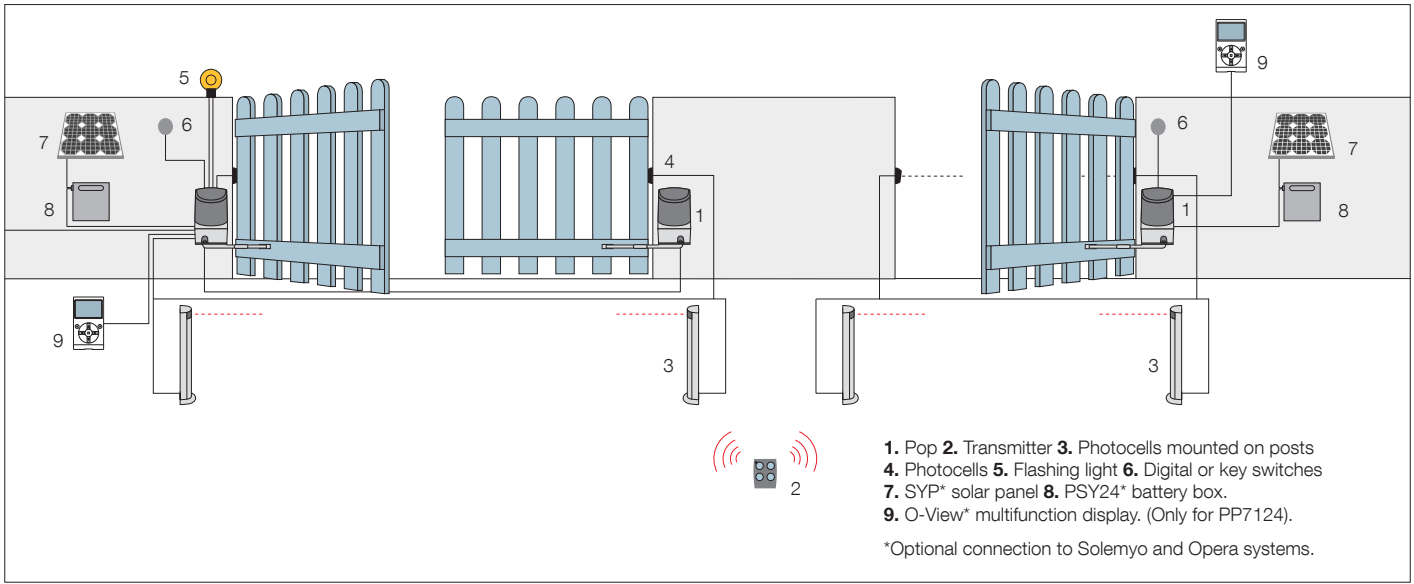
Code	PP7024	PP7124	PP7224*
Electrical data			
Power supply (Vac 50/60 Hz)	230		-
Power supply (Vdc)	-		24
Absorption (A)	1	1,3	3 - 4**
Power (W)	75	280	75 - 100**
Performance data			
Speed (Rpm)	1,68		
Torque (Nm)	180	250	180 - 250**
Work cycle (cycles/hour)	25	35	25 - 35**
Dimensional and general data			
Protection level (IP)	44		
Working temp. (°C Min/Max)	-20 ÷ +50		
Dimensions (mm)	167x254x315 h		
Weight (kg)	10	9	

* Version without control unit ** Only if associated with PP7124

Utilisation limits



The shape, the height of the gate and the weather conditions can considerably reduce the values shown in the graph to the side.



Accessories



POA3
 Spare control unit for PP7124.
 (see spare parts price-list)



POA1
 Spare control unit for PP7024.
 (see spare parts price-list)



PS124
 24 V battery with integrated battery charger.
 Pc/pack 1
€ 92,50



PLA10
 Vertical 12 V electric lock (required for gates longer than 3 m).
 Pc/pack 1
€ 136,00



PLA11
 Horizontal 12 V electric lock (required for gates longer than 3 m).
 Pc/pack 1
€ 136,00



KIO
 Key-operated selector switch for low voltage contacts, with release mechanism for metal cord.
 Pc/pack 1
€ 69,50



KA1
 6 m cable release kit for KIO.
 Pc/pack 1
€ 20,60



TS
 Signboard.
 Pc/pack 1
€ 3,00

Solemyo system



The solar power kit Solemyo to automate gates, garage doors or barrier gates, including those located far from the power mains and without the need for costly and invasive excavation work.
 See pages 186/187

Opera system



The innovative Opera system enables the installer to manage, program and control automation systems, also remotely, simply and safely, with significant savings in time.
 See pages 140/141

P7024 + PP7224



For swing gates with leaves up to 2 m, ideal for large posts and lightweight structures with articulated arm.

Sophisticated electronics: slowdown, obstacle detection system, can be linked to the 8.2 KOhm resistive sensitive edge.

User-friendly: release with personalised Nice key designed for cord-type release.

Sturdy, aluminium, anti-shearing arm.

Powerful: thanks to the 180 Nm torque.

Always ready for use: continues to work even during power failures using optional (PS124) batteries that fit inside the gear motor.

Exclusive functions: photo-test, programmable input for functions such as open, close, photo2, open pedestrian and open partially.

Small shockproof body with aluminium base.

ON2



MOF



ML24T



The kit contains:

PP7024 + PP7224 2 surface-mounted electromechanical gear motors, PP7024 (with incorporated control unit and OXI plug-in receiver), PP7224 (without control unit). **ON2** 1 transmitter 433.92 MHz, 2 channels. **MOF** 1 pair of photocells for outdoor installation. **ML24T** 1 flashing light with integrated aerial.

Code	Description	Pack/pallet	Price €
POPKCE	Kit for swing gates with leaves up to 2 m, with articulated arm	12	1.035,50

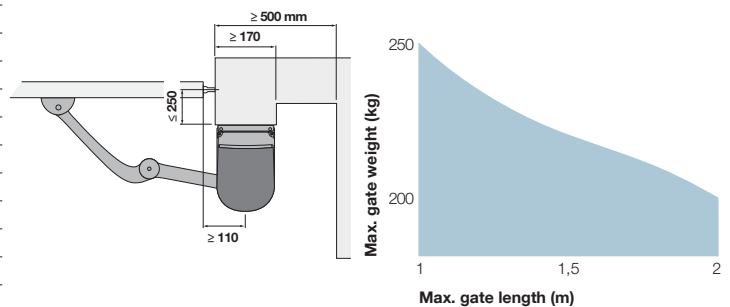
N.B. The content of the package may vary: consult the retailer.

Technical specifications

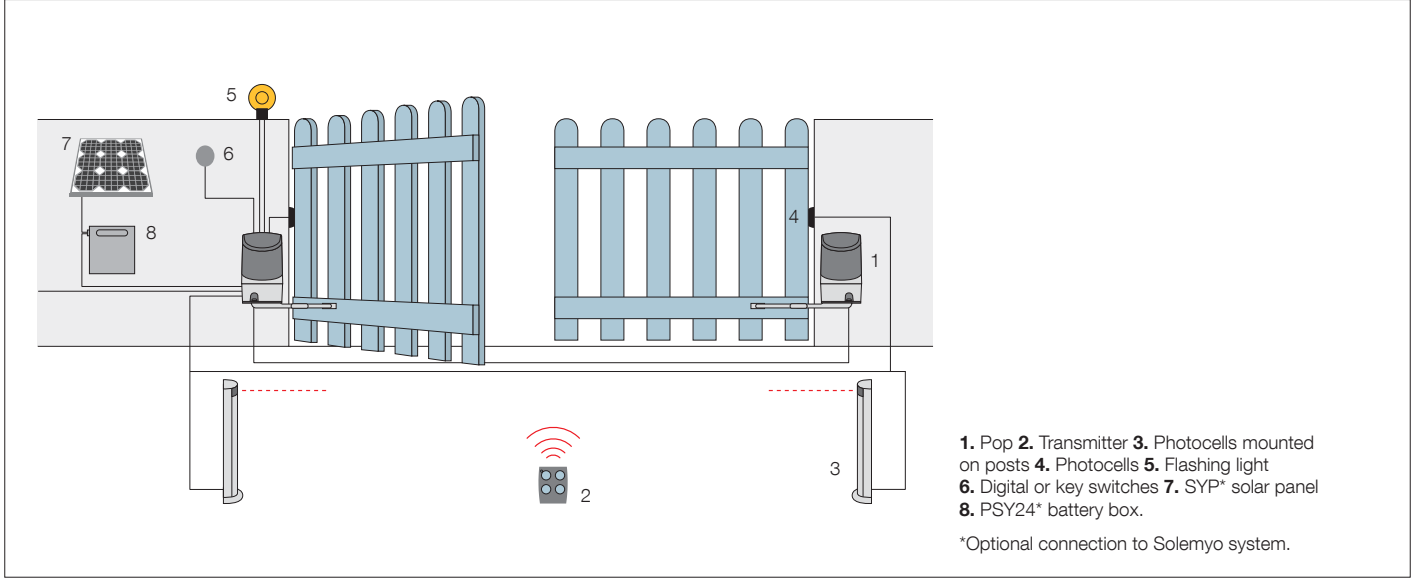
Code	PP7024	PP7224*
Electrical data		
Power supply (Vac 50/60 Hz)	230	-
Power supply (Vdc)	-	24
Absorption (A)	1	3
Power (W)	75	
Performance data		
Speed (Rpm)	1.68	
Torque (Nm)	180	
Work cycle (cycles/hour)	25	
Dimensional and general data		
Protection level (IP)	54	
Working temp. (°C Min/Max)	-20 ÷ +50	
Dimensions (mm)	167x254x315 h	
Weight (kg)	10	

* Version without control unit.

Utilisation limits



The shape, the height of the gate and the weather conditions can considerably reduce the values shown in the graph to the side.



Accessories



POA1
Spare control unit for PP7024.
(see spare parts price-list)



PS124
24 V battery with integrated battery charger.
Pc/pack 1
€ 92,50



PLA10
Vertical 12 V electric lock (required for gates longer than 3 m).
Pc/pack 1
€ 136,00



PLA11
Horizontal 12 V electric lock (required for gates longer than 3 m).
Pc/pack 1
€ 136,00



KIO
Key-operated selector switch for low voltage contacts, with release mechanism for metal cord.
Pc/pack 1
€ 69,50



KA1
6 m cable release kit for KIO.
Pc/pack 1
€ 20,60



TS
Signboard.
Pc/pack 1
€ 3,00

Solemyo system



The solar power kit Solemyo to automate gates, garage doors or barrier gates, including those located far from the power mains and without the need for costly and invasive excavation work.
See pages 186/187



* The price refers to the sale pack. Nice recommends customers order products in pallets in order to facilitate storage and delivery, and ensure packs are uniform. The number of packs per single pallet has been specified for this reason. Approximate draft.

PP7124 + PP7224



For swing gates with leaves up to 2 m, ideal for large posts and lightweight structures.

Irreversible electromechanical 24 Vdc gear motor with articulated arm, surface mounted. Intensive use.

Resistant and compact: 167 mm in width, ideal for any kind of post. Small shockproof body with aluminium base.

Energy saving, respect for the environment, autonomy: 3 standby modes to reduce mains consumption, or battery power consumption if connected to the Solemyo kit.

Powerful: thanks to the 250 Nm torque.

Sturdy, aluminium, anti-shearing arm.

No blackout: with the optional batteries (PS124) housed inside the gear motor.

User friendly: release with personalized Nice key, designed for cord-type release.

Easy to install: no welding.

Built-in control unit equipped (PP7124) with Nice BlueBUS technology and compatible for operation with Opera and Solemyo.

Just 3 keys to facilitate programming:

- deceleration on opening and closing;
- obstacle detection system, can be linked to the 8.2 KOhm resistive sensitive edge, fototest;
- easy option of connecting additional pairs of photocells, foto2 (for PP7124);
- automatic memorization of limit switches on opening and closing with self-learning function;
- programming of pause time;
- pedestrian open and partial open.

Everything under control: thanks to the provision for operation with the Opera BUS T4 system, the O-View control unit can be used to expand the options for programming, control and diagnostics of the automation, both on site and remotely.

ON2



MOFB



MLBT



The kit contains:

PP7124 + PP7224 2 surface-mounted electromechanical gear motors, PP7124 (with built-in control unit and OXI plug-in receiver), PP7224 (without control unit). **ON2** 1 transmitter 433.92 MHz, 2 channels.

MOFB 1 couple of external photocells designed for connection by Nice BlueBUS.

MLBT 1 flashing light with integrated aerial.

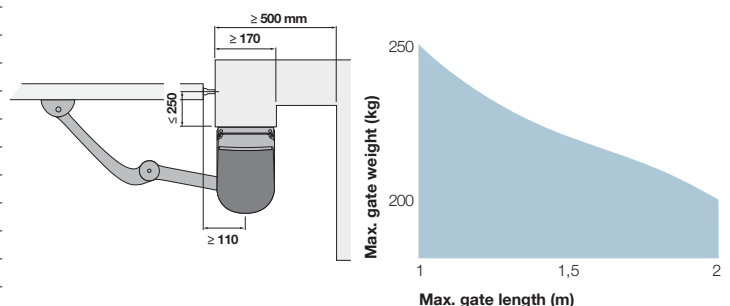
Code	Description	Pack/pallet	Price €
POP7124KCE	Kit for swing gates with leaves up to 2 m, 24 Vdc, surface mounted	12	1.060,00

N.B. The content of the package may vary: consult the retailer.

Technical specifications

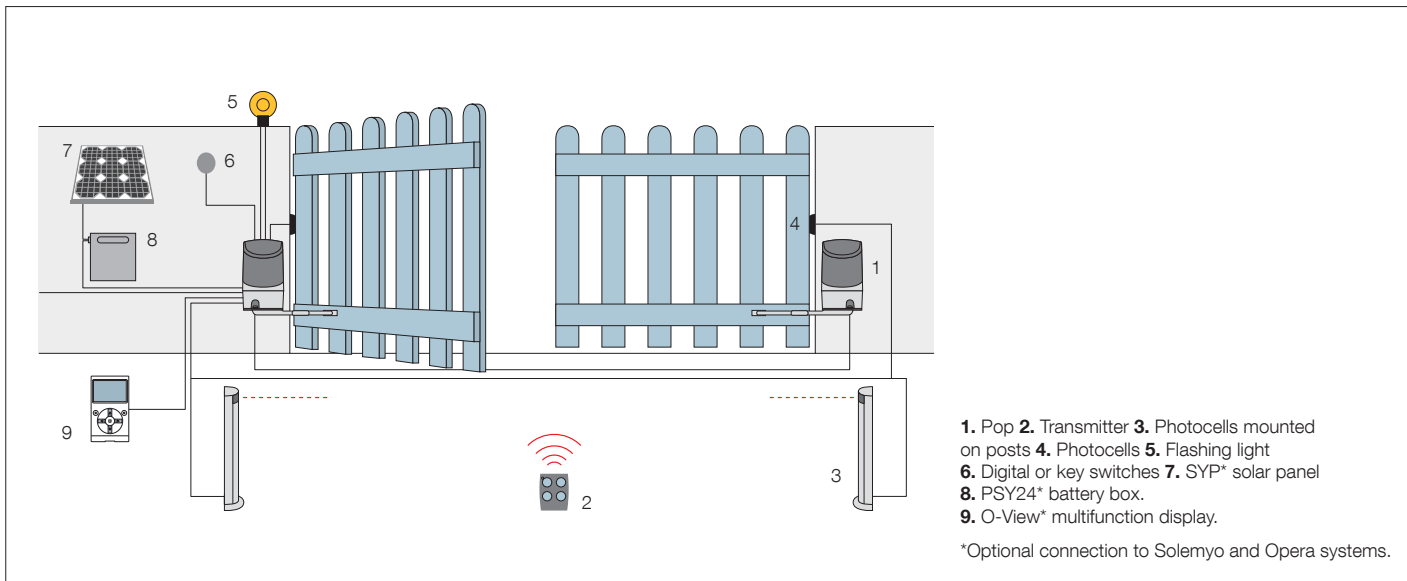
Code	PP7124	PP7224*
Electrical data		
Power supply (Vac 50/60 Hz)	230	-
Power supply (Vdc)	-	24
Absorption (A)	1.3	4*
Power (W)	280	100*
Performance data		
Speed (Rpm)	1.68	
Torque (Nm)	250	250*
Work cycle (cycles/hour)	35	35*
Dimensional and general data		
Protection level (IP)	44	
Working temp. (°C Min/Max)	-20 ÷ +50	
Dimensions (mm)	167x254x315 h	
Weight (kg)	10	9

Utilisation limits



The shape, the height of the gate and the weather conditions can considerably reduce the values shown in the graph to the side.

* Version without control unit, only if associated with PP7124



1. Pop 2. Transmitter 3. Photocells mounted on posts 4. Photocells 5. Flashing light 6. Digital or key switches 7. SYP* solar panel 8. PSY24* battery box. 9. O-View* multifunction display.
*Optional connection to Solemyo and Opera systems.

Accessories



POA3
Spare control unit for PP7124.
(see spare parts price-list)



PS124
24 V battery with integrated battery charger.
Pc/pack 1
€ 92,50



PLA10
Vertical 12 V electric lock (required for gates longer than 3 m).
Pc/pack 1
€ 136,00



PLA11
Horizontal 12 V electric lock (required for gates longer than 3 m).
Pc/pack 1
€ 136,00



KIO
Key-operated selector switch for low voltage contacts, with release mechanism for metal cord.
Pc/pack 1
€ 69,50



KA1
6 m cable release kit for KIO.
Pc/pack 1
€ 20,60



TS
Signboard.
Pc/pack 1
€ 3,00

Solemyo system



The solar power kit Solemyo to automate gates, garage doors or barrier gates, including those located far from the power mains and without the need for costly and invasive excavation work.
See pages 186/187

Opera system



The innovative Opera system enables the installer to manage, program and control automation systems, also remotely, simply and safely, with significant savings in time.
See pages 140/141



* The price refers to the sale pack. Nice recommends customers order products in pallets in order to facilitate storage and delivery, and ensure packs are uniform. The number of packs per single pallet has been specified for this reason. Approximate draft.



For swing gates with leaves up to 2.4 m, ideal for large columns. Irreversible electromechanical 24 Vdc gear motor with articulated arm, surface mounted. Ideal for intensive use.

Two irreversible 24 Vdc with micrometric adjustment mechanical stops on opening and closing: with built-in control unit (HO7124) and without control unit (HO7224).

Powerful thanks to the 250 Nm torque.

Resistant and compact: 180 mm in width, ideal for any kind of post. Small shockproof body with aluminium base.

Sturdy, aluminium anti-shearing arm.

Easy to install: thanks to the new fixing bracket with quick connector for the motor. No welding.

Sophisticated electronics with the built-in control unit, just 3 keys to manage all programming operations:

- obstacle detection and possibility of connecting to 8.2 KOhm sensitive edge, fototest;
- automatic fault diagnostics;
- memorisation of opening and closing travel limits in self-learning mode;
- possibility of configuring the stop input in self-learning mode, NO, NC and the latest generation 8.2 KOhm resistive sensitive edges:
- deceleration on opening and closing;
- simple connection of pairs of additional photocells, foto2;
- programming of pause time;
- pedestrian open and partial open;
- clutch with anti-crushing safety mechanism.

Energy saving with no black outs:

3 standby modes to reduce mains consumption, or battery power consumption if connected to the Solemyo kit.

Operation in the event of a power failure thanks to the optional batteries (PS124).

Everything under control: thanks to compatibility for operation with Opera system BUS T4, the unit can be used to expand the options of programming, control and diagnostics of the automation on site and remotely.

Code	Description	Pack/pallet	Price €
HO7124	Irreversible 24 Vdc, complete with articulated arm and built-in control unit	12	565,00
HO7224	Irreversible 24 Vdc, complete with articulated arm without control unit	12	393,50

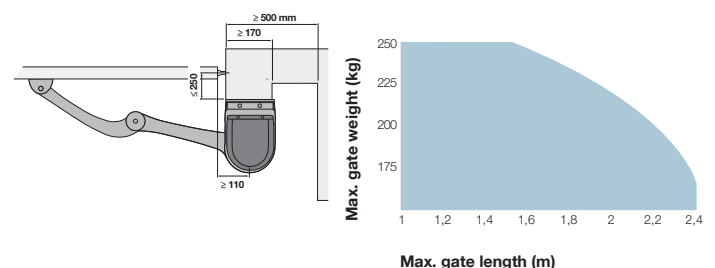
N.B. The content of the package may vary: consult the retailer.

Technical specifications

Code	HO7124	HO7224
Electrical data		
Power supply (Vac 50/60 Hz)	230	-
Power supply (Vdc)	-	24
Absorption (A)	1.3	4
Power (W)	280	100
Performance data		
Speed (Rpm)	1.68	
Torque (Nm)	250	
Work cycle (cycles/hour)	35	
Dimensional and general data		
Protection level (IP)	54	
Working temp. (°C Min/Max)	-20 ÷ +50	
Dimensions (mm)	252x180x290 h	
Weight (kg)	9	6.5

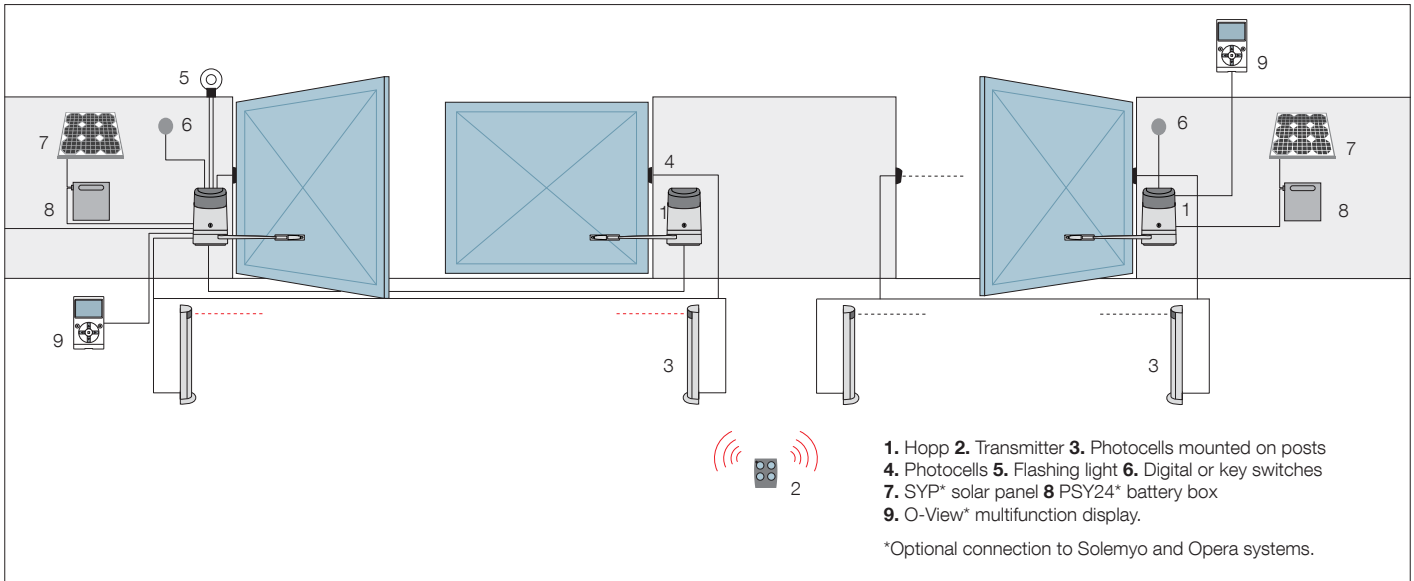
* Version without control unit, only if associated with PP7124

Utilisation limits



Max. gate length (m)

The shape, the height of the gate and the weather conditions can considerably reduce the values shown in the graph to the side.



Accessories



POA3
Spare control unit for HO7174.
(see spare parts price-list)



PS124
24 V battery with integrated battery charger.
Pc/pack 1
€ 92,50



PLA10
Vertical 12 V electric lock (required for gates longer than 3 m).
Pc/pack 1
€ 136,00



PLA11
Horizontal 12 V electric lock (required for gates longer than 3 m).
Pc/pack 1
€ 136,00



KIO
Key-operated selector switch for low voltage contacts, with release mechanism for metal cord.
Pc/pack 1
€ 69,50



KA1
6 m cable release kit for KIO.
Pc/pack 1
€ 20,60



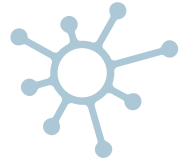
TS
Signboard.
Pc/pack 1
€ 3,00

Solemyo system



The solar power kit Solemyo to automate gates, garage doors or barrier gates, including those located far from the power mains and without the need for costly and invasive excavation work.
See pages 186/187

Opera system



The innovative Opera system enables the installer to manage, program and control automation systems, also remotely, simply and safely, with significant savings in time.
See pages 140/141

* The price refers to the sale pack. Nice recommends customers order products in pallets in order to facilitate storage and delivery, and ensure packs are uniform. The number of packs per single pallet has been specified for this reason. Approximate draft.

HO7124 + HO7224



For swing gates with leaves up to 2.4 m, ideal for large columns.
Irreversible electromechanical 24 Vdc gear motor with articulated arm, surface mounted.
Ideal for intensive use.

Two irreversible 24 Vdc with micrometric adjustment mechanical stops on opening and closing: with built-in control unit (HO7124) and without control unit (HO7224).

Powerful thanks to the 250 Nm torque.

Resistant and compact: 180 mm in width, ideal for any kind of post. Small shockproof body with aluminium base.

Sturdy, aluminium anti-shearing arm.

Easy to install: thanks to the new fixing bracket with quick connector for the motor. No welding.

Sophisticated electronics with the built-in control unit, just 3 keys to manage all programming operations:

- obstacle detection and possibility of connecting to 8.2 KOhm sensitive edge, fototest;
- automatic fault diagnostics;
- memorisation of opening and closing travel limits in self-learning mode;
- possibility of configuring the stop input in self-learning mode, NO, NC and the latest generation 8.2 KOhm resistive sensitive edges;
- deceleration on opening and closing;
- simple connection of pairs of additional photocells, foto2;
- programming of pause time;
- pedestrian open and partial open;
- clutch with anti-crushing safety mechanism.

Energy saving with no black outs:

3 standby modes to reduce mains consumption, or battery power consumption if connected to the Solemyo kit.

Operation in the event of a power failure thanks to the optional batteries (PS124).

Everything under control: thanks to compatibility for operation with Opera system BUS T4, the unit can be used to expand the options of programming, control and diagnostics of the automation on site and remotely.



The kit contains:

HO7124 + HO7224, 2 surface-mounted electromechanical gear motors: HO7124 (with control unit and OXI plug-in receiver), HO7224 (without control unit). **ON2** 1 transmitter 433.92 MHz, 2 channels. **MOFB** 1 couple of external photocells designed for connection by Nice BlueBUS. **MLBT** 1 flashing light with integrated aerial.

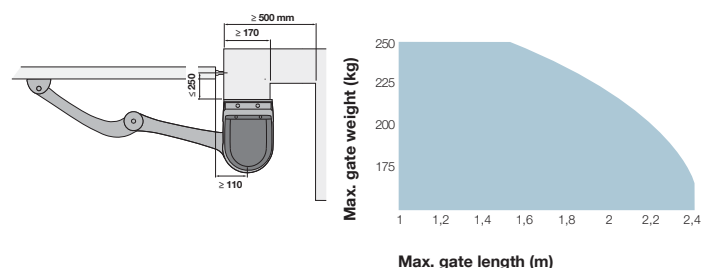
Code	Description	Pack/pallet	Price €
HOPPKCE	Kit for the automation of swing gates with leaves up to 2,4 m, 24 Vdc, externally mounted	12	1.029,00

N.B. The content of the package may vary: consult the retailer.

Technical specifications

Code	HO7124	HO7224
Electrical data		
Power supply (Vac 50/60 Hz)	230	-
Power supply (Vdc)	-	24
Absorption (A)	1.3	4
Power (W)	280	100
Performance data		
Speed (Rpm)	1.68	
Torque (Nm)	250	
Work cycle (cycles/hour)	35	
Dimensional and general data		
Protection level (IP)	54	
Working temp. (°C Min/Max)	-20 ÷ +50	
Dimensions (mm)	252x180x290 h	
Weight (kg)	9	6.5

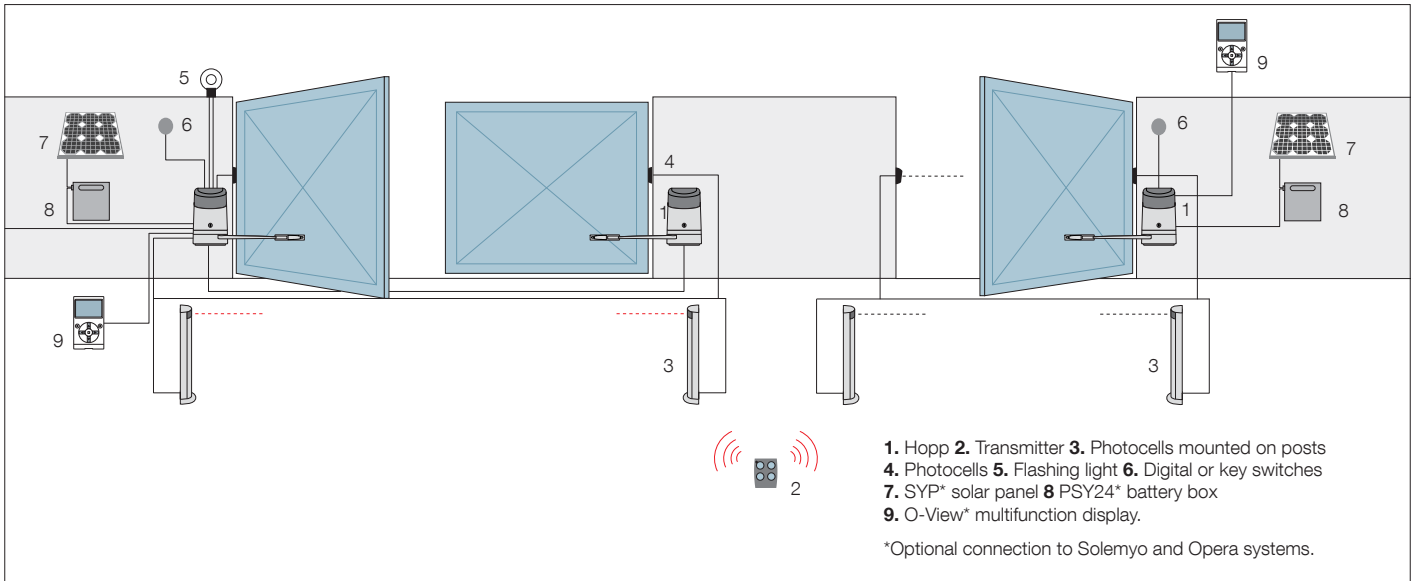
Utilisation limits



The shape, the height of the gate and the weather conditions can considerably reduce the values shown in the graph to the side.

* Version without control unit, only if associated with PP7124

* The price refers to the sale pack. Nice recommends customers order products in pallets in order to facilitate storage and delivery, and ensure packs are uniform. The number of packs per single pallet has been specified for this reason. Approximate draft.



Accessories



POA3
 Spare control unit for HO7174.
 (see spare parts price-list)



PS124
 24 V battery with integrated battery charger.
 Pc/pack 1
€ 92,50



PLA10
 Vertical 12 V electric lock (required for gates longer than 3 m).
 Pc/pack 1
€ 136,00



PLA11
 Horizontal 12 V electric lock (required for gates longer than 3 m).
 Pc/pack 1
€ 136,00



KIO
 Key-operated selector switch for low voltage contacts, with release mechanism for metal cord.
 Pc/pack 1
€ 69,50



KA1
 6 m cable release kit for KIO.
 Pc/pack 1
€ 20,60



TS
 Signboard.
 Pc/pack 1
€ 3,00

Solemyo system



The solar power kit Solemyo to automate gates, garage doors or barrier gates, including those located far from the power mains and without the need for costly and invasive excavation work.
 See pages 186/187

Opera system



The innovative Opera system enables the installer to manage, program and control automation systems, also remotely, simply and safely, with significant savings in time.
 See pages 140/141





For swing gates with leaves up to 3.5 m, ideal for large columns. Irreversible electromechanical 24 Vdc gearmotor with articulated arm, surface mounted. Ideal for intensive use.

Reliable, durability thanks to the housing in aluminium with polyester paint finish, resistant to atmospheric agents.

Ultra-powerful and delicate: thanks to the torque of 500 Nm and encoder technology, for millimetric precision and reliability. Safety in movement with dual technology obstacle detection.

Two irreversible 24 Vdc versions with limit switches on opening and closing: with built-in control unit (HK7024) and without control unit (HK7224).

Practical and quick installation: the articulated arm is adjustable in length for maximum flexibility.

Simple and precise limit switch adjustment: mechanical stops and micrometric adjustment screws.

Easy to operate release lever, with metal lock and personalised Nice key. With provision for cable control.

Savings, respect for the environment, and autonomy: when connected to the buffer battery or Solemyo kit, consumption on standby is just 0.1 W.

No black out: with the optional batteries (PS124) housed inside the gear motor.

Built-in control unit (HK7024):

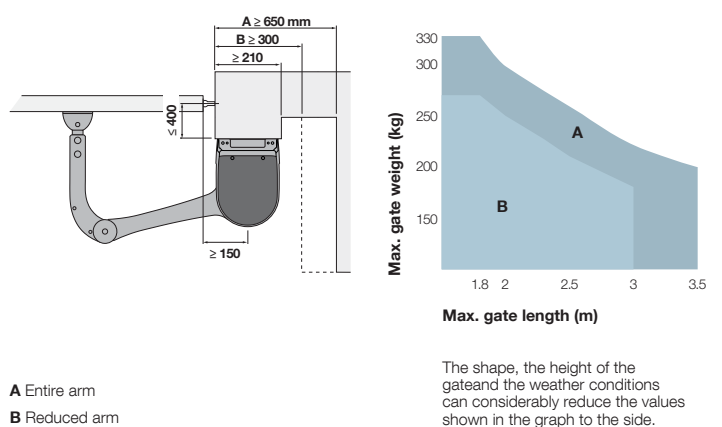
- simple programming via a single key;
- self-learning of opening and closing limit positions;
- automatic fault diagnostics;
- pause time programming;
- pass door;
- deceleration on opening and closing;
- obstacle detection with dual technology;
- provision for connection of latest generation sensitive edges.

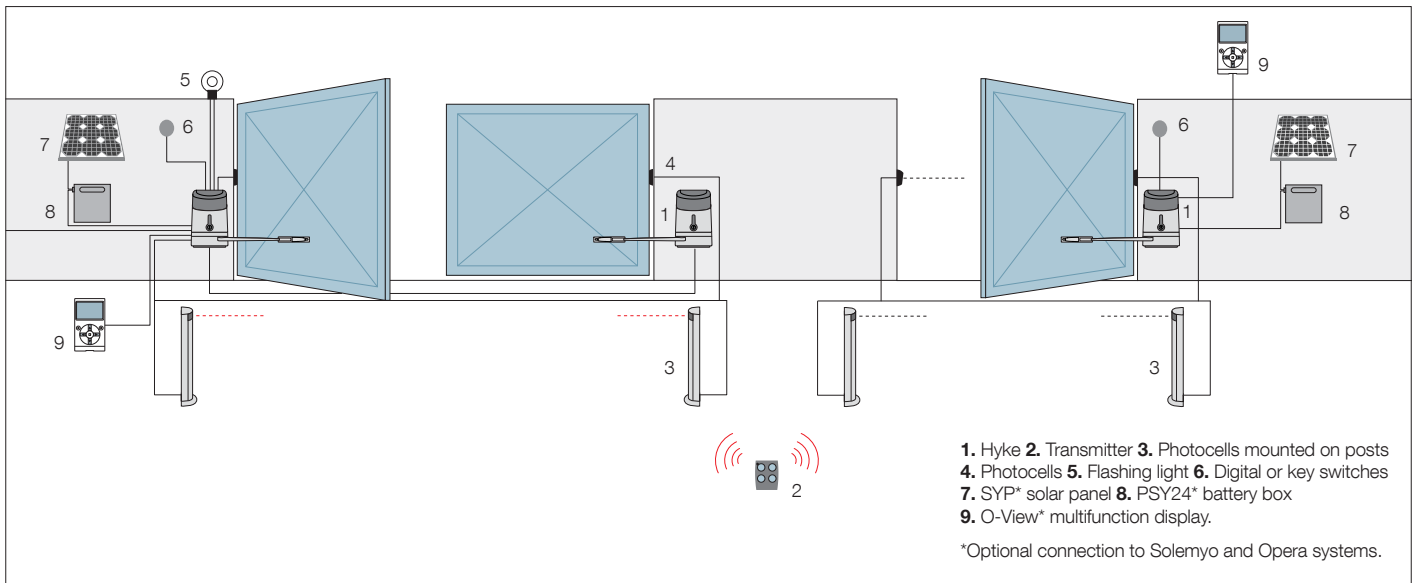
Code	Description	Pack/pallet	Price €
HK7024	Irreversible 24 Vdc, complete with articulated arm and built-in control unit	12	850,50
HK7224	Irreversible 24 Vdc, complete with articulated arm without control unit	12	612,50

Technical specifications

Code	HK7024	HK7224
Electrical data		
Power supply (Vac 50/60 Hz)	230	-
Power supply (Vdc)	-	24
Absorption (A)	1.5	6
Power (W)	300	140
Performance data		
Speed (Rpm)	2.25	
Torque (Nm)	500	
Work cycle (cycles/hour)	40	
Dimensional and general data		
Protection level (IP)	54	
Working temp. (°C Min/Max)	-20 ÷ +50	
Dimensions (mm)	290x210x320 h	
Weight (kg)	10.5	9.5

Utilisation limits





Accessories



HKA1
 Spare control unit
 for HK7024.
 (see spare parts price-list)



PS124
 24 V battery
 with integrated
 battery charger.
 Pc/pack 1
€ 92,50



PLA10
 Vertical 12 V electric lock
 (required for gates longer
 than 3 m).
 Pc/pack 1
€ 136,00



PLA11
 Horizontal 12 V electric lock
 (required for gates longer
 than 3 m).
 Pc/pack 1
€ 136,00



KIO
 Key-operated selector
 switch for low voltage
 contacts, with release
 mechanism for metal
 cord.
 Pc/pack 1
€ 69,50



KA1
 6 m cable release kit
 for KIO.
 Pc/pack 1
€ 20,60



TS
 Signboard.
 Pc/pack 1
€ 3,00

Solemyo system



The solar power kit
 Solemyo to automate
 gates, garage doors
 or barrier gates, including
 those located far from
 the power mains
 and without the need
 for costly and invasive
 excavation work.
 See pages 186/187

Opera system



The innovative Opera
 system enables
 the installer to manage,
 program and control
 automation systems,
 also remotely, simply
 and safely, with significant
 savings in time.
 See pages 140/141

HK7024 + HK7224



ON2



MOFB



MLBT



The kit contains:

HK7024 + HK7224 electromechanical gear motors for external mounting. HK7024 (with control unit and snap-fit receiver OXI), HK7224 (without control unit). **ON2** 1 two-channel 433.92 MHz transmitter. **MOFB** 1 pair of external photocells with provision for connection via Nice BlueBUS. **MLBT** 1 flashing light with integrated aerial.

Code	Description	Pack/pallet	Price €
HYKEKCE	Kit for the automation of swing gates with leaves up to 3.5 m, 24 Vdc, with articulated arm, externally mounted	12	1.522,50

N.B. The content of the package may vary: consult the retailer.

For swing gates with leaves up to 3.5 m, ideal for large columns. Irreversible electromechanical 24 Vdc gear motor with articulated arm, surface mounted. Ideal for intensive use.

New third generation model: quality and durability thanks to the housing in aluminium with polyester paint finish, resistant to atmospheric agents.

Ultra-powerful and delicate: thanks to the torque of 500 Nm and encoder technology, for millimetric precision and reliability. Safety in movement with dual technology obstacle detection.

Two irreversible 24 Vdc versions with limit switches on opening and closing: with built-in control unit (HK7024) and without control unit (HK7224).

Practical and quick installation: the articulated arm is adjustable in length for maximum flexibility.

Simple and precise limit switch adjustment: mechanical stops and micrometric adjustment screws.

Easy to operate release lever, with metal lock and personalised Nice key. With provision for cable control.

Savings, respect for the environment, and autonomy: when connected to the buffer battery or Solemyo kit, consumption on standby is just 0.1 W.

No black out: with the optional batteries (PS124) housed inside the gear motor.

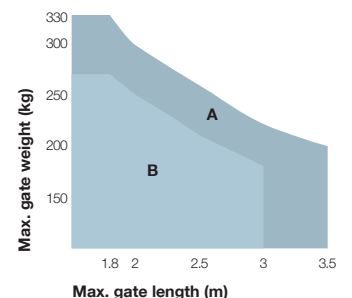
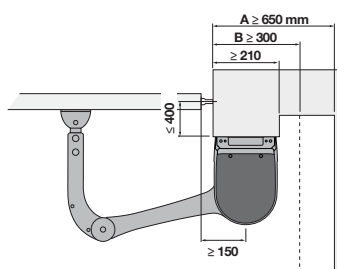
Built-in control unit (HK7024):

- simple programming via a single key;
- self-learning of opening and closing limit positions;
- automatic fault diagnostics;
- pause time programming;
- pass door;
- deceleration on opening and closing;
- obstacle detection with dual technology;
- provision for connection of latest generation sensitive edges.

Technical specifications

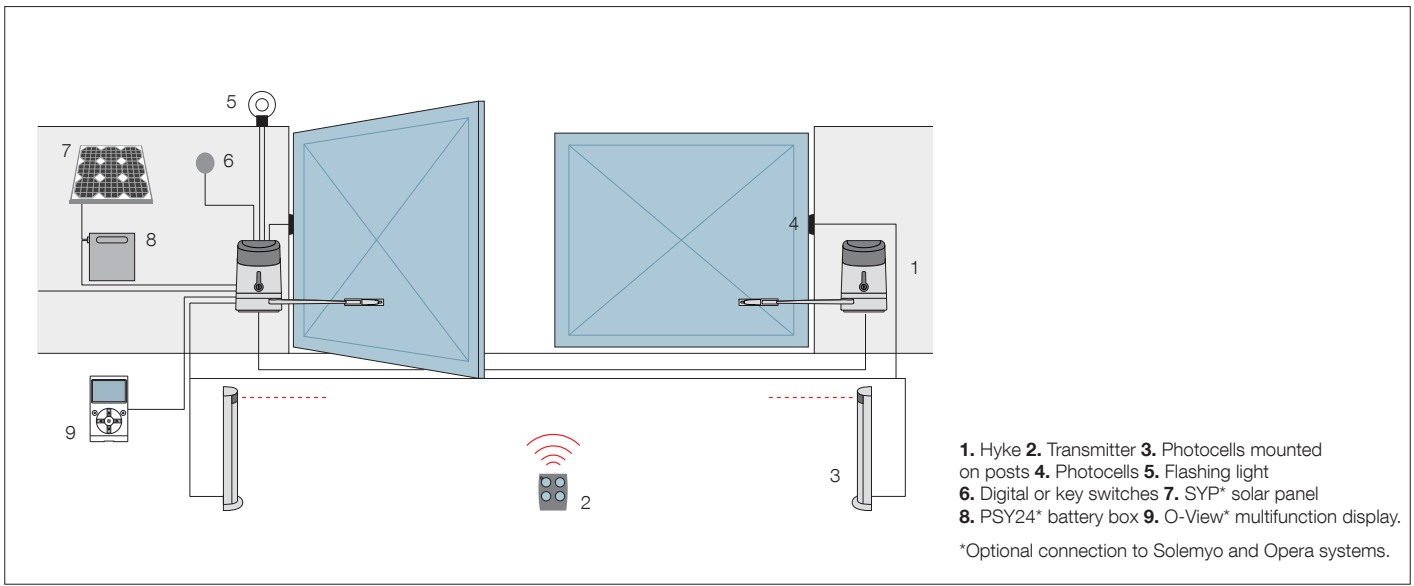
Code	HK7024	HK7224
Electrical data		
Power supply (Vac 50/60 Hz)	230	-
Power supply (Vdc)	-	24
Absorption (A)	1.5	6
Power (W)	300	140
Performance data		
Speed (Rpm)	2.25	
Torque (Nm)	500	
Work cycle (cycles/hour)	40	
Dimensional and general data		
Protection level (IP)	54	
Working temp. (°C Min/Max)	-20 ÷ +50	
Dimensions (mm)	290x210x320 h	
Weight (kg)	10.5	9.5

Utilisation limits



A Entire arm
B Reduced arm

The shape, the height of the gate and the weather conditions can considerably reduce the values shown in the graph to the side.



Accessories



HKA1
Spare control unit for HK7024.
(see spare parts price-list)



PS124
24 V battery with integrated battery charger.
Pc/pack 1
€ 92,50



PLA10
Vertical 12 V electric lock (required for gates longer than 3 m).
Pc/pack 1
€ 136,00



PLA11
Horizontal 12 V electric lock (required for gates longer than 3 m).
Pc/pack 1
€ 136,00



KIO
Key-operated selector switch for low voltage contacts, with release mechanism for metal cord.
Pc/pack 1
€ 69,50



KA1
6 m cable release kit for KIO.
Pc/pack 1
€ 20,60



TS
Signboard.
Pc/pack 1
€ 3,00

Solemyo system



The solar power kit Solemyo to automate gates, garage doors or barrier gates, including those located far from the power mains and without the need for costly and invasive excavation work.
See pages 186/187

Opera system



The innovative Opera system enables the installer to manage, program and control automation systems, also remotely, simply and safely, with significant savings in time.
See pages 140/141



* The price refers to the sale pack. Nice recommends customers order products in pallets in order to facilitate storage and delivery, and ensure packs are uniform. The number of packs per single pallet has been specified for this reason. Approximate draft.



For swing gates with leaves up to 3 m, also ideal for large pillars.

Electromechanical gear motor, surface mounted, also in 24 Vdc version with magnetic encoder, with articulated arm.

Single model for right and left leaves. Two irreversible versions, with 230 Vac (HY7005) and 24 Vdc (HY7024) power supplies with magnetic encoder.

Fewer connections mean **quicker installation.**

Pre-wired, incorporated double limit-switch both during opening and closing (HY7005).

Easy and quick to install: thanks to fewer connections and nothing welded to the gates.

Long-lasting: solid metal mechanics.

Compact: shockproof bodywork with no sharp corners.

Recommended control units: Mindy A3, A3F, A6, A6F, A60, A700F; for HY7024 Moonclever MC824H.

24 Vdc version with magnetic encoder. Perfect for intensive use, compatible with the control unit Moonclever MC824H:

- simple programming, by means of a single key;
- self-learning of opening and closing limit positions;
- automatic fault diagnostics;
- programming of pause time;
- pedestrian pass door;
- deceleration on opening and closing;
- obstacle detection with dual technology;
- operation in event of power failure by means of optional rechargeable batteries (PS324);
- provision for connection of latest generation resistive sensitive edges.

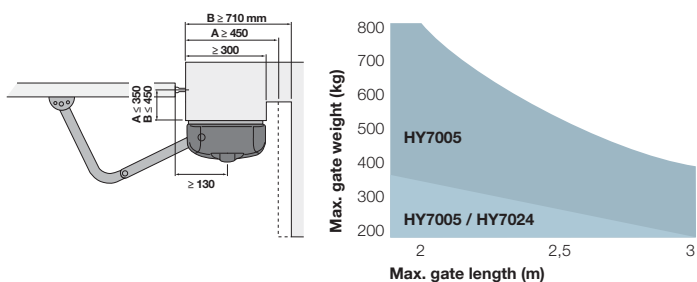
Code	Description	Pack/pallet	Price €
HY7024	Irreversible, 24 Vdc, with magnetic encoder, with shear-proof articulated arm, galvanized and painted	16	612,00
HY7005	Irreversible, 230 Vac, with sturdy articulated shear-proof arm, galvanized and painted, with limit switch on opening and closing	16	540,50

Technical specifications

Code	HY7024	HY7005
Electrical data		
Power supply (Vac 50 Hz)*	-	230
Power supply (Vdc)	24	-
Absorption (A)	5	1.2
Power (W)	120	250
Performance data		
Speed (Rpm)	2	1.7
Torque (Nm)	250	400
Work cycle (%)	80	30
Dimensional and general data		
Protection level (IP)	43	
Working temp. (°C Min/Max)	-20 ÷ +50	
Dimensions (mm)	350x165x242 h	
Weight (kg)	13	

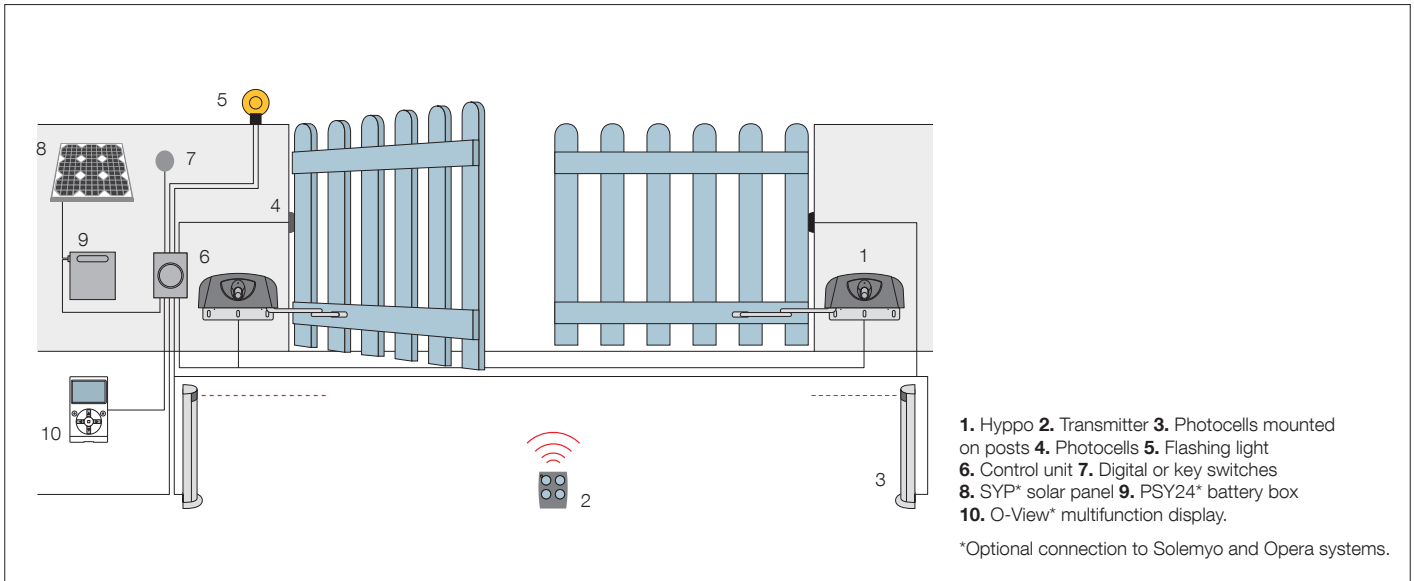
*60 Hz version available on request.

Utilisation limits



A Standard arm
B Arm with accessory HYA12

N.B. The above values are valid if the motor is used with standard accessories. The shape, the height of the gate and the weather conditions can considerably reduce the values shown in the graph to the side. Use in windy areas 230 Vac models.



Accessories

					
HYA12 Longer articulated arm (see the layout). Pc/pack 1 € 118,00	PLA10 Vertical 12 V electric lock (required for gates longer than 3 m). Pc/pack 1 € 136,00	PLA11 Horizontal 12 V electric lock (required for gates longer than 3 m). Pc/pack 1 € 136,00	KIO Key-operated selector switch for low voltage contacts, with release mechanism for metal cord. Pc/pack 1 € 69,50	KA1 6 m cable release kit for KIO. Pc/pack 1 € 20,60	TS Signboard. Pc/pack 1 € 3,00

Accessory

For 24 Vdc version



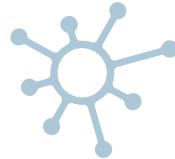
PS324
24 V battery with integrated battery charger.
Pc/pack 1
€ 111,50

Solemyo system



The solar power kit Solemyo to automate gates, garage doors or barrier gates, including those located far from the power mains and without the need for costly and invasive excavation work.
See pages 186/187

Opera system



The innovative Opera system enables the installer to manage, program and control automation systems, also remotely, simply and safely, with significant savings in time.
See pages 140/141



Waterproof, with IP67 protection rating

Foundation box with cataphoresis paint finish

For swing gates with leaves up to 2.3 m, underground installation, ultra compact.

Irreversible electromechanical 24 Vdc gear motor, ideal for intensive use.

Sturdy and discreet: compact foundation box with a height of only 81 mm. Steel with cataphoresis paint finish guarantees optimal resistance to corrosion, and thickness of 2.5 mm guarantees strength. All this in just 52 mm of protrusion from the ground.

Practical and quick installation thanks to the exit lever on the gear motor attached directly on the leaf.

Opening up to 180° as standard.

Reliable and sturdy: the gear motor, in IP67 pressure die cast aluminium, suspended inside the housing to enable drainage of any deposits, ensures optimal water resistance.

Load-bearing foundation box with adjustable mechanical stops on opening and closing: the gear motor can also be installed later as required.

Practical release easy to operate from inside and outside, acting directly on the gear motor, easy to operate by means of the special key.

Code	Description	Pack/pallet	Price €
XME2024	Irreversible, 24 Vdc	18	377,50
XME2124	Irreversible 24 Vdc version with magnetic encoder	18	390,50
XMBOX	Externally foundation box, with cataphoresis paint finish. Complete with leaf coupling lever and mechanical stops on opening and closing	18	154,50

XME2024, compatible with the control unit Moonclever MC424L, and for operation with Solemyo systems:

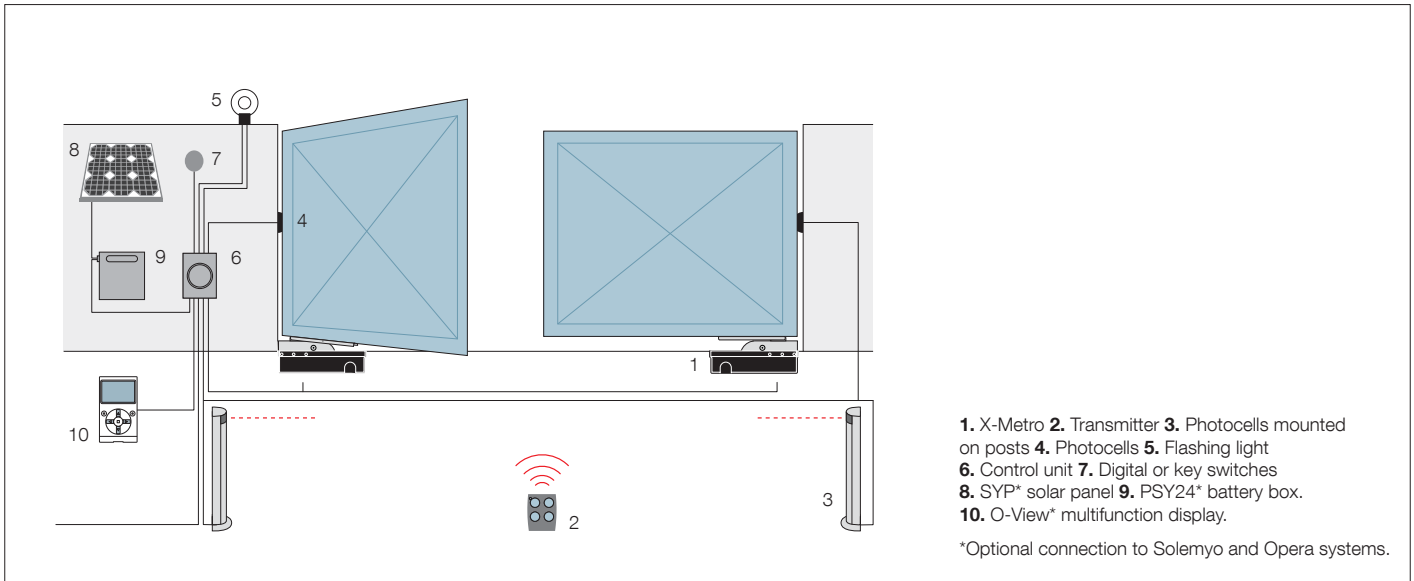
- simple programming via a single key;
- memorisation of opening and closing limit positions in self-learning mode;
- pause time programming;
- pass door;
- deceleration on opening and closing;
- obstacle detection;
- provision for connection of latest generation sensitive edges;
- operation in event of power failure by means of optional rechargeable batteries (PS124) with compartment in control unit.

XME2124 with magnetic encoder, compatible with control unit Moonclever MC824H, with BlueBUS technology, and compatible for operation with Solemyo and Opera systems:

- simple programming via a single key;
- self-learning of opening and closing limit positions;
- automatic fault diagnostics;
- with output for courtesy light and maintenance indicator;
- speed settings on 5 levels;
- separate and configurable inputs for Step by Step, Open and Close;
- pause time programming;
- pass door;
- deceleration on opening and closing;
- obstacle detection with dual technology;
- provision for connection of latest generation sensitive edges;
- operation in event of power failure by means of optional rechargeable batteries (PS324) with compartment in control unit.

Technical specifications

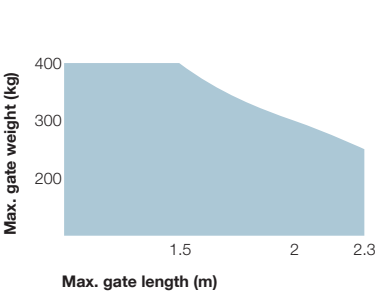
Code	XME2024	XME2124
Electrical data		
Power supply (Vdc)	24	
Absorption (A)	5	
Power (W)	120	
Performance data		
Speed (Rpm)	1.25	
Torque (Nm)	250	
Work cycle (cycles/hour)	60	
Dimensional and general data		
Protection level (IP)	67	
Working temp. (°C Min/Max)	-20° ÷ +50°	
Dimensions (mm)	235x206x96.5 h	
Weight (kg)	6	



Accessories

<p>PS124 24 V battery with integrated battery charger for MC424L. Pc/pack 1 € 92,50</p>	<p>PS324 24 V battery with integrated battery charger for MC824H. Pc/pack 1 € 111,50</p>	<p>PLA10 Vertical 12 V electric lock (required for gates longer than 3 m). Pc/pack 1 € 136,00</p>	<p>PLA11 Horizontal 12 V electric lock (required for gates longer than 3 m). Pc/pack 1 € 136,00</p>	<p>TS Signboard. Pc/pack 1 € 3,00</p>

Utilisation limits



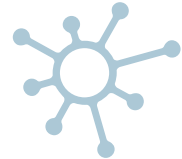
The shape, the height of the gate and the weather conditions can considerably reduce the values shown in the graph to the side.

Solemyo system



The solar power kit Solemyo to automate gates, garage doors or barrier gates, including those located far from the power mains and without the need for costly and invasive excavation work.
See pages 186/187

Opera system



The innovative Opera system enables the installer to manage, program and control automation systems, also remotely, simply and safely, with significant savings in time.
See pages 140/141

XME2024



For swing gates with leaves up to 2.3 m, underground installation, ultra compact.
Irreversible electromechanical 24 Vdc gear motor.

Sturdy and discreet: compact foundation box with a height of only 81 mm. Steel with cataphoresis paint finish guarantees optimal resistance to corrosion, and thickness of 2.5 mm guarantees strength. All this in a protrusion of just 52 mm from the ground.

Practical and quick installation thanks to the exit lever on the gear motor attached directly on the leaf.

Mechanical limit switches adjustable on opening and closing.

Opening up to 180° as standard.

Reliable and sturdy: the gear motor, in IP67 pressure die cast aluminium, suspended inside the housing to enable drainage of any deposits, ensures optimal water resistance.

Practical release from inside and outside, acting directly on the gear motor, easy to operate by means of the special key.

Moonclever control unit MC424L:

- easy programming by pressing a single button;
- clutch with anti-crush safety feature;
- automatic memorization of limit switches on opening and closing with self-learning function;
- programming of pause time;
- pedestrian pass door;
- deceleration on opening and closing;
- obstacle detection;
- provision for connection of latest generation resistive sensitive edges;
- continues to work even during power failures using optional (PS124) batteries that fit inside the control unit.

<p>ON2</p> 	<p>MC424L</p> 	<p>MOF</p> 
<p>MOSE</p> 	<p>ML24T</p> 	<p>TS</p> 

The kit contains:

XME2024 2 gear motors. **XMBOX** 2 foundation boxes. **ON2** 1 transmitter 433.92 MHz, 2 channels. **MC424L** 1 control unit with OXI plug-in receiver. **MOF** 1 pair of photocells for outdoor installation. **MOSE** 1 key selector switch for outdoor installation. **ML24T** 1 flashing light with integrated aerial. **TS** 1 signboard.

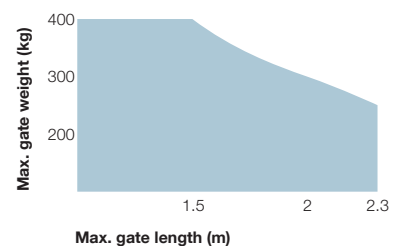
Code	Description	Pack/pallet	Price €
XMETRO2024KCE	Kit for swing gates with leaves up to 2.3 m, 24 Vdc, underground installation	12	1.365,50

N.B. The content of the package may vary: consult the retailer.

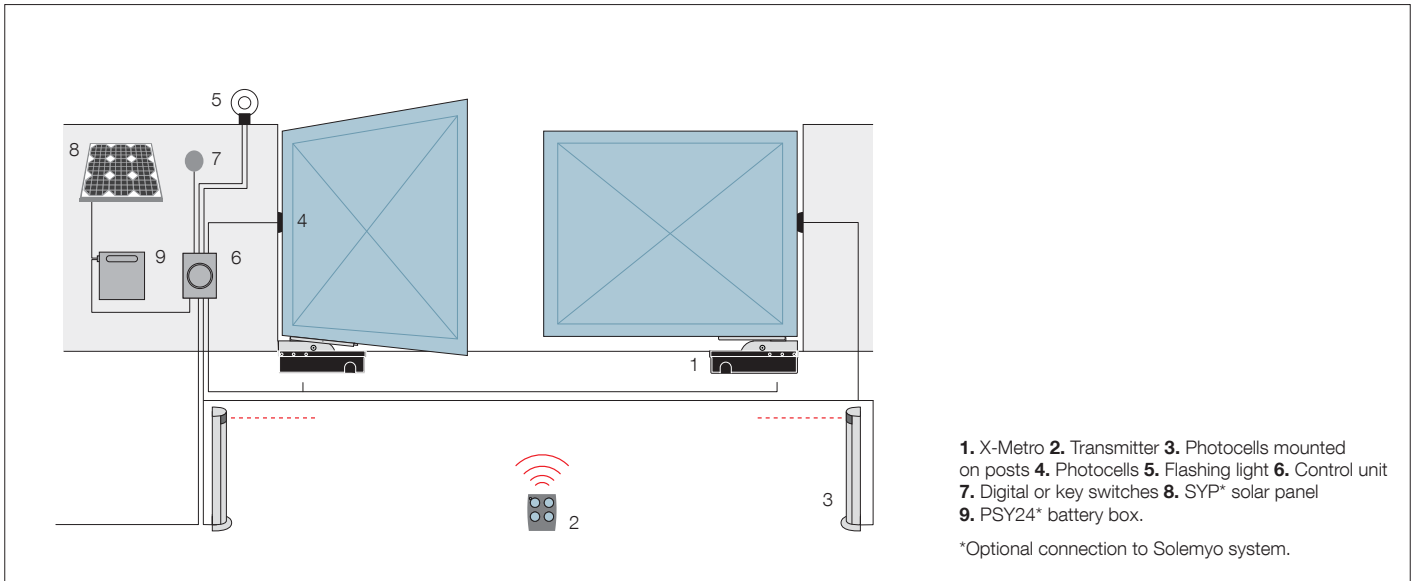
Technical specifications

Code	XME2024
Electrical data	
Power supply (Vdc)	24
Absorption (A)	5
Power (W)	120
Performance data	
Speed (Rpm)	1.25
Torque (Nm)	250
Work cycle (cycles/hour)	60
Dimensional and general data	
Protection level (IP)	67
Working temp. (°C Min/Max)	-20° ÷ +50°
Dimensions (mm)	235x206x96.5 h
Weight (kg)	6

Utilisation limits



The shape, the height of the gate and the weather conditions can considerably reduce the values shown in the graph to the side.



Accessories



PS124
24 V battery with integrated battery charger.
Pc/pack 1
€ 92,50



PLA10
Vertical 12 V electric lock (required for gates longer than 3 m).
Pc/pack 1
€ 136,00



PLA11
Horizontal 12 V electric lock (required for gates longer than 3 m).
Pc/pack 1
€ 136,00

Solemyo system



The solar power kit Solemyo to automate gates, garage doors or barrier gates, including those located far from the power mains and without the need for costly and invasive excavation work.
See pages 186/187



* The price refers to the sale pack. Nice recommends customers order products in pallets in order to facilitate storage and delivery, and ensure packs are uniform. The number of packs per single pallet has been specified for this reason. Approximate draft.

XME2124



For swing gates with leaves up to 2.3 m, underground installation, ultra compact.

Irreversible electromechanical gear motor 24 Vdc with magnetic encoder.

Sturdy and discreet: compact foundation box with a height of only 81 mm. Steel with cathaphoresis paint finish guarantees optimal resistance to corrosion, and thickness of 2.5 mm guarantees strength. All this in a protrusion of just 52 mm from the ground.

Practical and quick installation thanks to the exit lever on the gear motor attached directly on the leaf.

Mechanical limit switches adjustable on opening and closing.

Opening up to 180° as standard.

Reliable and sturdy: the gear motor, in IP67 pressure die cast aluminium, suspended inside the housing to enable drainage of any deposits, ensures optimal water resistance.

Practical release from inside and outside, acting directly on the gear motor, easy to operate by means of the special key.

Control unit Moonclever MC824H, with BlueBUS technology, and compatible for operation with Solemyo and Opera systems:

- simple programming, by means of a single key;
- self-learning of opening and closing limit positions;
- automatic fault diagnostics;
- programming of pause time;
- pedestrian pass door;
- deceleration on opening and closing;
- obstacle detection with dual technology;
- operation in event of power failure by means of optional rechargeable batteries (PS324);
- provision for connection of latest generation resistive sensitive edges.

ON2 	MC824H 	MOFB
MOSE 	MLBT 	TS

The kit contains:

XME2124 2 gear motors. **XMBOX** 2 foundation boxes. **ON2** 1 transmitter 433.92 MHz, 2 channels. **MC824H** 1 control unit with OXI plug-in receiver. **MOFB** 1 couple of external photocells designed for connection by Nice BlueBUS. **MOSE** 1 key selector switch for outdoor installation. **MLBT** 1 flashing light with integrated aerial. **TS** 1 signboard.

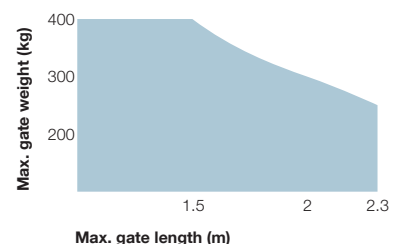
Code	Description	Pack/pallet	Price €
XMETRO2124KCE	Kit for swing gates with leaves up to 2.3 m, 24 Vdc, underground installation	12	1.480,50

N.B. The content of the package may vary: consult the retailer.

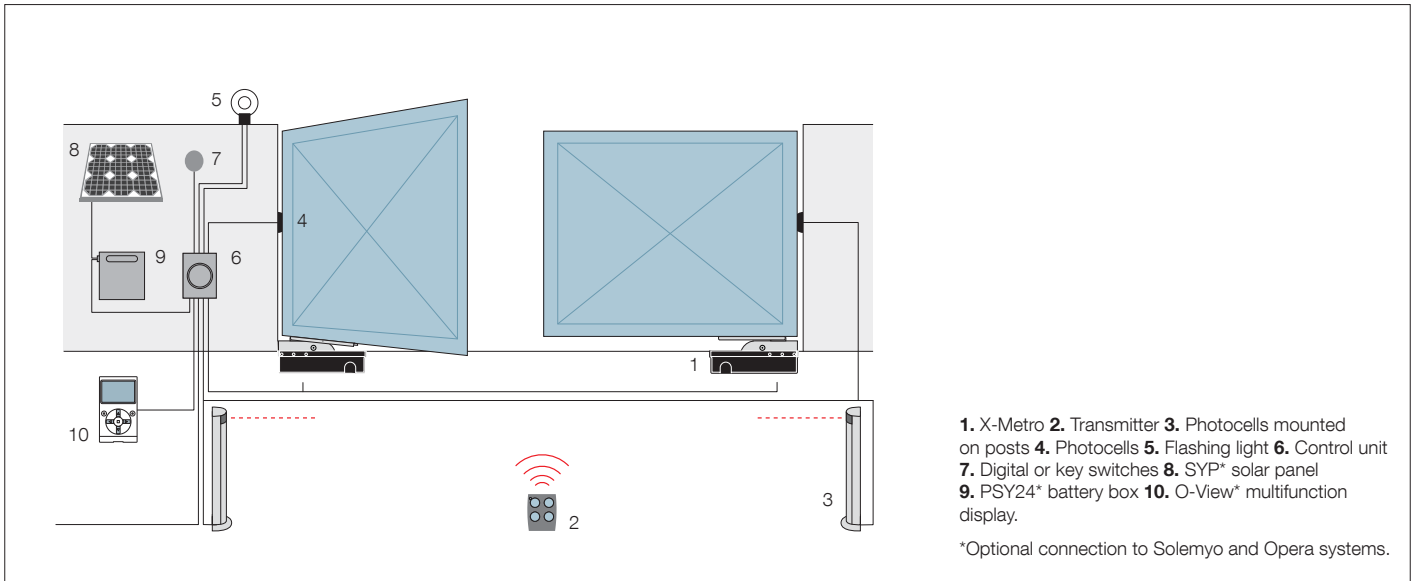
Technical specifications

Code	XME2124
Electrical data	
Power supply (Vdc)	24
Absorption (A)	5
Power (W)	120
Performance data	
Speed (Rpm)	1.25
Torque (Nm)	250
Work cycle (cycles/hour)	60
Dimensional and general data	
Protection level (IP)	67
Working temp. (°C Min/Max)	-20° ÷ +50°
Dimensions (mm)	235x206x96.5 h
Weight (kg)	6

Utilisation limits



The shape, the height of the gate and the weather conditions can considerably reduce the values shown in the graph to the side.



Accessories



PS324
24 V battery with integrated battery charger.
Pc/pack 1
€ 111,50



PLA10
Vertical 12 V electric lock (required for gates longer than 3 m).
Pc/pack 1
€ 136,00



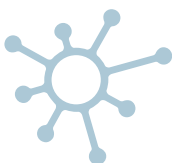
PLA11
Horizontal 12 V electric lock (required for gates longer than 3 m).
Pc/pack 1
€ 136,00

Solemyo system



The solar power kit Solemyo to automate gates, garage doors or barrier gates, including those located far from the power mains and without the need for costly and invasive excavation work.
See pages 186/187

Opera system



The innovative Opera system enables the installer to manage, program and control automation systems, also remotely, simply and safely, with significant savings in time.
See pages 140/141





For swing gates with leaves up to 3.5 m, underground installation.

Irreversible electromechanical gear motor, also available in 24 Vdc versions with magnetic encoder.

An even more evolved range: 4 types of electromechanical gear motors irreversible **Metroplex**, also available in 24 Vdc version with magnetic encoder.

2 foundation boxes externally chamfered, Metro Box, with mechanical stop on opening: **in stainless steel** (MECX), ideal for use in extreme conditions, and with the **cataphoresis paint finish** (MECF), highly resistant to corrosion.

Reliable and resistant: motors made up of solid internal parts in metal. New IP67 waterproof die cast aluminium.

Total freedom of choice: release from inside and outside, two key-operated models or freely compatible lever version and easily activated with just one hand.

Simple to use: mechanical stop system on closure. Standard opening max. 110°, optional opening 360°.

Totally compatible with the previous Metro series.

Recommended control units:

Mindy A3, A3F, A6, A6F, A60, A700F; for ME3024 Moonclever MC824H.

24 Vdc version with magnetic encoder.

Perfect for intensive use, compatible with the control unit Moonclever MC824H:

- simple programming, by means of a single key;
- self-learning of opening and closing limit positions;
- automatic fault diagnostics;
- programming of pause time;
- pedestrian pass door;
- deceleration on opening and closing;
- obstacle detection with dual technology;
- operation in event of power failure by means of optional rechargeable batteries (PS324);
- provision for connection of latest generation resistive sensitive edges.

Code	Description	Pack/pallet	Price €
ME3024	Irreversible, 24 Vdc, with magnetic encoder, complete with connecting lever and mechanical stop for the closing manoeuvre	18	396,00
ME3000	Irreversible, 230 Vac, high speed, grease lubrication, complete with connecting lever and mechanical stop for the closing manoeuvre	18	396,00
ME3000L	Irreversible, 230 Vac, low speed, grease lubrication, complete with connecting lever and mechanical stop for the closing manoeuvre	18	411,00
ME3010	Irreversible, 230 Vac, oil bath lubrication, complete with connecting lever and mechanical stop for the closing manoeuvre	18	454,00

Code	Description	Pack/pallet	Price €
MECX	Externally chamfered foundation box in stainless steel with mechanical stop on opening	20	375,00
MECF	Externally chamfered foundation box with cataphoresis finish with mechanical stop on opening	20	179,50

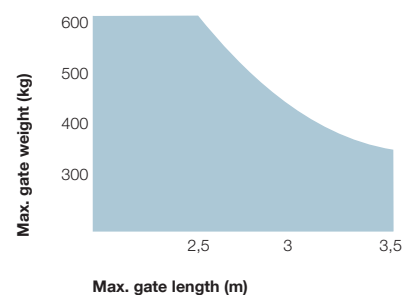
Note: key release mechanism, freely compatible with selection of models MEA2 and MEA3 motor.

Technical specifications

Code	ME3024	ME3000	ME3000L	ME3010
Electrical data				
Power supply (Vac 50 Hz)*	-	230		
Power supply (Vdc)	24	-		
Absorption (A)	5	1.2	1.3	1.4
Power (W)	120	250	300	290
Performance data				
Speed (Rpm)	1.4	1.14	0.8	1.14
Torque (Nm)	250	300	250	300
Work cycle (%)	80	30		40
Dimensional and general data				
Protection level (IP)	67			
Working temp. (°C Min/Max)	-20 ÷ +50			
Dimensions (mm)	390x322x194.5 h			
Weight (kg)	11			11.5

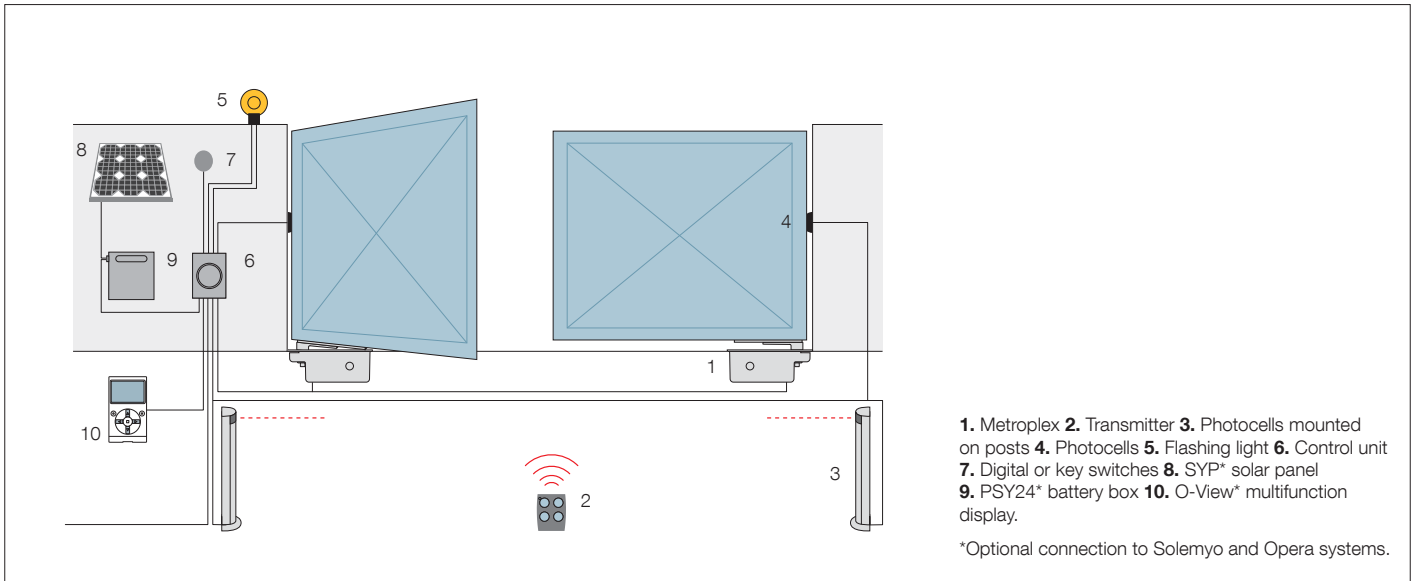
*60 Hz version available on request.

Utilisation limits



The shape, the height of the gate and the weather conditions can considerably reduce the values shown in the graph to the side. Use in windy areas 230 Vac models.

* The price refers to the sale pack. Nice recommends customers order products in pallets in order to facilitate storage and delivery, and ensure packs are uniform. The number of packs per single pallet has been specified for this reason. Approximate draft.



1. Metroplex 2. Transmitter 3. Photocells mounted on posts 4. Photocells 5. Flashing light 6. Control unit 7. Digital or key switches 8. SYP* solar panel 9. PSY24* battery box 10. O-View* multifunction display.
*Optional connection to Solemyo and Opera systems.

Accessories

<p>ME A2 Key unlock system. Pc/pack 1 € 79,50</p>	<p>ME A3 Lever-type key unlock system to use when system is installed on surfaces such as sand or earth. Pc/pack 1 € 79,50</p>	<p>ME A5 Lever-type unlock key for ME A3. Pc/pack 4 € 36,70*</p>	<p>ME A6 Limit switch bracket, for installations where box embedding in concrete is not possible. Pc/pack 1 € 42,70</p>	<p>ME A1 Accessory for opening up to 360° for gates max. 2.5 m in length. Pc/pack 1 € 143,50</p>	<p>PLA 10 Vertical 12 V electric lock (required for gates longer than 3 m). Pc/pack 1 € 136,00</p>
<p>Accessory For 24 Vdc version</p>					
<p>PLA 11 Horizontal 12 V electric lock (required for gates longer than 3 m). Pc/pack 1 € 136,00</p>	<p>TS Signboard. Pc/pack 1 € 3,00</p>	<p>PS 324 24 V battery with integrated battery charger. Pc/pack 1 € 111,50</p>			

Solemyo system



The solar power kit Solemyo to automate gates, garage doors or barrier gates, including those located far from the power mains and without the need for costly and invasive excavation work. See pages 186/187

Opera system



The innovative Opera system enables the installer to manage, program and control automation systems, also remotely, simply and safely, with significant savings in time. See pages 140/141

Metro Box: brand new models of externally chamfered foundation box ensuring optimal resistance to corrosion!



For swing gates
 For sliding gates
 Barrier gate operator systems
 For garage and industrial doors
 Control systems and accessories
 Alphabetical index



For swing gates with leaves up to 5 m, underground installation.

Irreversible electromechanical gear motor, 24 Vdc with magnetic encoder and mechanical stop.

Chamfered foundation boxes

with mechanical stop on opening:

- in stainless steel (BMBOXI), ideal for use in extreme conditions,
- with cataphoresis paint finish (BMBOX), highly resistant to corrosion.

Maximum freedom of choice: release from inside or outside, two key or lever operated models, freely combinable and easy to operate with just one hand.

Simple to use: mechanical stop system on closure. Standard opening to 110°, or optional 360°.

Ideal for intensive use, compatible with the control unit Moonclever MC824H:

- simple programming via a single key;
- self-learning of travel limits on opening and closing;
- self-diagnostics of faults;
- programming of pause time;
- pass door;
- deceleration on opening and closing;
- dual technology obstacle detection;
- operation in the event of a power failure with optional rechargeable batteries (PS324);
- provision for connection of latest generation sensitive edges.

Code	Description	Pack/pallet	Price €
BM5024	Irreversible, 24 Vdc, with magnetic encoder, with mechanical stop on closing	18	695,00
BMBOX	Foundation box, with cataphoresis paint finish, with built-in mechanical stop on opening	18	395,00
BMBOXI	Stainless steel foundation box, with built-in mechanical stop on opening	18	695,00

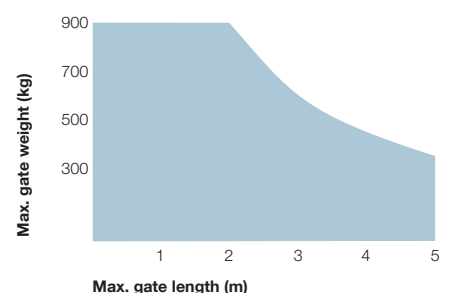
Note: key release mechanism, freely compatible with selection of models MEA2 and MEA3 motor.

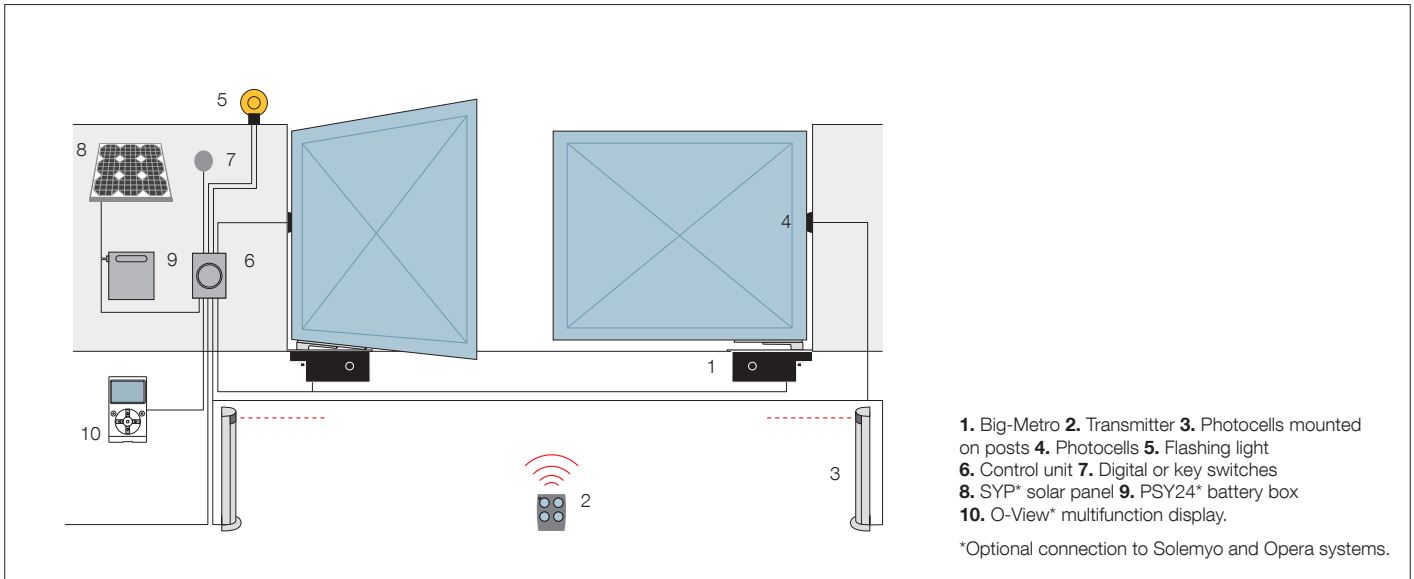
Technical specifications

Code	BM5024
Electrical data	
Power supply (Vdc)	24
Absorption (A)	7
Power (W)	170
Performance data	
Speed (Rpm)	0.8
Torque (Nm)	400
Work cycle (cycles/hour)	45
Dimensional and general data	
Protection level (IP)	67
Working temp. (°C Min/Max)	-20 ÷ +50
Dimensions (mm)*	400x325x150 h
Weight (kg)	12

*With foundation box

Utilisation limits





1. Big-Metro **2.** Transmitter **3.** Photocells mounted on posts **4.** Photocells **5.** Flashing light **6.** Control unit **7.** Digital or key switches **8.** SYP* solar panel **9.** PSY24* battery box **10.** O-View* multifunction display.
*Optional connection to Solemyo and Opera systems.

Accessories

 ME A2 Key unlock system. Pc/pack 1 € 79,50	 ME A3 Lever-type key unlock system to use when system is installed on surfaces such as sand or earth. Pc/pack 1 € 79,50	 ME A5 Lever-type unlock key for ME A3. Pc/pack 4 € 36,70*	 BMA1 Accessory for opening up to 360° for gates max. 3.5 m in length. Pc/pack 1 € 139,50	 PLA10 Vertical 12 V electric lock (required for gates longer than 3 m). Pc/pack 1 € 136,00	 PLA11 Horizontal 12 V electric lock (required for gates longer than 3 m). Pc/pack 1 € 136,00
--	--	--	--	---	---

Accessory
For 24 Vdc version

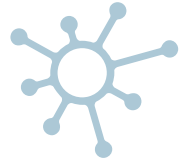
 TS Signboard. Pc/pack 1 € 3,00	 PS324 24 V battery with integrated battery charger. Pc/pack 1 € 111,50
--	--

Solemyo system



The solar power kit Solemyo to automate gates, garage doors or barrier gates, including those located far from the power mains and without the need for costly and invasive excavation work.
See pages 186/187

Opera system



The innovative Opera system enables the installer to manage, program and control automation systems, also remotely, simply and safely, with significant savings in time.
See pages 140/141

* The price refers to the sale pack. Nice recommends customers order products in pallets in order to facilitate storage and delivery, and ensure packs are uniform. The number of packs per single pallet has been specified for this reason. Approximate draft.

Systems for sliding gates

4 11	The Nice World
12 65	Systems for swing gates
66 85	Systems for sliding gates
86 109	Barrier gate operator systems
110 137	Systems for garage and industrial doors
138 179	Control systems
180 205	Accessories
206 225	Control units
226 229	Product code alphabetical index



**For residential use, installed
inside a compact post**

70|71 Naked Sliding 400

For residential and industrial use

72|73 Robus 400/600/1000
74|75 Robus 400
76|77 Robus 600
78|79 RoadKit
80|81 Run 1500
82|83 Run 1800/2500
84 Tub

Racks

85

Nice Selection guide

Follow the arrow and choose the right product

For residential use, installed inside a compact post

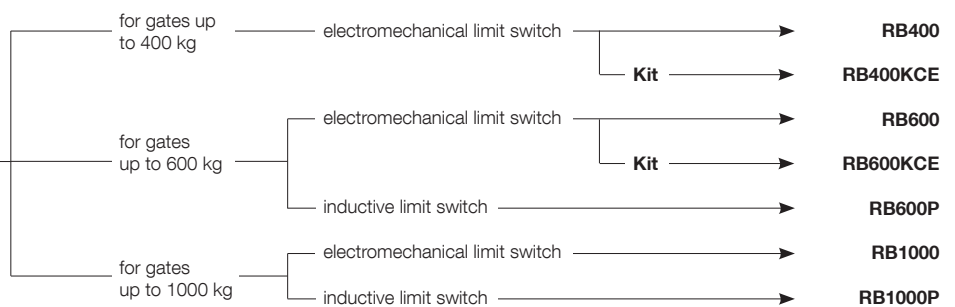
Irreversible, 24 Vdc, with built-in control unit and absolute encoder.
With BlueBUS technology, compatible for operation with Solemyo and Opera.

Naked Sliding 400 ————— for gates up to 400 kg —————> **NKSL400**
pag. 70/71

For residential use, also available in kit

Irreversible, 24 Vdc, with built-in control unit.
With BlueBUS technology, compatible for operation with Solemyo and Opera.

Robus RobusKit
pages 72/77



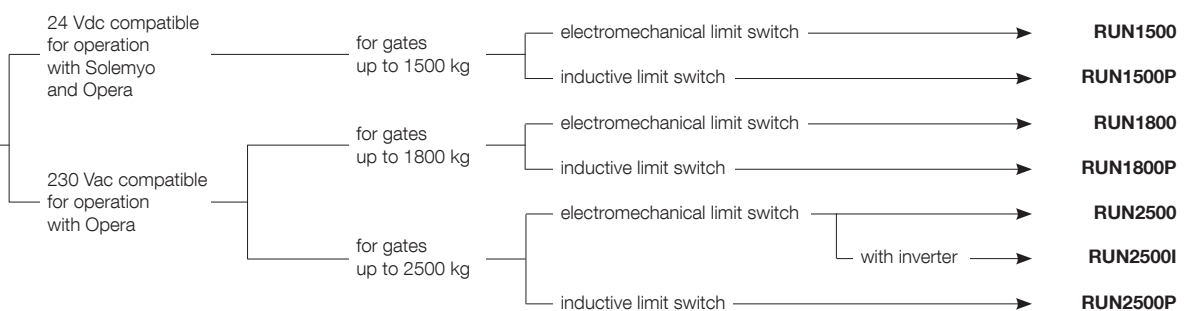
Irreversible, 24 Vdc, with built-in control unit.
RoadKit
pages 78/79

————— for gates up to 300 kg with leaf length up to 6 m —————> **RDKCE**

For residential and industrial use

Irreversible, with built-in control unit, with BlueBUS technology.

Run
pages 80/83



For industrial use

Irreversible, 400 Vac, with built-in control unit.

Tub ————— for gates up to 3500 kg —————> **TUB3500**
page 84

Naked Sliding 400



Robus
RobusKit



RoadKit



Run



Tub





The first Nice concealed motor for sliding gates up to 400 Kg with leaf length up to 6 m.

Motor with built-in control unit and absolute encoder which can be **installed inside a compact post** with suitable holes.

Its **extremely small size** allows the motor to be installed even in very slender posts, with interior size down to 140x140 mm.

User-friendly: thanks to the BlueBUS system, allowing the control unit to be connected to up to 7 pairs of Moonbus series photocells and control, security and signalling devices with just two wires.

State-of-the-art: it features a temperature sensor that adapts the motor force to weather conditions, also modulating the overload protection.

Master/slave selection: for automatic synchronisation even of 2 motors, allowing automation of sliding gates with two opposing leaves.

Intelligent: thanks to obstacle detection and automatic working time programming. Self-diagnostics with flashing light signalling.

Safe: adjustable acceleration and deceleration at the start and end of every opening and closing operation.

User-friendly, precise limit switch adjustment: integral absolute limit switch, quick learning with just one opening or closing operation with motor released.

Practical: control unit and optional PS124 buffer batteries can be connected by means of practical guided - connector.

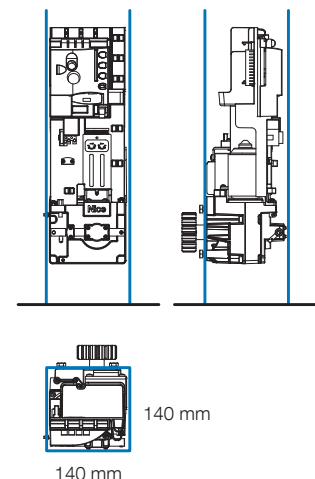
Flexible: unlocking can be provided on both sides of the post and/or on the outside (with the KIO and KA1 accessories). Also easy to install on existing posts.

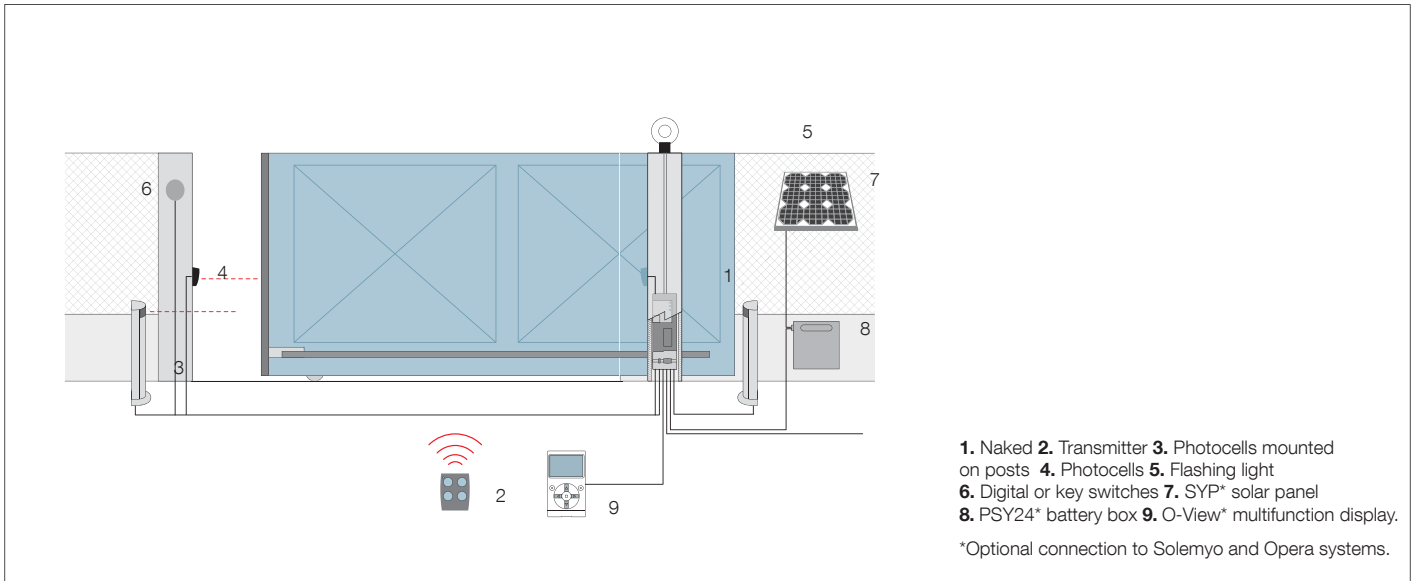
Code	Description	Pack/pallet	Price €
NKSL400	Irreversible, 24 Vdc, with built-in control unit and absolute encoder allowing integration in post	16	561,00

Technical specifications

Code		NKSL400
Electrical data		
Power supply (Vac 50/60 Hz)		230 V
Absorption (A)		1.1
Power (W)		250 W
Performance data		
Speed (m/s)		0.34
Force (N)		400
Work cycle (cycles/hour)		35
Dimensional and general data		
Protection level (IP)		10*
Working temp. (°C Min/Max)		-20 ÷ +50
Dimensions (mm)		131x172x405 h
Weight (kg)		6.5

* The protection degree of the automation is determined by the composition motor and column.





Accessories

					
NKA3 Spare control unit. Pc/pack 1 (see spare parts price-list)	PS124 24 V battery with integrated battery charger. Pc/pack 1 € 92,50	ROA6 M4 25x20x1000 mm slotted nylon rack with metal insert for gates weighing up to 500 kg. Pc/pack 10 € 190,00*	ROA7 M4 rack, zinc coated, 22x22x1000 mm. Pc/pack 10 € 209,50*	ROA8 M4 rack, 30x8x1000 mm, zinc coated with spacers and screws. Pc/pack 10 € 226,00*	KIO Key-operated selector switch for low voltage contacts, with release mechanism for metal cord. Pc/pack 1 € 69,50

	
KA1 6 m cable release kit for KIO. Pc/pack 1 € 20,60	TS Signboard. Pc/pack 1 € 3,00

Solemyo system



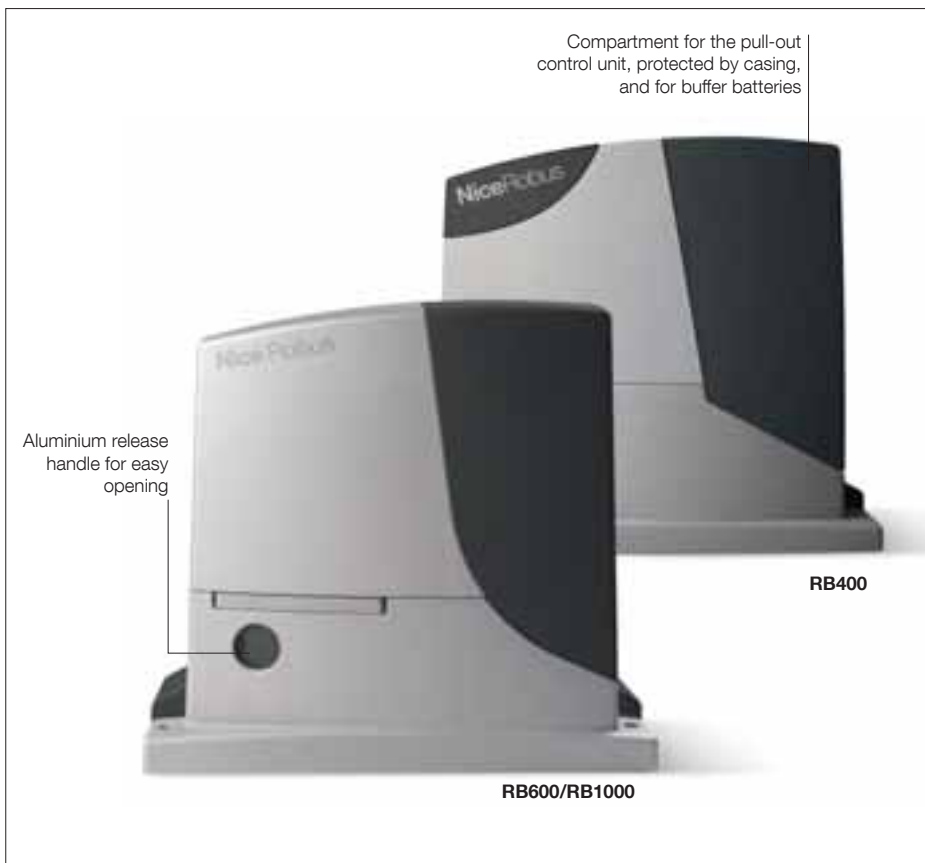
The solar power kit Solemyo to automate gates, garage doors or barrier gates, including those located far from the power mains and without the need for costly and invasive excavation work.
See pages 186/187

Opera system



The innovative Opera system enables the installer to manage, program and control automation systems, also remotely, simply and safely, with significant savings in time.
See pages 140/141





For sliding gates weighing up to 400 kg (RB400), up to 600 kg (RB600) and up to 1000 kg (RB1000).

Versions with electromechanical limit switch (RB400/RB600/RB1000) and with inductive limit switch (RB400P/RB600P/RB1000P).

User-friendly: the Nice BlueBUS technology, enables to power and control a maximum of seven couples of photocells from the MoonBus series using two wires only.

Practical: the control unit and PS124 buffer battery (optional) can be connected by means of a simple connector and can be housed directly inside the motor.

Advanced: RB400, RB600 and RB1000 are equipped with a temperature sensor: adapt the motor power to the climatic conditions and at the same time thermal cut-out. A master/slave selection automatically synchronises two motors. This means it is possible to automate 2-leaf sliding gates set opposite each other.

Intelligent: thanks to the obstacle detection system and automatic programming of the working times. Self-diagnosis by means of a flashing light. 8 programming levels.

Safe: acceleration and deceleration can be adjusted at the beginning and end of each opening and closing manoeuvre.

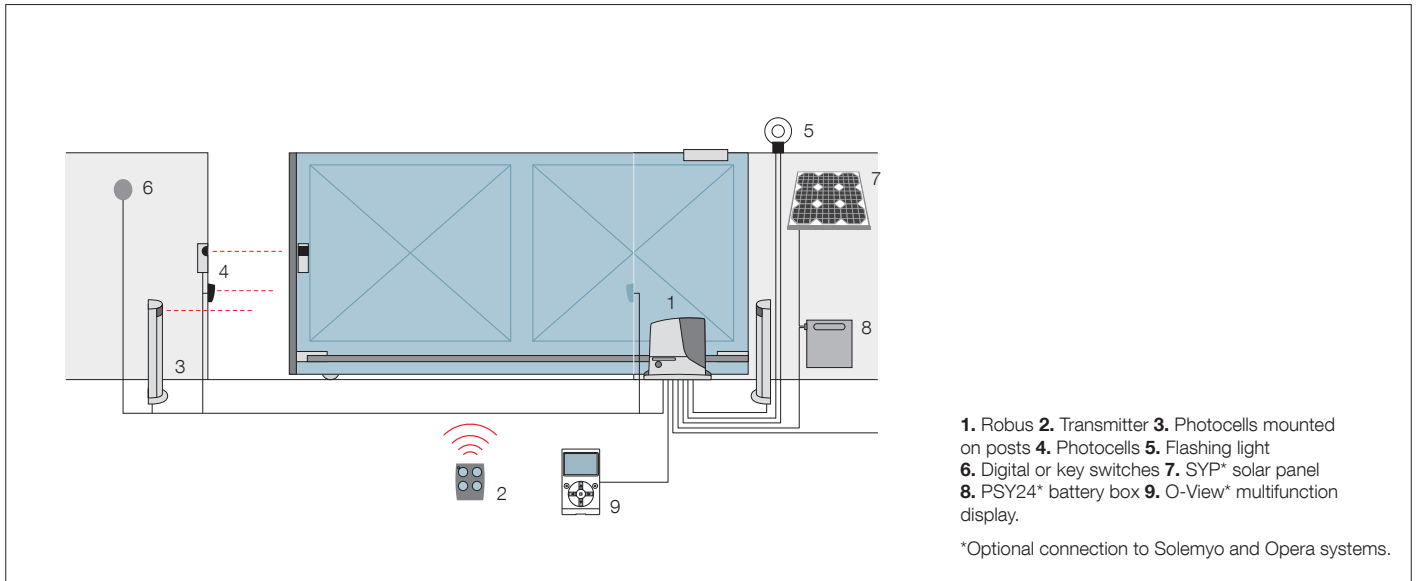
Sturdy: base and release in pressure die cast with easy to open handle.

Very quiet: gear motor on bearings.

Code	Description	Pack/pallet	Price €
RB400	Irreversible, 24 Vdc, with incorporated control unit, with electromechanical limit switch, for gates up to 400 kg	15	525,50
RB600	Irreversible, 24 Vdc, with incorporated control unit, with electromechanical limit switch, for gates up to 600 kg	15	577,50
RB600P	Irreversible, 24 Vdc, with incorporated control unit, with inductive limit switch, for gates up to 600 kg	15	639,00
RB1000	Irreversible, 24 Vdc, with incorporated control unit, with electromechanical limit switch, for gates up to 1000 kg	15	741,50
RB1000P	Irreversible, 24 Vdc, with incorporated control unit, with inductive limit switch, for gates up to 1000 kg	15	839,50

Technical specifications

Code	RB400	RB600/600P	RB1000/1000P
Electrical data			
Power supply (Vac 50/60 Hz)	230		
Absorption (A)	1.1	2.5	2.3
Power (W)	250	515	450
Performance data			
Speed (m/s)	0.34	0.31	0.28
Force (N)	400	600	900
Work cycle (cycles/hour)	35	40	50
Dimensional and general data			
Protection level (IP)	44		
Working temp. (°C Min/Max)	-20 ÷ +50		
Dimensions (mm)	330x210x303 h		
Weight (kg)	8	11	13



1. Robus **2.** Transmitter **3.** Photocells mounted on posts **4.** Photocells **5.** Flashing light **6.** Digital or key switches **7.** SYP* solar panel **8.** PSY24* battery box **9.** O-View* multifunction display.
*Optional connection to Solemyo and Opera systems.

Accessories



RBA3
Spare control unit for RB400, RB600/600P, RB1000/1000P and RUN1500/1500P.
Pc/pack 1
(see spare parts price-list)



PS124
24 V battery with integrated battery charger.
Pc/pack 1
€ 92,50



RBA1
Inductive limit switch.
Pc/pack 1
€ 79,00



ROA6
(for RB400)
M4 25x20x1000 mm slotted nylon rack with metal insert for gates weighing up to 500 kg.
Pc/pack 10
€ 190,00*



ROA7
M4 rack, zinc coated, 22x22x1000 mm.
Pc/pack 10
€ 209,50*



ROA8
M4 rack, 30x8x1000 mm, zinc coated with spacers and screws.
Pc/pack 10
€ 226,00*



TS
Signboard.
Pc/pack 1
€ 3,00

Solemyo system



The solar power kit Solemyo to automate gates, garage doors or barrier gates, including those located far from the power mains and without the need for costly and invasive excavation work.
See pages 186/187

Opera system



The innovative Opera system enables the installer to manage, program and control automation systems, also remotely, simply and safely, with significant savings in time.
See pages 140/141

RB400



For sliding gates weighing up to 400 kg.

User-friendly: the Nice BlueBUS technology, enables to power and control a maximum of seven couples of photocells from the MoonBus series using two wires only.

Practical: the control unit and PS124 buffer battery (optional) can be connected by means of a simple connector and can be housed directly inside Robus.

Advanced: RB400 is equipped with a temperature sensor: adapt the motor power to the climatic conditions and at the same time thermal cut-out. A master/slave selection automatically synchronises two motors. This means it is possible to automate 2-leaf sliding gates set opposite each other.

Intelligent: thanks to the obstacle detection system and automatic programming of the working times. Self-diagnosis by means of a flashing light. 8 programming levels.

Safe: acceleration and deceleration can be adjusted at the beginning and end of each opening and closing manoeuvre.

Sturdy: base and release in pressure die cast aluminium and epoxy paint finish.

Very quiet: gear motor on bearings.

ON2



MOFB



MOSE



MLBT



TS



The kit contains:

RB400 1 irreversible electromechanical gear motor, with incorporated control unit and OXI plug-in receiver which can be used for connections via Nice BlueBUS. **ON2** 1 transmitter 433.92 MHz, 2 channels.

MOFB 1 couple of external photocells designed for connection by Nice BlueBUS.

MOSE 1 key selector switch for outdoor installation. **MLBT** 1 flashing light with integrated aerial.

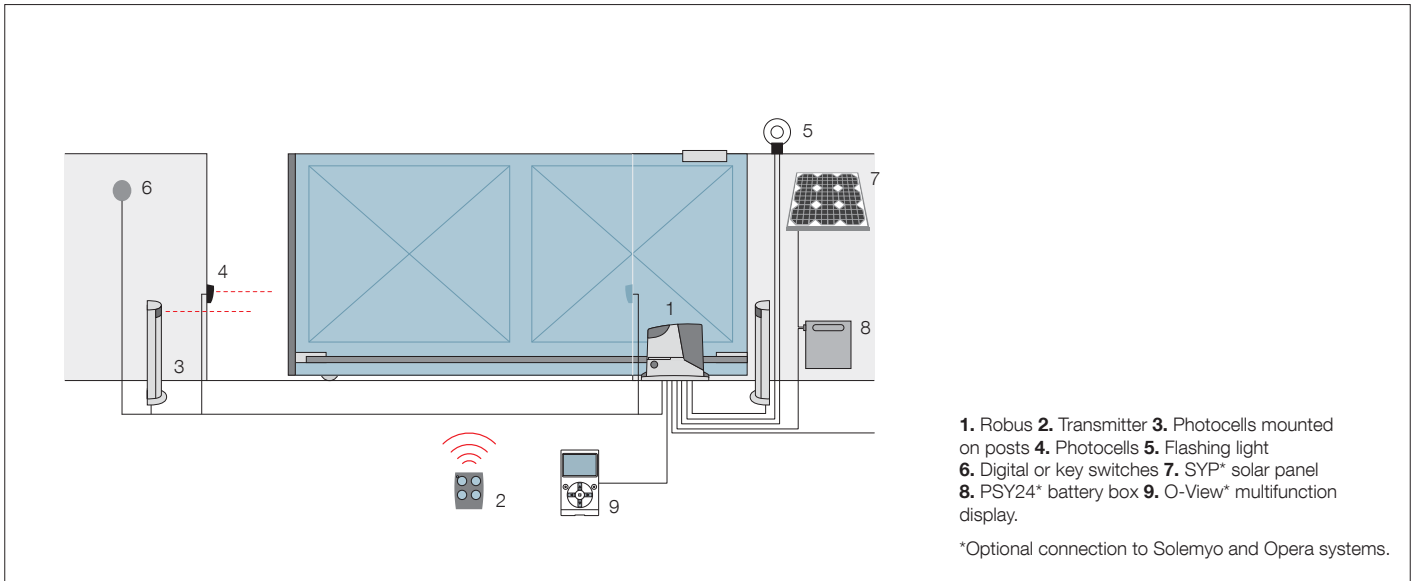
TS 1 signboard.

Code	Description	Pack/pallet	Price €
RB400KCE	Kit for the automation of sliding gates up to 400 kg, 24 Vdc, incorporated control unit	14	675,50

N.B. The content of the package may vary: consult the retailer.

Technical specifications

Code	RB400
Electrical data	
Power supply (Vac 50/60 Hz)	230
Absorption (A)	1.1
Power (W)	250
Performance data	
Speed (m/s)	0.34
Force (N)	400
Work cycle (cycles/hour)	35
Dimensional and general data	
Protection level (IP)	44
Working temp. (°C Min/Max)	-20 ÷ +50
Dimensions (mm)	330x195x277 h
Weight (kg)	8



1. Robus **2.** Transmitter **3.** Photocells mounted on posts **4.** Photocells **5.** Flashing light **6.** Digital or key switches **7.** SYP* solar panel **8.** PSY24* battery box **9.** O-View* multifunction display.
*Optional connection to Solemyo and Opera systems.

Accessories



RBA3
Spare control unit for RB400, RB600/600P, RB1000/1000P and RUN1500/1500P.
Pc/pack 1
(see spare parts price-list)



PS124
24 V battery with integrated battery charger.
Pc/pack 1
€ 92,50



RBA1
Inductive limit switch.
Pc/pack 1
€ 79,00



ROA6
M4 25x20x1000 mm slotted nylon rack with metal insert for gates weighing up to 500 kg.
Pc/pack 10
€ 190,00*



ROA7
M4 rack, zinc coated, 22x22x1000 mm.
Pc/pack 10
€ 209,50*



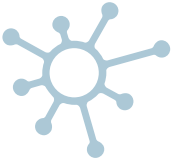
ROA8
M4 rack, 30x8x1000 mm, zinc coated with spacers and screws.
Pc/pack 10
€ 226,00*

Solemyo system



The solar power kit Solemyo to automate gates, garage doors or barrier gates, including those located far from the power mains and without the need for costly and invasive excavation work.
See pages 186/187

Opera system



The innovative Opera system enables the installer to manage, program and control automation systems, also remotely, simply and safely, with significant savings in time.
See pages 140/141



RB600



For sliding gates weighing up to 600 kg.

User-friendly: the Nice BlueBUS technology, enables to power and control a maximum of seven couples of photocells from the MoonBus series using two wires only.

Practical: the control unit and PS124 buffer battery (optional) can be connected by means of a simple connector and can be housed directly inside the motor.

Advanced: RB600 is equipped with a temperature sensor: adapt the motor power to the climatic conditions and at the same time thermal cut-out; a master/slave selection automatically synchronises two motors. This means it is possible to automate 2-leaf sliding gates set opposite each other.

Intelligent: thanks to the obstacle detection system and automatic programming of the working times. Self-diagnosis by means of a flashing light. 8 programming levels.

Safe: acceleration and deceleration can be adjusted at the beginning and end of each opening and closing manoeuvre.

Sturdy: base and release in pressure die cast with easy to open handle.

Very quiet: gear motor on bearings.

<p>ON2</p> 	<p>MOFB</p> 	<p>MOSE</p> 
<p>MLBT</p> 	<p>TS</p> 	

The kit contains:

RB600 1 irreversible electromechanical gear motor, with incorporated control unit and OXI plug-in receiver which can be used for connections via Nice BlueBUS. **ON2** 1 transmitter 433.92 MHz, 2 channels.

MOFB 1 couple of external photocells designed for connection by Nice BlueBUS.

MOSE 1 key selector switch for outdoor installation. **MLBT** 1 flashing light with integrated aerial.

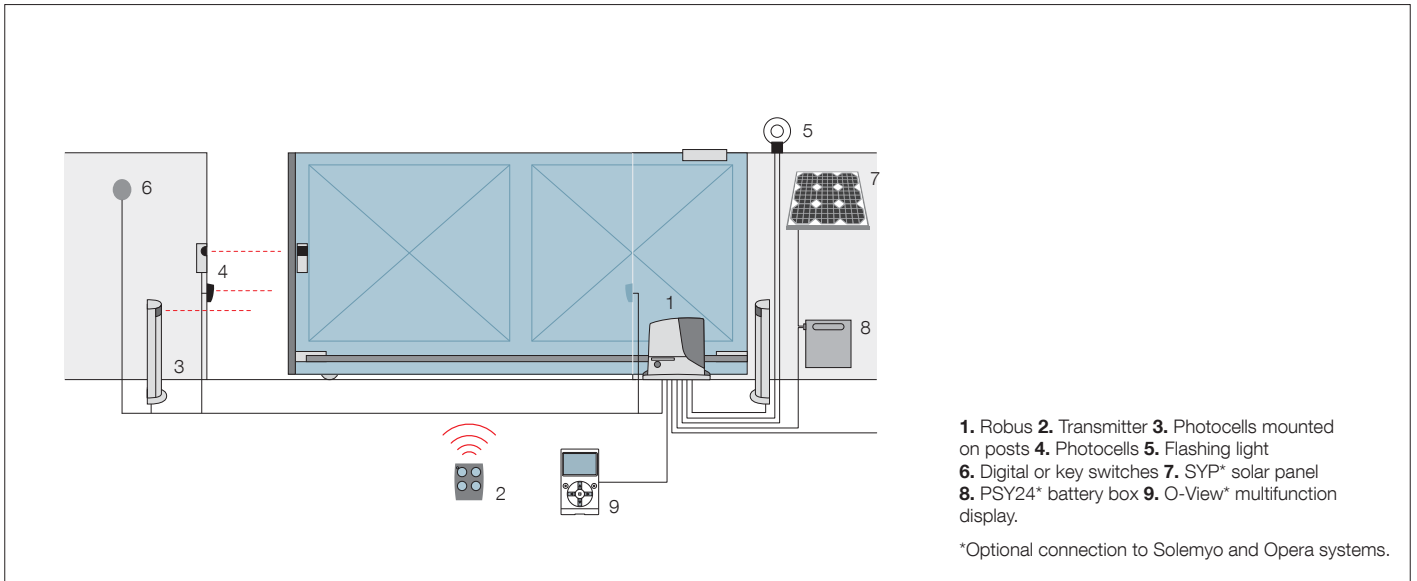
TS 1 signboard.

Code	Description	Pack/pallet	Price €
RB600KCE	Kit for the automation of sliding gates up to 600 kg, 24 Vdc, incorporated control unit	14	724,50

N.B. The content of the package may vary: consult the retailer.

Technical specifications

Code	RB600
Electrical data	
Power supply (Vac 50/60 Hz)	230
Absorption (A)	2.5
Power (W)	515
Performance data	
Speed (m/s)	0.31
Force (N)	600
Work cycle (cycles/hour)	40
Dimensional and general data	
Protection level (IP)	44
Working temp. (°C Min/Max)	-20 ÷ +50
Dimensions (mm)	330x210x303h
Weight (kg)	11



Accessories



RBA3
Spare control unit for RB400, RB600/600P, RB1000/1000P and RUN1500/1500P.
Pc/pack 1
(see spare parts price-list)



PS124
24 V battery with integrated battery charger.
Pc/pack 1
€ 92,50



RBA1
Inductive limit switch.
Pc/pack 1
€ 79,00



ROA7
M4 rack, zinc coated, 22x22x1000 mm.
Pc/pack 10
€ 209,50*



ROA8
M4 rack, 30x8x1000 mm, zinc coated with spacers and screws.
Pc/pack 10
€ 226,00*

Solemyo system



The solar power kit Solemyo to automate gates, garage doors or barrier gates, including those located far from the power mains and without the need for costly and invasive excavation work.
See pages 186/187

Opera system



The innovative Opera system enables the installer to manage, program and control automation systems, also remotely, simply and safely, with significant savings in time.
See pages 140/141



RD300



For sliding gates weighing up to 300 kg and up to 6 m length.

Practical: built-in control unit, can be connected by means of a simple connector and can be housed directly inside the motor; incorporated radio card, compatible with the Nice Flo and Smilo systems: 150 transmitters can be entered!

Advanced: the speed, strength and pause can all be adjusted.

Intelligent: thanks to the obstacle detection system and automatic programming of the working times. Self-diagnosis by means of a flashing light.

Safe: acceleration and deceleration can be adjusted at the beginning and end of each opening and closing manoeuvre.

FLO2R-S



MOF



MOSE



MLBT



TS



The kit contains:

RD300 1 irreversible electromechanical gear motor, 24 Vdc, with incorporated control unit and receiver.
FLO2R-S 1 transmitter 433.92 MHz, 2 channels. **MOF** 1 pair of photocells for outdoor installation.
MOSE 1 key selector switch for outdoor installation. **MLBT** 1 flashing light with integrated aerial.
TS 1 signboard.

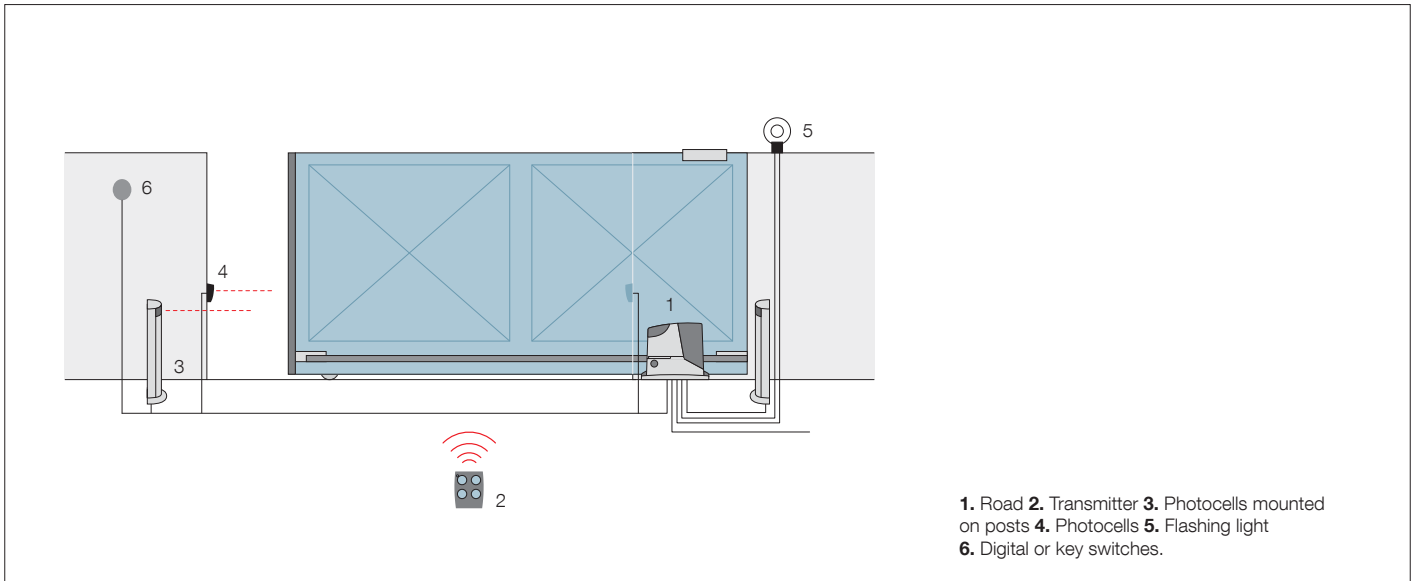
Code	Description	Price €
RDKCE	Kit for the automation of sliding gates up to 300 kg and up to 6 m length, 24 Vdc, with incorporated control unit and receiver	625,50

N.B. The content of the package may vary: consult the retailer.

Technical specifications

Code	RD300
Electrical data	
Power supply (Vac 50/60 Hz)	230
Absorption (A)	1.1
Power (W)	210
Performance data	
Speed (m/s)	0.25
Force (N)	300
Work cycle (cycles/hour)	20
Dimensional and general data	
Protection level (IP)	44
Working temp. (°C Min/Max)	-20 ÷ +50
Dimensions (mm)	330x195x277 h
Weight (kg)	8

* The price refers to the sale pack. Nice recommends customers order products in pallets in order to facilitate storage and delivery, and ensure packs are uniform. The number of packs per single pallet has been specified for this reason. Approximate draft.



1. Road 2. Transmitter 3. Photocells mounted on posts 4. Photocells 5. Flashing light 6. Digital or key switches.

Accessories



RBA4
Spare control unit for RDKCE.
(see spare parts price-list)



CM-B
Pawl with two metal release keys.
(see spare parts price-list)



LO5
Plastic rack 26x26x500 mm, for gates weighing up to 400 kg.
Pc/pack 10
€ 72,00*



ROA6
M4 25x20x1000 mm slotted nylon rack with metal insert for gates weighing up to 500 kg.
Pc/pack 10
€ 190,00*



ROA7
M4 rack, zinc coated, 22x22x1000 mm.
Pc/pack 10
€ 209,50*



ROA8
M4 rack, 30x8x1000 mm, zinc coated with spacers and screws.
Pc/pack 10
€ 226,00*





For sliding gates weighing up to 1500 kg.

Versions with electromechanical limit switch (RUN1500) and with inductive limit switch (RUN1500P).

User-friendly: the BlueBUS technology, enables to power and control a maximum of 7 couples of photocells from the MoonBus series using two wires only.

Practical: the control unit and PS124 buffer battery (optional) can be connected by means of a simple connector and can be housed directly inside the motor.

Advanced: the temperature sensor adapts the motor force to weather conditions, setting the thermal cut-out protection accordingly; a master/slave selection automatically synchronises 2 motors, enabling the automation of sliding gates with two opposing leaves.

Intelligent: thanks to the obstacle detection system and automatic programming of the working times. Self-diagnosis by means of a flashing light. 8 programming levels.

Safe: acceleration and deceleration can be adjusted at the beginning and end of each opening and closing manoeuvre.

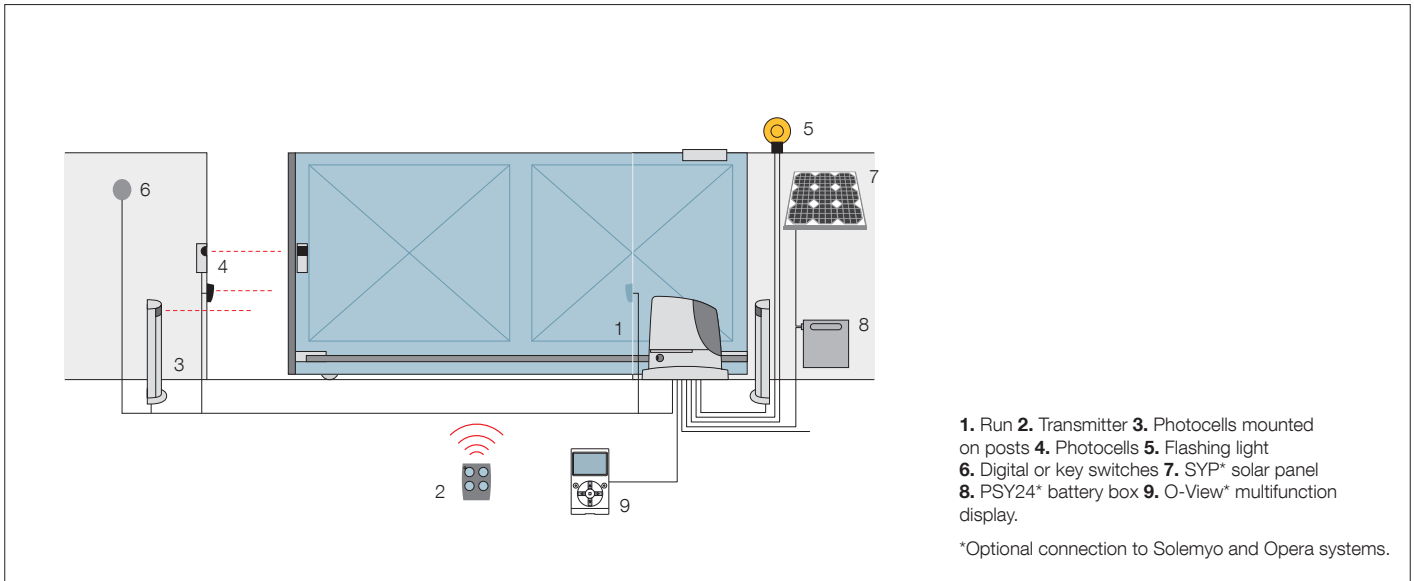
Sturdy: aluminium release handle for easy opening.

Very quiet: gear motor on bearings.

Code	Description	Pack/pallet	Price €
RUN1500	Irreversible, 24 Vdc, with built-in control unit, with electromechanical limit switch, for sliding gates weighing up to 1500 kg	12	957,50
RUN1500P	Irreversible, 24 Vdc, with built-in control unit, with inductive limit switch, for sliding gates weighing up to 1500 kg	12	1.030,00

Technical specifications

Code	RUN1500/1500P
Electrical data	
Power supply (Vac 50/60 Hz)	230
Absorption (A)	2
Power (W)	400
Performance data	
Speed (m/s)	0.25
Force (N)	1000
Work cycle (cycles/hour)	60
Dimensional and general data	
Protection level (IP)	44
Working temp. (°C Min/Max)	-20 ÷ +50
Dimensions (mm)	400x255x390 h
Weight (kg)	19



Accessories



RBA3
Spare control unit
for RB400, RB600/600P,
RB1000/1000P
and RUN1500/1500P.
Pc/pack 1
(see spare parts price-list)



PS124
24 V battery
with integrated
battery charger.
Pc/pack 1
€ 92,50



RBA1
Inductive limit switch.
Pc/pack 1
€ 79,00



ROA7
M4 rack, zinc coated,
22x22x1000 mm.
Pc/pack 10
€ 209,50*



ROA8
M4 rack, 30x8x1000 mm,
zinc coated with spacers
and screws.
Pc/pack 10
€ 226,00*



ROA81
M6 rack, 30x30x1000 mm,
zinc coated, to be
coupled with RUA12.
Pc/pack 1
€ 48,00



RUA12
12-teeth pinion,
module 6, to be coupled
with rack ROA81.
The Run automation is supplied
with a module 4 pinion to be
used with the standard racks
ROA7 and ROA8.
Pc/pack 1
€ 46,60



TS
Signboard.
Pc/pack 1
€ 3,00

Solemyo system



The solar power kit
Solemyo to automate
gates, garage doors
or barrier gates, including
those located far from
the power mains
and without the need
for costly and invasive
excavation work.
See pages 186/187

Opera system



The innovative Opera
system enables
the installer to manage,
program and control
automation systems,
also remotely, simply
and safely, with significant
savings in time.
See pages 140/141



Compartment for control unit and inverter, protected by a removable box

Pressure die-cast aluminium base and release, with epoxy painting

For sliding gates weighing up to 1800 kg (RUN1800) and up to 2500 kg (RUN2500).

Ventilated motor with inductive limit switch (RUN1800P/RUN2500P) or electromechanical limit switch (RUN1800/RUN2500I/RUN2500).

Suitable to operate in extreme conditions, in systems for intensive use.

Simple to install: the BlueBUS system enables connections by means of just two wires between the control unit and up to 15 control safety and signalling devices.

Safe: the acceleration settings (at the start of the manoeuvre) and the deceleration settings (at the end of the manoeuvre) are precise and reliable.

The temperature sensor: Run is able to manage force, adapting it to the different climatic and environmental conditions, while adapting the thermal cut-out protection and intensity of self-ventilation, depending on the temperature reading.

A **master/slave** selection also automatically synchronises 2 motors, enabling the automation of sliding gates with two opposing leaves.

Practical and functional: the control unit (and inverter on version RUN2500I), housed inside Run, can be simply connected by means of the practical connector guide.

Very quiet: gear motor on bearings.

RUN2500I version with built-in inverter

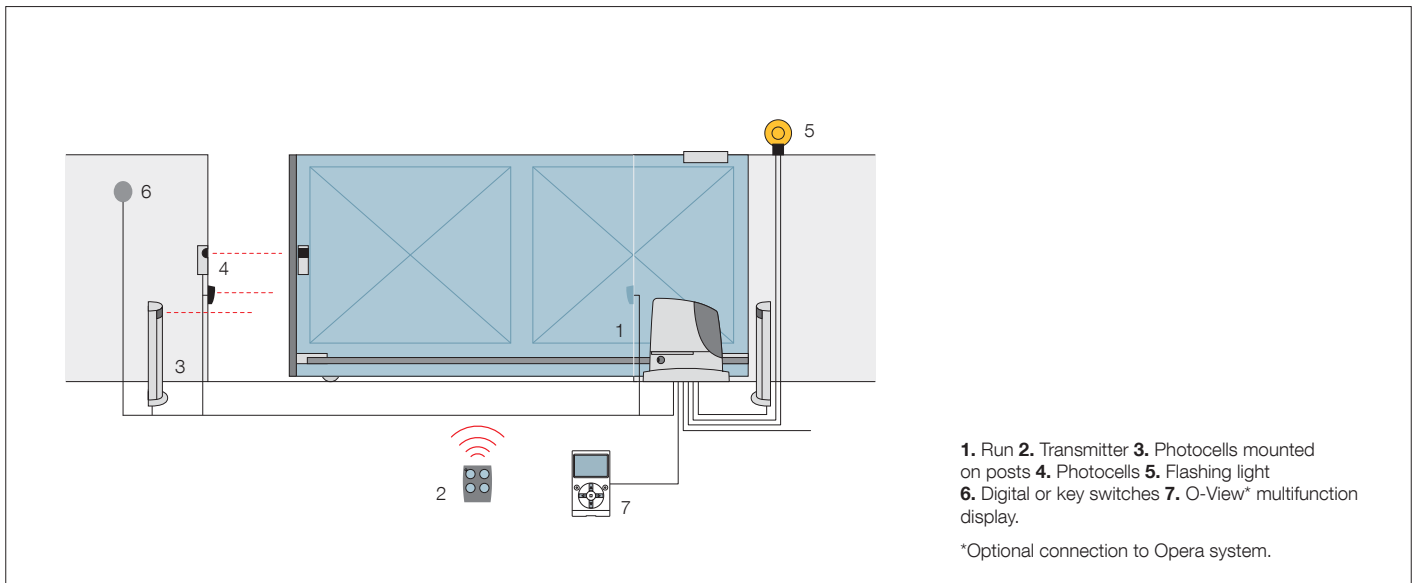
Perfect movement: the inverter enables the power supply and drive of the 3-phase motor with single-phase current at 230 Vac, acting on the frequency to adjust speed of the automation from a minimum of 8.2 m/min to maximum 15.4 m/min. In the automation deceleration phase, the inverter, which dialogues with the control unit, increases the torque, thus improving performance and reducing the risk of the automation blocking on impact with obstacles.

Code	Description	Pack/pallet	Price €
RUN1800	Irreversible, 230 Vac, with built-in control unit, with electromechanical limit switch, for sliding gates weighing up to 1800 kg	12	919,00
RUN1800P	Irreversible, 230 Vac, with built-in control unit, with inductive limit switch, for sliding gates weighing up to 1800 kg	12	988,50
RUN2500	Irreversible, 230 Vac, with built-in control unit, with electromechanical limit switch, for sliding gates weighing up to 2500 kg	12	1.019,50
RUN2500P	Irreversible, 230 Vac, with built-in control unit, with inductive limit switch, for sliding gates weighing up to 2500 kg	12	1.096,00
RUN2500I	Irreversible, 230 Vac, with built-in control unit and inverter, with electromechanical limit switches, for sliding gates weighing up to 2500 kg	12	1.229,00

Technical specifications

Code	RUN1800/1800P	RUN2500/2500P	RUN2500I
Electrical data			
Power supply (Vac/Hz)	230/50*		230/50-60
Absorption (A)	3	3.8	3.7
Power (W)	700	870	650
Performance data			
Speed (m/s)	0.17		0.26
Force (N)	1110	1390	1660
Work cycle (cycles/hour)	42		56
Dimensional and general data			
Protection level (IP)	44		
Working temp. (°C Min/Max)	-20 ÷ +50		
Dimensions (mm)	400x255x390 h		
Weight (kg)	24.5	25	

*60 Hz version available on request.



Accessories



RUA1
Spare control unit for RUN1800/1800P and RUN2500/2500P.
Pc/pack 1
(see spare parts price-list)



RUA2
Spare control unit for RUN2500L.
Pc/pack 1
(see spare parts price-list)



RUA3
Spare inverter for RUN2500L.
Pc/pack 1
(see spare parts price-list)



ROA7
M4 rack, zinc coated, 22x22x1000 mm.
Pc/pack 10
€ 209,50*



ROA8
M4 rack, 30x8x1000 mm, zinc coated with spacers and screws.
Pc/pack 10
€ 226,00*



ROA81
M6 rack, 30x30x1000 mm, zinc coated, to be coupled with RUA12.
Pc/pack 1
€ 48,00



RUA12
12-teeth pinion, module 6, to be coupled with rack ROA81. The Run automation is supplied with a module 4 pinion to be used with the standard racks ROA7 and ROA8.
Pc/pack 1
€ 46,60



TS
Signboard.
Pc/pack 1
€ 3,00

Opera system



The innovative Opera system enables the installer to manage, program and control automation systems, also remotely, simply and safely, with significant savings in time. See pages 140/141



For sliding gates weighing up to 3500 kg.

Ideal for industrial use.

Irreversible electromechanical 400 Vac gear motor with built-in Mindy A500 control unit.

Powerful: 550 W absorbed output and a peak thrust of over 400 Nm.

Functionality and safety: programmable, electronic brake which prevents gate inertia; self-ventilated motor to increase the working cycles; optional PIU card to increase the basic functions; possibility of slowdown.

Maximum durability and silence: bronze and metal gears.

Advanced: Tub meets all requirements in terms of control, thanks to the functions which can be selected by means of dipswitches.

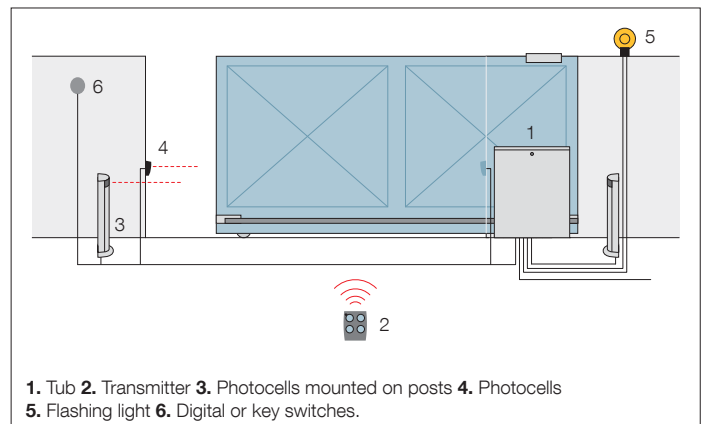
Practical: the lever release enables safe and simple operation.

Code	Description	Price €
TUB3500	Irreversible, electromechanical limit switch, 400 Vac, with built-in Mindy A500 control unit	2.583,00

Technical specifications

Code	TUB3500
Electrical data	
Power supply (Vac 50 Hz)*	400
Absorption (A)	1.65
Power (W)	550
Performance data	
Speed (m/s)	0.17
Force (N)	7740
Work cycle (cycles/day)	200
Dimensional and general data	
Protection level (IP)	44
Working temp. (°C Min/Max)	-20 ÷ +50
Dimensions (mm)	480x240x580 h
Weight (kg)	60

*Usable also at 60 Hz with consequent change in performance ratings.



Accessories



A500
Spare control unit.
Pc/pack 1
€ 379,00



PIU
Expansion card for control unit.
Pc/pack 1
€ 41,80



ROA81
M6 rack, 30x30x1000 mm, zinc coated.
Pc/pack 1
€ 48,00



TS
Signboard.
Pc/pack 1
€ 3,00



For sliding gates or on motors with pinion.

Plastic racks are available for lightweight gates up to 400 kg (LO5) and up to 500 kg (ROA6) and galvanised racks, ideal for any type of sliding gate, residential and industrial: ROA7 for direct welding on the gate, and the practical ROA8 (the spacers are welded onto the gate, and then the rack is screwed onto the spacers).



LO5
Plastic rack
26x26x500 mm,
for gates weighing
up to 400 kg.
Pc/pack 10
€ 72,00*



ROA6
M4 25x20x1000 mm
slotted nylon rack
with metal insert
for gates weighing
up to 500 kg.
Pc/pack 10
€ 190,00*



ROA7
M4 rack, zinc coated,
22x22x1000 mm.
Pc/pack 10
€ 209,50*



ROA8
M4 rack, 30x8x1000 mm,
zinc coated with spacers
and screws.
Pc/pack 10
€ 226,00*



ROA81
M6 rack,
30x30x1000 mm,
zinc coated.
Pc/pack 1
€ 48,00

* The price refers to the sale pack. Nice recommends customers order products in pallets in order to facilitate storage and delivery, and ensure packs are uniform. The number of packs per single pallet has been specified for this reason. Approximate draft.

Barrier gate operator systems

- 4|11 The Nice World
- 12|65 Systems for swing gates
- 66|85 Systems for sliding gates
- 86|109 Barrier gate operator systems**
- 110|137 Systems for garage and industrial doors
- 138|179 Control systems
- 180|205 Accessories
- 206|225 Control units
- 226|229 Product code alphabetical index



NiceBar System

90|91 L -Bar
92|95 M -Bar
96|97 S -Bar

100|101 X-Bar
102|105 Signo
106|109 Wil

Nice S/M/L Bar

Integrated solutions for all requirements.

New range of barrier gate operators to control road access to car parks, industrial, private and block of flats transit areas, including high traffic ones.

5 models in 3 standard versions, up to 7 modular bars from 3 to 9 m.

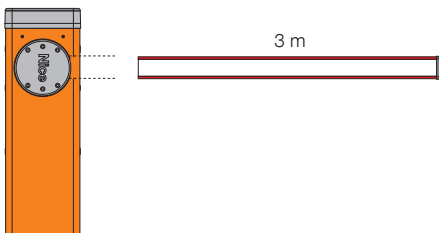
Easy transport and optimised management in the warehouse.





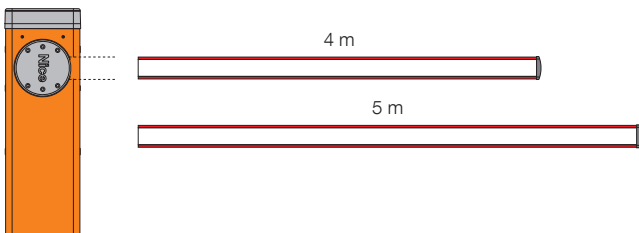
SBAR

- With specific 4 m bar
Provision for:
protective rubber trim
and indicator lights



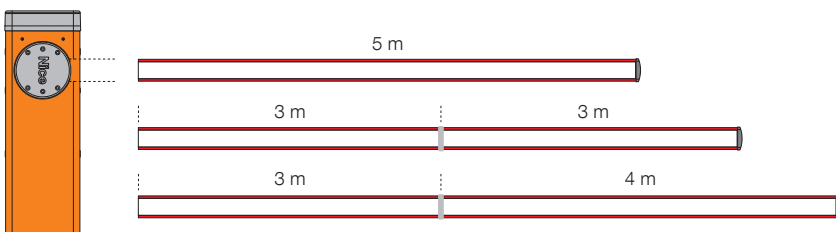
M3BAR

- With 3 m bar
Provision for:
protective rubber trim
and indicator lights



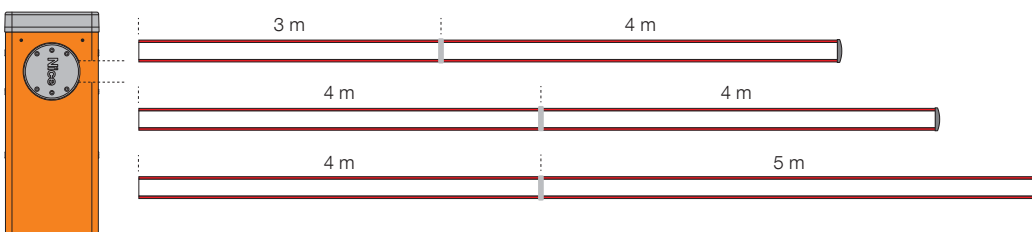
M5BAR

- With 4 m bar
Provision for:
protective rubber trim,
indicator lights,
rack, mobile stand
- With 5 m bar
Provision for:
protective rubber trim
and indicator lights



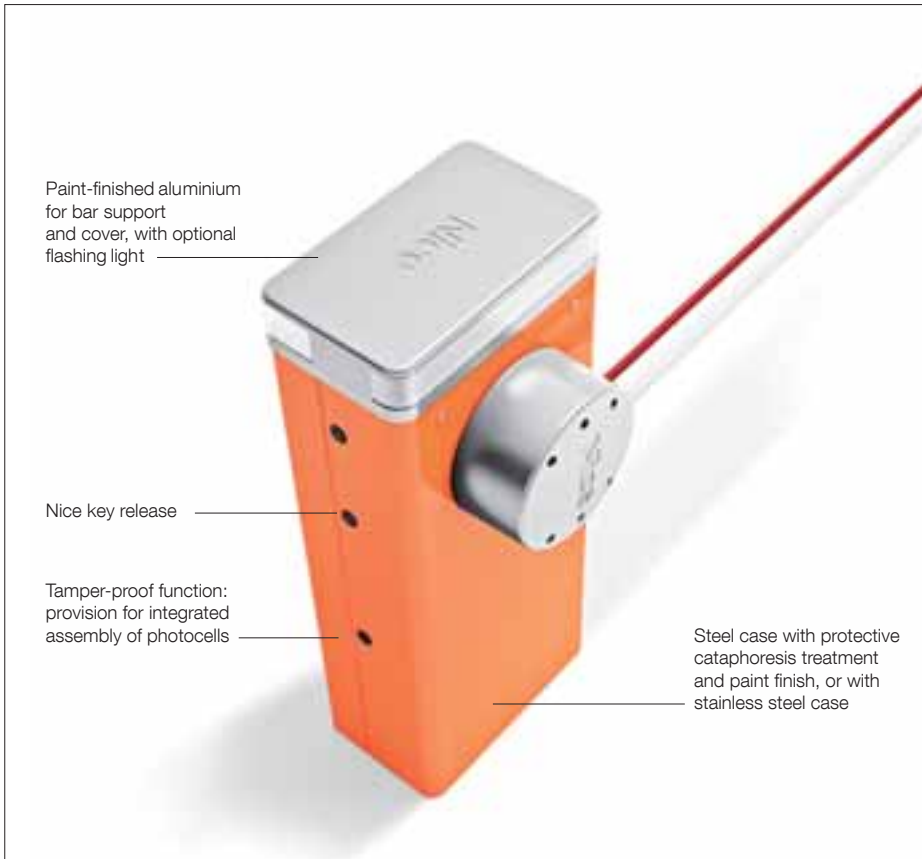
M7BAR

- With 5 m bar
Provision for:
protective rubber trim, indicator lights,
rack, mobile stand
 - With bar up to 6 m (3+3 m)*
Provision for:
protective rubber trim, indicator lights,
rack, mobile stand
 - With bar up to 7 m (3+4 m)*
Provision for:
protective rubber trim
and indicator lights
- *Use XBA9 joint to assemble bars



LBAR

- With bar of 7 m (3+4 m)*
Provision for:
protective rubber trim, indicator lights,
rack, mobile stand
 - With bar of 8 m (4+4 m)*
Provision for:
protective rubber trim, indicator lights,
rack, mobile stand
 - With bar of 9 m (4+5 m)*
Provision for:
protective rubber trim
and indicator lights
- *Use XBA9 joint to assemble bars



Electromechanical road barrier system for control of road access.

24 Vdc gear motor with built-in control unit and loop detector.

Powerful and fast, for bars from 7 to 9 m.

Modular: bars of 7, 8 and 9 metres are easily assembled using the aluminium expansion joint.

Possibility for intelligent control of two opposing automations thanks to **“master/slave” function**.

Strength and reliability: robust structure in steel, new high strength balancing springs guaranteed up to 1,000,000 opening and closing operations and elliptical section bar with high wind-gust resistance.

Optional flashing or traffic light can be integrated in cover.

Encoder movement control and electromechanical limit switches.

More comfort and safety in programming and maintenance phases: the separate enclosures for electronics and mechanics protect internal parts from potential risks.

Rapid and easy access to the control unit located in the upper section of the barrier body.

Simple fixture of the completely concealed photocells onto the specially designed seats on the barrier body.

More safety and reliability: obstacle detection and monitoring of motor absorption during automation movement.

Automatic fault diagnostics during operation with consequent signalling of fault type through specific flash sequences.

Provision for connection of latest generation optical and resistive sensitive edges (with 8.2 KOhm resistance).

Energy saving: the system sets to standby when not in use to save consumption.

No blackouts: emergency backup power with the optional batteries housed inside the case.

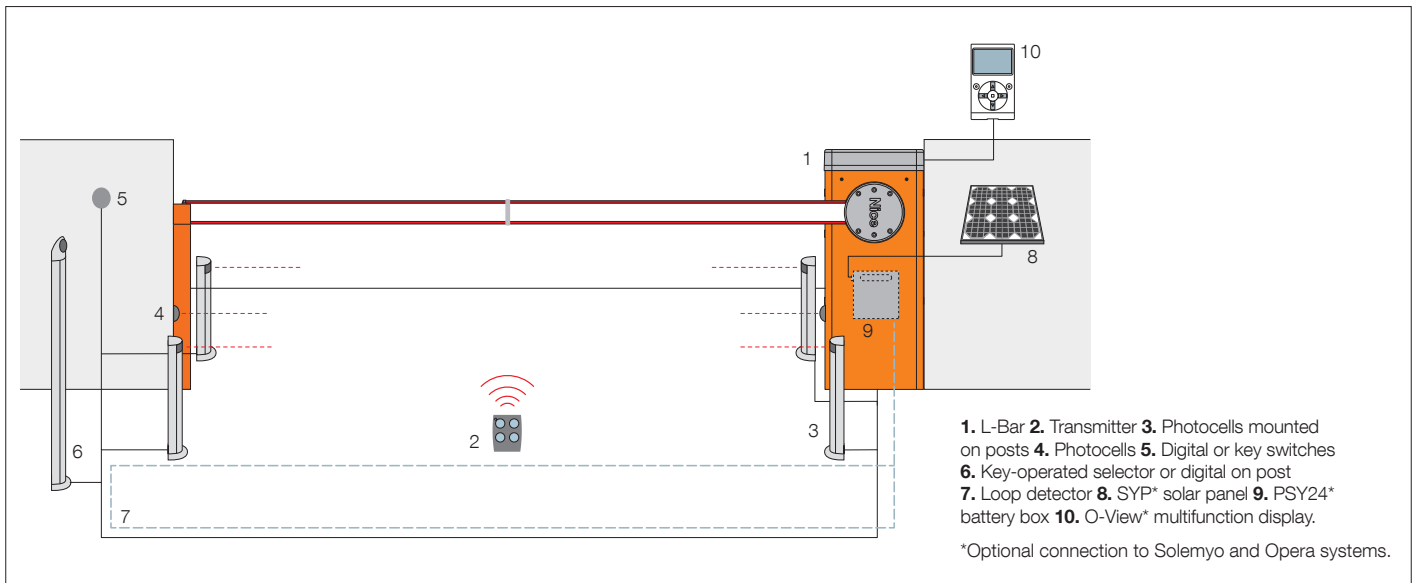
Release from side with metal key, can be installed on either side.

For bars up to 9 m, irreversible 230 Vac, 24 Vdc motor, with foundation plate:

Code	Description	Price €
LBAR	With steel case with protective cataphoresis treatment and paint finish	3.220,00
LBARI	With stainless steel case	4.427,50

Technical specifications

Code	LBAR	LBARI
Electrical data		
Power supply (Vac 50/60 Hz)	230	
Absorption (A)	1.3	
Power (W)	160	
Performance data		
Speed (s)	8 ÷ 12	
Torque (Nm)	400	
Work cycle (cycles/hour)	150	
Dimensional and general data		
Protection level (IP)	44	
Working temp. (°C Min/Max)	-20 ÷ +50	
Dimensions (mm)	500x299x1215 h	
Weight (kg)	98	



Accessories



XBA3
Spare control unit.
Pc/pack 1
(see spare parts price-list)



PS224
24 Vdc buffer batter.
Pc/pack 1
€ 155,50



XBA15
White paint-finished
aluminium bar
69x92x3150 mm.
Pc/pack 1
€ 142,00



XBA14
White paint-finished
aluminium bar
69x92x4150 mm
Pc/pack 1
€ 168,00



XBA5
White paint-finished
aluminium bar
69x92x5150 mm.
Pc/pack 1
€ 212,00



XBA9
Expansion joint.
Pc/pack 1
€ 60,00



XBA13
Rubber impact protection
strip. Length 1 m.
Pc/pack 9
€ 69,00*



WA10
Red adhesive
reflector strips.
Pc/pack 24
€ 30,90*



XBA18
Indicator lights for click
fixture on upper or lower
side of bar. Length 8 m.
Pc/pack 1
€ 140,00



XBA8
Integrable traffic light.
Pc/pack 1
€ 150,00



XBA7
Integrable flashing light.
Pc/pack 1
€ 150,00



WA13
Aluminium rack up to 2 m.
Pc/pack 1
€ 102,00



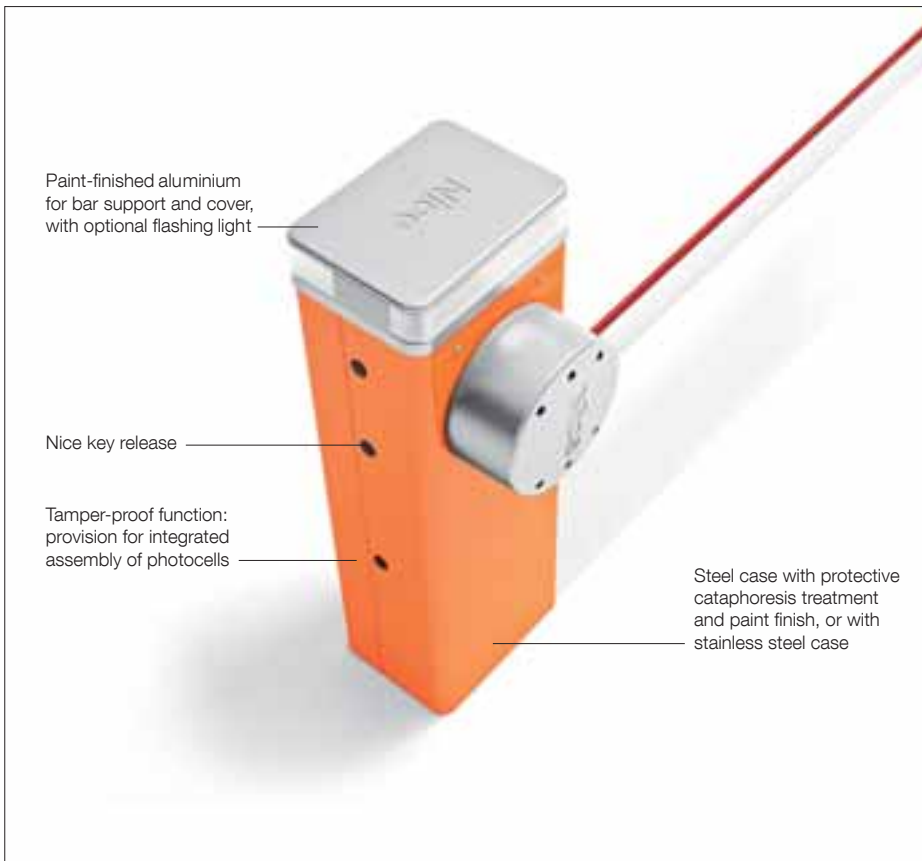
XBA17
Anchorage base with
clamps, for LBAR.
Pc/pack 1
€ 118,00



WA12
Mobile stand for bars
- *New fully reinforced
version.*
Pc/pack 1
€ 155,00



WA11
Adjustable stand
for bars.
Pc/pack 1
€ 96,50



Electromechanical road barrier system for control of road access.

24 Vdc gear motor with built-in control unit and loop detector.

For bars up from 3 to 7 m.

Practical installation: bars of 7, 8 and 9 metres are easily assembled using the aluminium expansion joint.

Possibility for intelligent control of two opposing automations thanks to **“master/slave” function.**

Strength and reliability: robust structure in steel, new high strength balancing springs guaranteed up to 1,000,000 opening and closing operations and elliptical section bar with high wind-gust resistance.

Optional flashing or traffic light can be integrated in cover.

Encoder movement control and electromechanical limit switches.

More comfort and safety in programming and maintenance phases: the separate enclosures for electronics and mechanics protect internal parts from potential risks.

Rapid and easy access to the control unit located in the upper section of the barrier body.

Simple fixture of the completely concealed photocells onto the specially designed seats on the barrier body.

More safety and reliability: obstacle detection and monitoring of motor absorption during automation movement.

Automatic fault diagnostics during operation with consequent signalling of fault type through specific flash sequences.

Provision for connection of latest generation optical and resistive sensitive edges (with 8.2 KOhm resistance).

Energy saving: the system sets to standby when not in use to save consumption.

No blackouts: emergency backup power with the optional batteries housed inside the case.

Release from side with metal key, can be installed on either side.

With bar up to 3 m, irreversible 230 Vac, 24 Vdc motor, with foundation plate:

Code	Description	Price €
M3BAR	With steel case with protective cataphoresis treatment and paint finish	2.430,00
M3BARI	With stainless steel case	3.417,00

With bar up to 4 or 5 m, irreversible 230 Vac, 24 Vdc motor, with foundation plate:

Code	Description	Price €
M5BAR	With steel case with protective cataphoresis treatment and paint finish	2.430,00
M5BARI	With stainless steel case	3.417,00

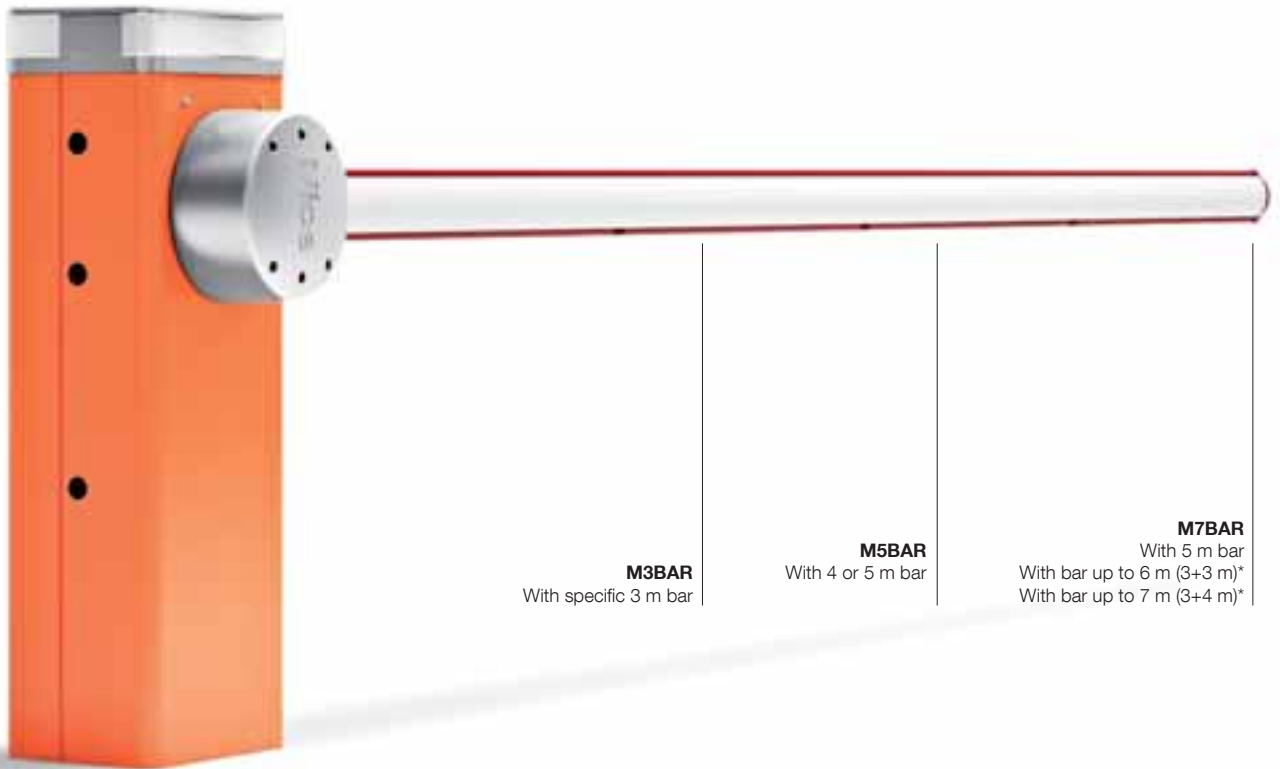
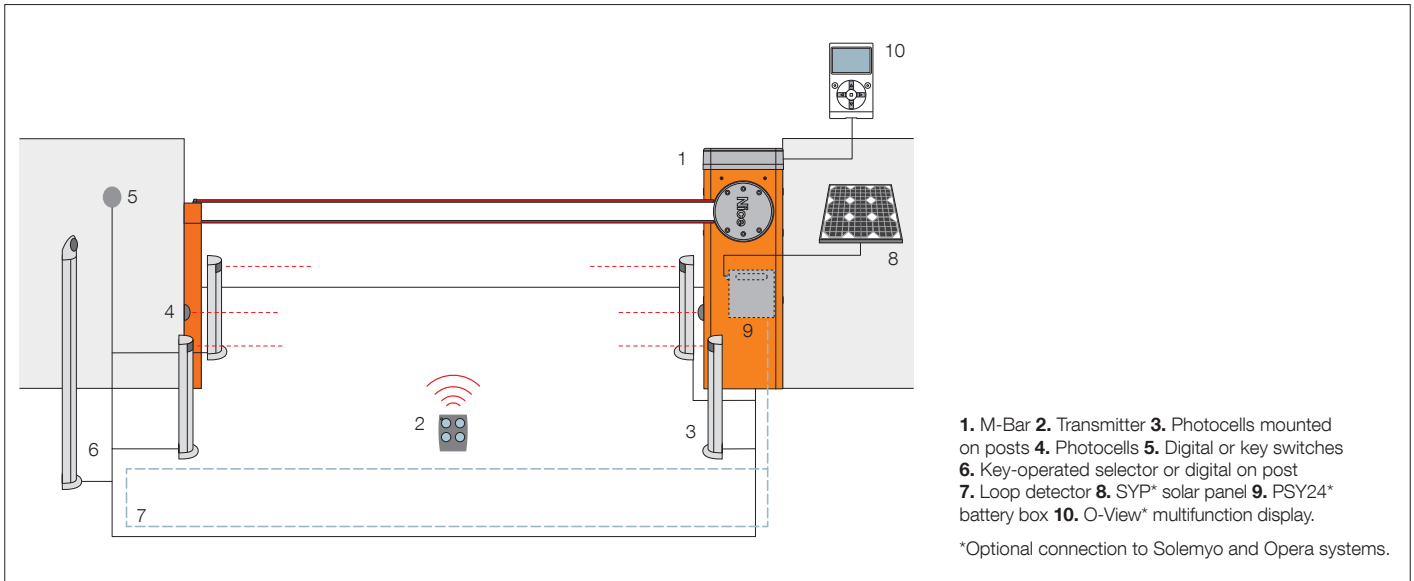
With bar up to 5, 6 or 7 m, irreversible 230 Vac, 24 Vdc motor, with foundation plate:

Code	Description	Price €
M7BAR	With steel case with protective cataphoresis treatment and paint finish	2.580,00
M7BARI	With stainless steel case	3.544,50

Technical specifications

Code	M3BAR	M3BARI	M5BAR	M5BARI	M7BAR	M7BARI
Electrical data						
Power supply (Vac 50/60 Hz)	230					
Power supply (Vdc)	24					
Absorption (A)	1.3		1.1		1.1	
Power (W)	150		110		110	
Performance data						
Speed min.÷max. (s)	1.5 ÷ 4		3 ÷ 6		6 ÷ 10	
Torque (Nm)	100		200		300	
Work cycle (cycles/hour)	500		350		200	
Dimensional and general data						
Protection level (IP)	44					
Working temp. (°C Min/Max)	-20 ÷ +50					
Dimensions (mm)	400x299x1215 h					
Weight (kg)	80			85		

* The price refers to the sale pack. Nice recommends customers order products in pallets in order to facilitate storage and delivery, and ensure packs are uniform. The number of packs per single pallet has been specified for this reason. Approximate draft.



M3BAR
With specific 3 m bar

M5BAR
With 4 or 5 m bar

M7BAR
With 5 m bar
With bar up to 6 m (3+3 m)*
With bar up to 7 m (3+4 m)*

*Use XBA9 joint to assemble bars

Nice Accessories M-Bar

Accessories for M3BAR, M5BAR, M7BAR



XBA3
Spare control unit.
Pc/pack 1
(see spare parts price-list)



PS224
24 Vdc buffer battery.
Pc/pack 1
€ 155,50



XBA13
Rubber impact protection strip. Length 1 m.
Pc/pack 9
€ 69,00*



WA10
Red adhesive reflector strips.
Pc/pack 24
€ 30,90*



XBA8
Integrable traffic light.
Pc/pack 1
€ 150,00



XBA7
Integrable flashing light.
Pc/pack 1
€ 150,00



XBA16
Anchorage base with clamps, for MBAR.
Pc/pack 1
€ 108,00



WA11
Adjustable stand for bars.
Pc/pack 1
€ 96,50

Accessories for M3BAR



XBA15
White paint-finished aluminium bar 69x92x3150 mm.
Pc/pack 1
€ 142,00



XBA4
Indicator lights for click fixture on upper or lower side of bar. Length 4 m.
Pc/pack 1
€ 75,00



XBA10
Pivoting connection for bars up to 4 m.
Pc/pack 1
€ 220,00



XBA11
Joint for bars XBA15 (from 1950 mm to 2400 mm).
Pc/pack 1
€ 281,00



XBA14
White paint-finished aluminium bar
69x92x4150 mm
Pc/pack 1
€ 168,00



XBA5
White paint-finished aluminium bar
69x92x5150 mm.
Pc/pack 1
€ 212,00



XBA4
Indicator lights for click fixture on upper or lower side of bar. Length 4 m.
Pc/pack 1
€ 75,00



XBA6
Indicator lights for click fixture on upper or lower side of bar. Length 6 m.
Pc/pack 1
€ 100,00



XBA10
Pivoting connection for bars up to 4 m.
Pc/pack 1
€ 220,00



XBA11
Joint for bars XBA15 (from 1950 mm to 2400 mm).
Pc/pack 1
€ 281,00



WA12
Mobile stand for bars - *New fully reinforced version.*
Pc/pack 1
€ 155,00



WA13
Aluminium rack up to 2 m.
Pc/pack 1
€ 102,00



XBA15
White paint-finished aluminium bar
69x92x3150 mm.
Pc/pack 1
€ 142,00



XBA14
White paint-finished aluminium bar
69x92x4150 mm
Pc/pack 1
€ 168,00



XBA5
White paint-finished aluminium bar
69x92x5150 mm.
Pc/pack 1
€ 212,00



XBA9
Expansion joint.
Pc/pack 1
€ 60,00



XBA6
Indicator lights for click fixture on upper or lower side of bar. Length 6 m.
Pc/pack 1
€ 100,00



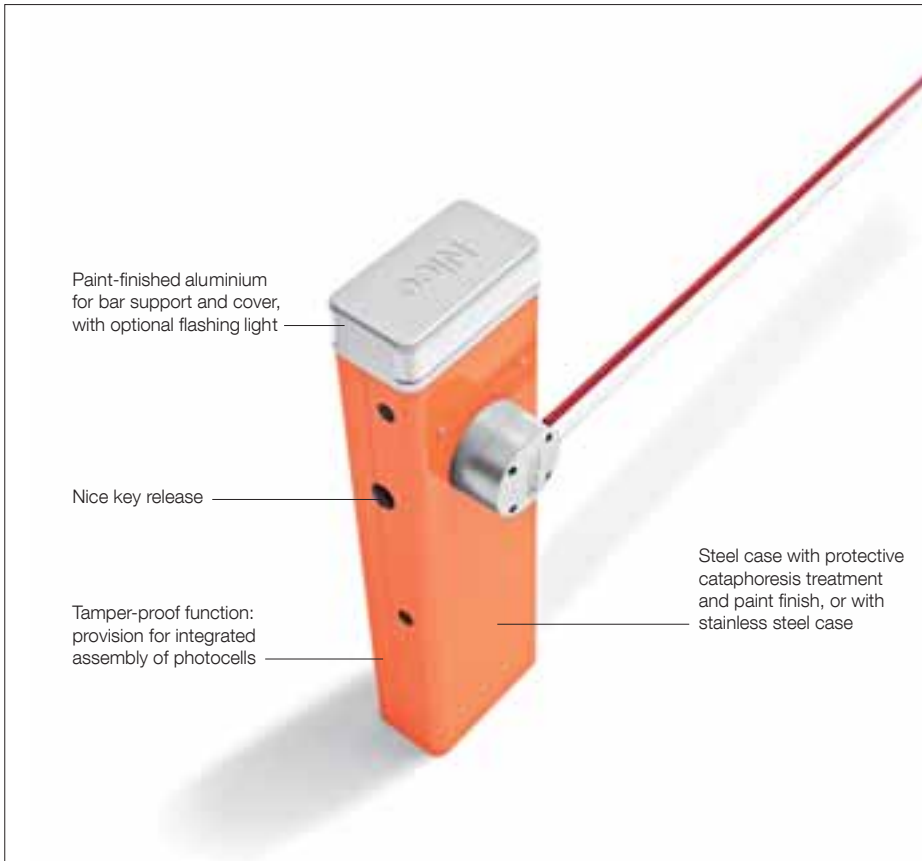
XBA18
Indicator lights for click fixture on upper or lower side of bar. Length 8 m.
Pc/pack 1
€ 140,00



WA12
Mobile stand for bars - *New fully reinforced version.*
Pc/pack 1
€ 155,00



WA13
Aluminium rack up to 2 m.
Pc/pack 1
€ 102,00



Electromechanical road barrier system for control of road access.

24 Vdc gear motor with built-in control unit and loop detector.

For bar up to 4 m.

Strength and reliability: robust structure in steel, new high strength balancing springs guaranteed up to 1,000,000 opening and closing operations and elliptical section bar with high wind-gust resistance.

Optional flashing or traffic light can be integrated in cover.

More comfort and safety in programming and maintenance phases: the separate enclosures for electronics and mechanics protect internal parts from potential risks.

Rapid and easy access to the control unit located in the upper section of the barrier body.

Simple fixture of the completely concealed photocells onto the specially designed seats on the barrier body.

More safety and reliability: obstacle detection and monitoring of motor absorption during automation movement.

Automatic fault diagnostics during operation with consequent signalling of fault type through specific flash sequences.

Provision for connection of latest generation optical and resistive sensitive edges (with 8.2 KOhm resistance).

Energy saving: the system sets to standby when not in use to save consumption.

No blackouts: emergency backup power with the optional batteries housed inside the case.

Release from side with Nice triangular key, can be installed on either side.

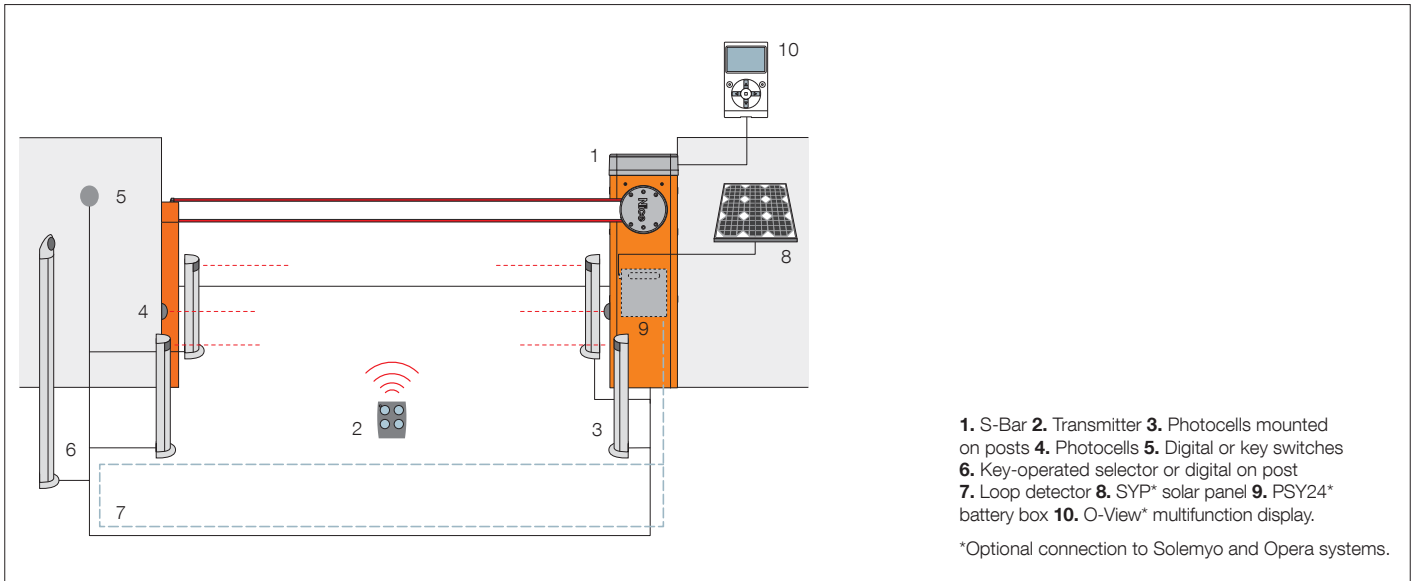
With bar up to 4 m, irreversible 230 Vac, 24 Vdc motor, with foundation plate:

Code	Description	Price €
SBAR	With steel case with protective cataphoresis treatment and paint finish	1.360,00
SBARI	With stainless steel case	2.049,00

Technical specifications

Code	SBAR	SBARI
Electrical data		
Power supply (Vac 50/60 Hz)	230	
Power supply (Vdc)	24	
Absorption (A)	1	
Power (W)	300	
Performance data		
Speed (s)	<4	
Torque (Nm)	100	
Work cycle (cycles/hour)	100	
Dimensional and general data		
Protection level (IP)	44	
Working temp. (°C Min/Max)	-20 ÷ +50	
Dimensions (mm)	330x180x1180 h	
Weight (kg)	46	

* The price refers to the sale pack. Nice recommends customers order products in pallets in order to facilitate storage and delivery, and ensure packs are uniform. The number of packs per single pallet has been specified for this reason. Approximate draft.



Accessories



XBA20
Spare control unit for SBAR.
Pc/pack 1
(see spare parts price-list)



PS124
24 V battery with integrated battery charger.
Pc/pack 1
€ 92,50



XBA19
White paint-finished aluminium bar 45x58x4000 mm.
Pc/pack 1
€ 109,00



XBA13
Rubber impact protection strip. Length 1 m.
Pc/pack 9
€ 69,00*



WA10
Red adhesive reflector strips.
Pc/pack 24
€ 30,90*



SIA1
Anchorage base with clamps.
Pc/pack 1
€ 59,50



XBA7
Integrable flashing light.
Pc/pack 1
€ 150,00



XBA4
Indicator lights for click fixture on upper or lower side of bar. Length 4 m.
Pc/pack 1
€ 75,00



WA11
Adjustable stand for bars.
Pc/pack 1
€ 96,50

Nice Selection guide

Follow the arrow and choose the right product

Irreversible, built-in control unit,
with BlueBUS technology
and incorporated flashing light.
Compatible for operation
with Solemyo and Opera.

X-Bar
pages 100/101

modular pole in three
1-metre sections with
protective rubber strips

X-BAR

Irreversible,
with built-in control unit
and magnetic encoder.
Signo
pages 102/105

bar length up to 3 m
minimum opening time: 1.8 s

galvanised steel, painted case

SIGNO3

satin stainless steel case

SIGNO3I

bar length up to 4 m
minimum opening time: 3 s

galvanised steel, painted case

SIGNO4

satin stainless steel case

SIGNO4I

bar length up to 6 m
(8.5 m with accessory),
minimum opening time: 6 s

galvanised steel, painted case

SIGNO6

satin stainless steel case

SIGNO6I

Irreversible,
with built-in control unit.
Wil
pages 106/109

bar length up to 4 m,
minimum opening time: 3.5 s

galvanised steel, painted case

WIL4

satin stainless steel case

WIL4I

bar length up to 6 m
(8 m with accessory),
minimum opening time: 5 s

galvanised steel, painted case

WIL6

satin stainless steel case

WIL6I

X-Bar

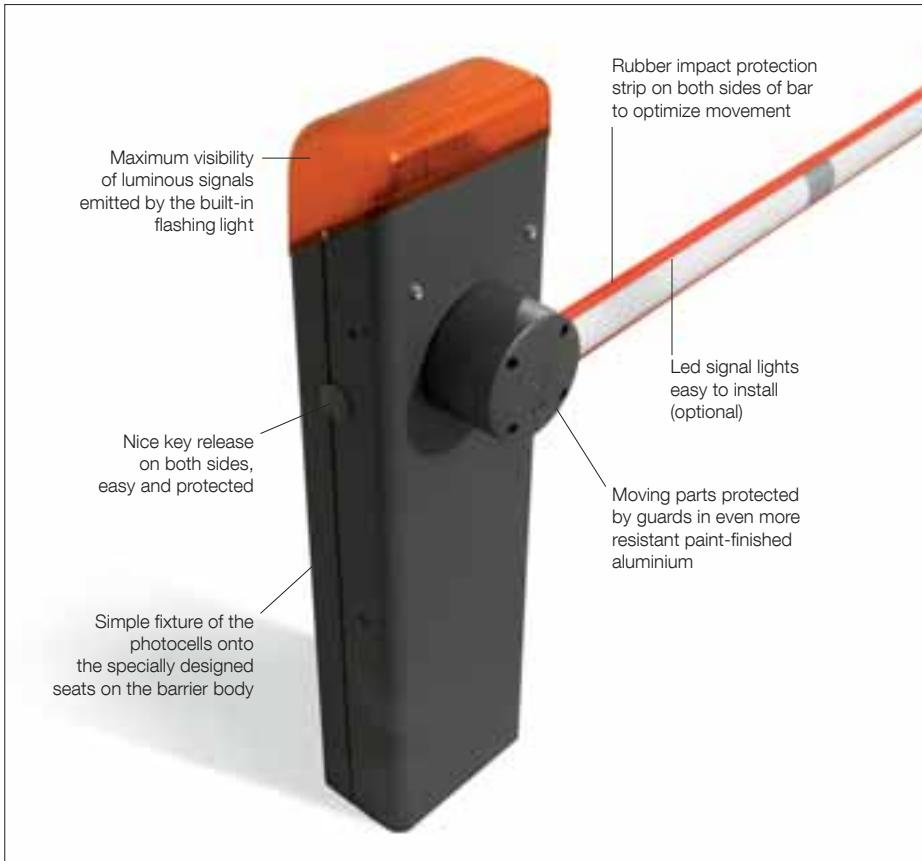


Signo



Wil





The electromechanical barrier gate in kit form for control of road access.

24 Vdc gear motor, control unit, with Nice BlueBUS technology and built-in flashing light.

Powerful and fast: electromechanical gear motor 24 Vdc, 100 W with power up to 100 Nm of torque.

Flexible and easy to transport: modular pole in three 1-metre sections to adapt length to the specific installation environments; including joints and cap. The compact dimensions of packaging facilitate the transport of X-Bar.

Built-in control unit, with flashing light to guarantee optimal visibility of the luminous signal.

More comfort and safety in programming and maintenance phases: the separate enclosures for electronics and mechanics protect internal parts from potential risks.

Rapid and easy access to the control unit located in the upper section of the barrier body.

Simple fixture of the photocells onto the specially designed seats on the barrier body.

More safety and reliability: obstacle detection and monitoring of motor absorption during automation movement. Automatic fault diagnostics during operation and consequent information on type via different combinations of flashes.

With provision for connection of the latest generation of optical and resistive sensitive edges (with 8.2 KOhm resistance).

Energy saving: when the system is not used it sets to standby, thereby reducing consumption.

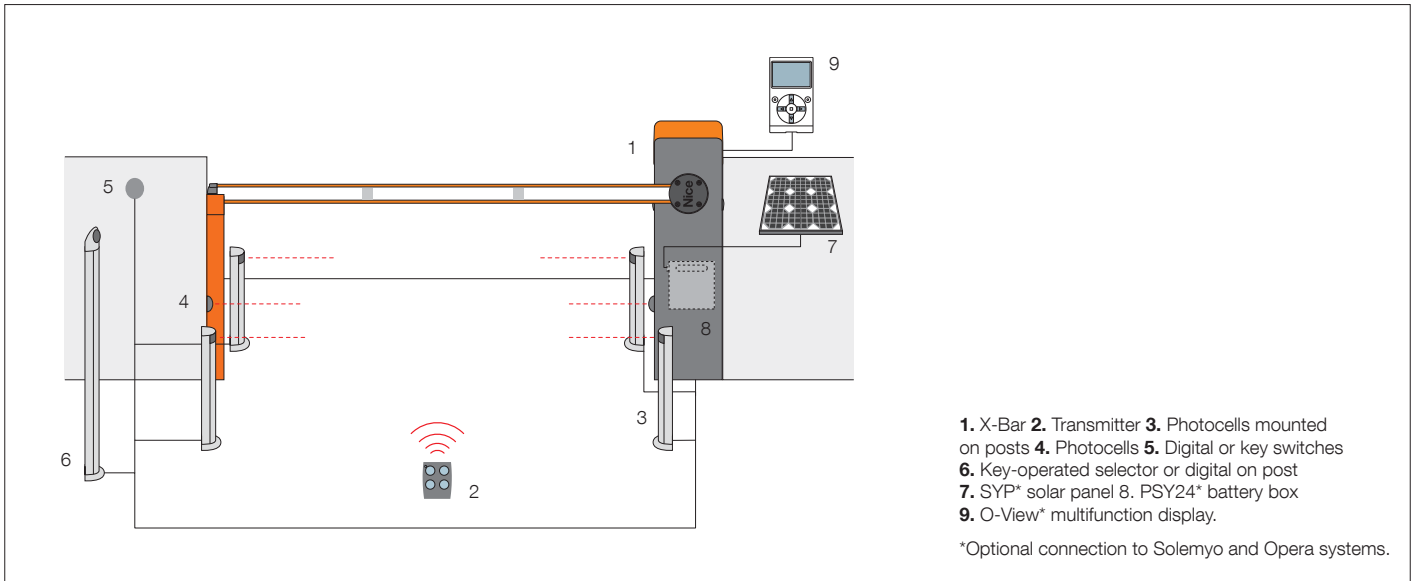
No black out: operation in the event of a power failure with optional batteries (PS124) housed inside the motor.

Code	Description	Price €
X-BAR	Irreversible 230 Vac, 24 Vdc motor. Modular pole in three 1-metre sections with rubber protection strips; enclosure in galvanized and paint-finished steel, fixing plate excluded	1.229,50

Technical specifications

Code	X-BAR
Electrical data	
Power supply (Vac 50/60 Hz)	230
Absorption (A)	0.7
Power (W)	100
Performance data	
Speed (s)	< 4
Torque (Nm)	100
Work cycle (cycles/hour)	100
Dimensional and general data	
Protection level (IP)	44
Working temp. (°C Min/Max)	-20 ÷ +50
Dimensions (mm)	300x179.5x1146 h
Weight (kg)	40

* The price refers to the sale pack. Nice recommends customers order products in pallets in order to facilitate storage and delivery, and ensure packs are uniform. The number of packs per single pallet has been specified for this reason. Approximate draft.



Accessories



XBA2
Spare control unit for X-BAR.
Pc/pack 1
(see spare parts price-list)



PS124
24 V battery with integrated battery charger.
Pc/pack 1
€ 92,50



SIA1
Anchorage base with clamps.
Pc/pack 1
€ 59,50



XBA4
Indicator lights for click fixture of X-BAR on upper or lower side of pole.
Pc/pack 1
€ 75,00



WA10
Red adhesive reflector strips.
Pc/pack 24
€ 30,90*



WA11
Adjustable stand for bars.
Pc/pack 1
€ 96,50

Solemyo system



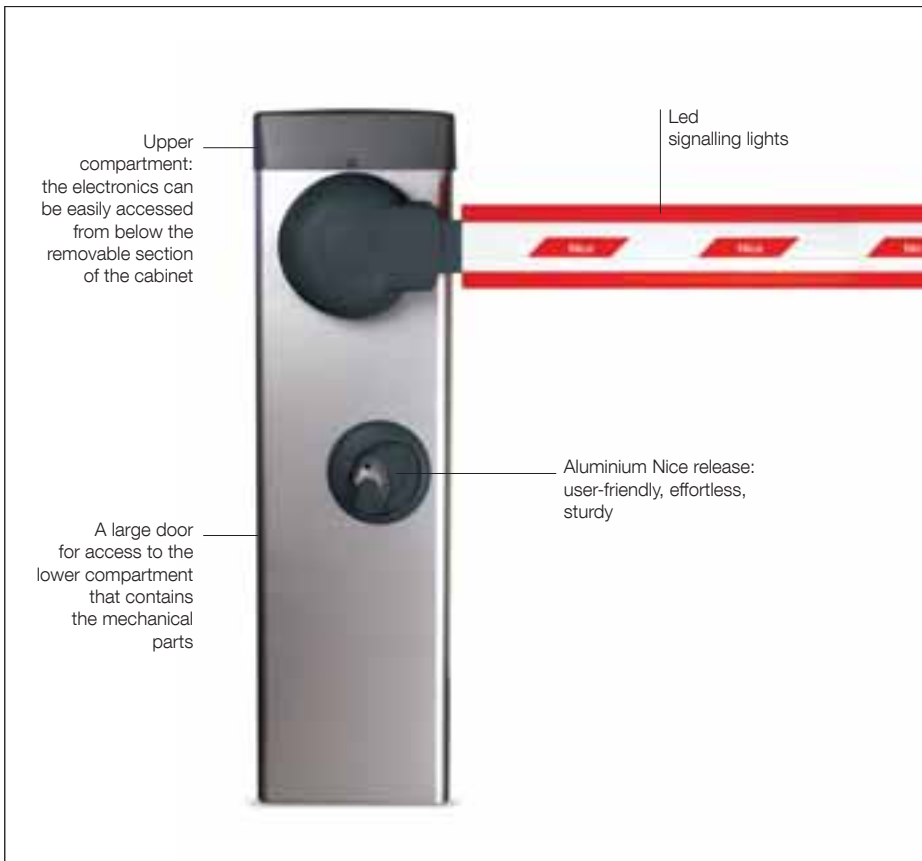
The solar power kit Solemyo to automate gates, garage doors or barrier gates, including those located far from the power mains and without the need for costly and invasive excavation work.
See pages 186/187

Opera system



The innovative Opera system enables the installer to manage, program and control automation systems, also remotely, simply and safely, with significant savings in time.
See pages 140/141





For private, public and industrial car parks.

Electromechanical barrier gate operator with encoder.

Powerful and quick: electromechanical 24 Vdc gear motor, 500 W power and up to 250 Nm torque. It opens up completely (90°) in just 1.8 seconds (Signo3), 3 seconds (Signo4), 6 seconds (Signo6). Models with a 230 Vac or 110 Vac power supply.

Even more sophisticated and well-developed control unit:

The same for all models, it automatically recognises and memorises the Signo model on which it is installed thereby eliminating the first installation procedure. Signals that the power supply is correct when started and that the control unit is functioning correctly. Automatic diagnostics during operation, with differentiated visual signals according to the type of fault.

Intelligent: the manoeuvre will invert automatically if the bar comes into contact with an obstacle.

The control unit automatically corrects any eventual lack of balance linked to variations in the climate or poor installation.

Safe: the innovative control unit utilises a revolutionary management system of the force, speed, acceleration and deceleration that can be **programmed at 6 levels**, at the beginning and at the end of the manoeuvre. Programming is intuitive and automatic with the Nice Encoder technology: simply push a button and Signo will comprehend the limit switch limits.

Large openings: a master/slave selection automatically synchronises two opposing barriers enabling the automation of transit points up to 8 and 12 m.

Convenient: separate compartments for electronics and mechanics provide the user with easy access without damages to internal parts.

Exclusive functions:

- the barrier will close immediately after the vehicle has passed through;
- it has two types of traffic-light type signals;
- there is an automatic safety test at the beginning of each manoeuvre;
- constant resistance STOP input for connecting the latest generation of sensitive edges;
- there is a manoeuvre counter and it is possible to programme the maintenance alarm threshold.

Intensive use for long periods of time:

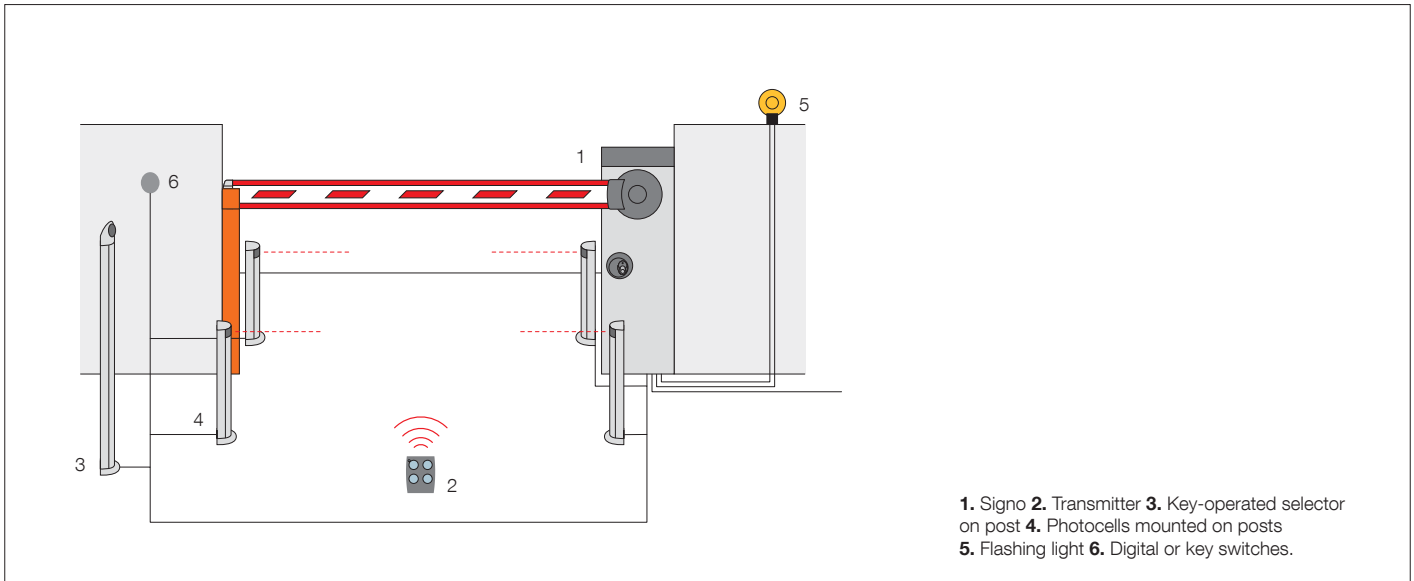
Ideal for automating private, public or industrial car-parks which are subjected to the frequent passage of vehicles during the day.

Irreversible 230 Vac, 24 Vdc motor, with anchorage base included:

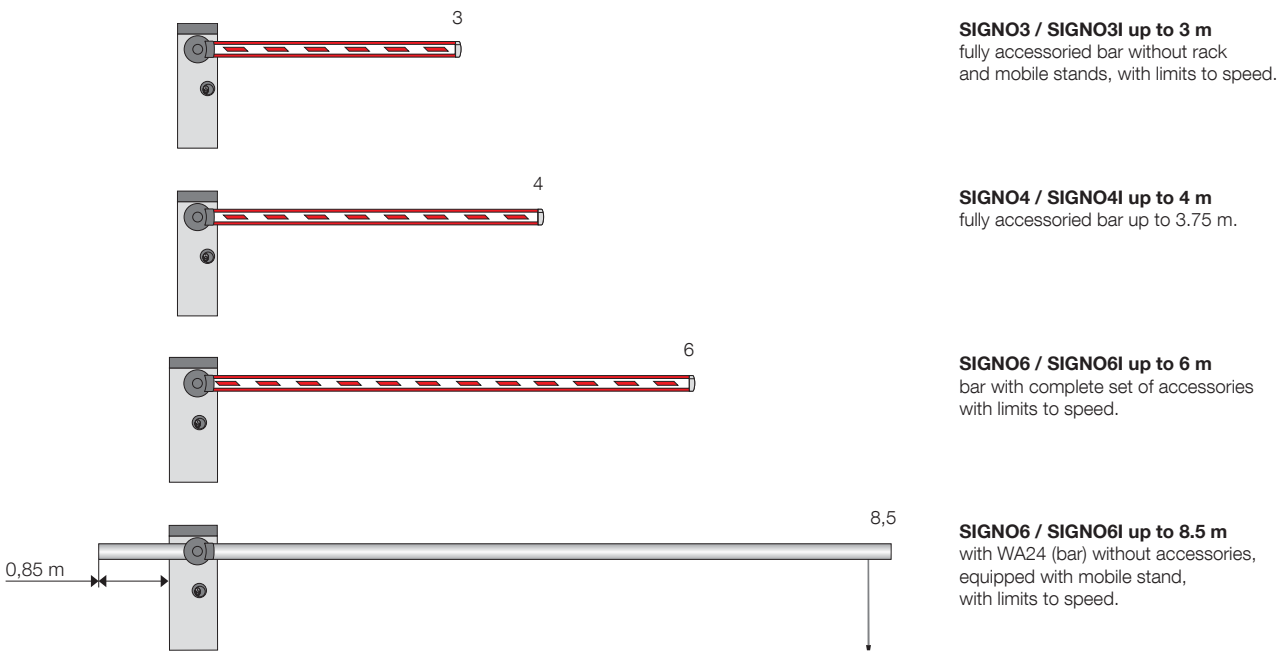
Code	Description	Price €
SIGNO3	For bars up to 3 m, with galvanised steel painted case	1.918,50
SIGNO3I	For bars up to 3 m, with satin stainless steel case	2.720,50
SIGNO4	For bars up to 4 m, with galvanised steel painted case	1.553,50
SIGNO4I	For bars up to 4 m, with satin stainless steel case	2.193,00
SIGNO6	For bars up to 6 m, with galvanised steel painted case	1.877,50
SIGNO6I	For bars up to 6 m, with satin stainless steel case	2.672,00

Technical specifications

Code	SIGNO3 - SIGNO3I	SIGNO4 - SIGNO4I	SIGNO6 - SIGNO6I
Electrical data			
Power supply (Vac 50/60 Hz)	230		
Absorption (A)	1.1	1.3	1.3
Power (W)	300	300	500
Performance data			
Min.÷max. opening time (s)	1.8÷4	3÷6	6÷10
Torque (Nm)	130	200	250
Work cycle (cycles/hour)	600	400	250
Dimensional and general data			
Protection level (IP)	44		
Working temp. (°C Min/Max)	-20 ÷ +50		
Dimensions (mm)	320x200x1070 h		420x220x1070 h
Weight (kg)	50	58	



Utilisation limits



Bar length (m)

Tubular aluminium bars don't need the use of accessories (only WA11).

Nice Accessories Signo

Accessories for SIGNO3 / SIGNO3I



SIA3
Aluminium bar, painted white 36x73x3250 mm.
Pc/pack 1
€ 75,00



WA25
Pivoting connection for rectangular bars up to 4 m.
Pc/pack 1
€ 128,50



WA2
8 m pack of red shockproof rubber strip with caps to close SIA3 bar.
Pc/pack 1
€ 59,50



SIA1
Anchorage base with clamps.
Pc/pack 1
€ 59,50

Accessories for SIGNO4 / SIGNO4I



WA1
Aluminium bar, painted white 36x73x4250 mm.
Pc/pack 1
€ 98,50



WA25
Pivoting connection for rectangular bars up to 4 m.
Pc/pack 1
€ 128,50



WA2
8 m pack of red shockproof rubber strip with caps to close WA1 bar.
Pc/pack 1
€ 59,50



WA13
Aluminium rack (2 m) for WA1, WA21, WA22 bars.
Pc/pack 1
€ 102,00



WA14
Joint for rods WA1 (from 1950 mm to 2400 mm).
Pc/pack 1
€ 195,00



WA3
Tubular aluminium bar, painted white Ø 70x4250 mm, suitable where there are strong winds. Only with WA11.
Pc/pack 1
€ 137,00



WA4
Connection for the WA3 bar.
Pc/pack 1
€ 49,70

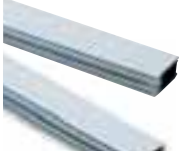


SIA1
Anchorage base with clamps.
Pc/pack 1
€ 59,50

Accessories for SIGNO6 / SIGNO6I



WA21
Aluminium bar, painted white 36x94x6250 mm.
Pc/pack 1
€ 232,00



WA22
Modular bar, plus joint painted white, 2 sections 36x94x3125 mm.
Pc/pack 2
€ 259,00*



WA6
Pack 12 m of red shockproof rubber strip with caps to close the bars WA21, WA22.
Pc/pack 1
€ 85,50



WA24
Tubular telescopic bar in white painted aluminium, max. length 8.5 m, complete with mobile support WA12, counterweight and connector. 6 meters overall length for transportation. See draft page 103.
Pc/pack 1
€ 1.000,50



WA7
Tubular aluminium bar, painted white Ø 90x6250 mm suitable where there are strong winds, only with WA11.
Pc/pack 1
€ 203,50

Accessories for SIGNO6 / SIGNO6I



WA8
Connection
for the WA7 bar.
Pc/pack 1
€ 54,00



WA13
Aluminium rack (2 m)
for WA1, WA21, WA22
bars.
Pc/pack 1
€ 102,00



SIA2
Anchorage base
with clamps.
Pc/pack 1
€ 72,00

Common accessories



SIA20
Spare control unit.
(see spare parts price-list)



PS224
24 Vdc buffer battery.
Pc/pack 1
€ 155,50



WA9
Pack of 6 flashing signals,
wired for WA1, WA21,
WA22 bars.
Pc/pack 6
€ 127,00*



WA10
Red adhesive
reflector strips.
Pc/pack 24
€ 30,90*



WA11
Adjustable stand
for bars.
Pc/pack 1
€ 96,50

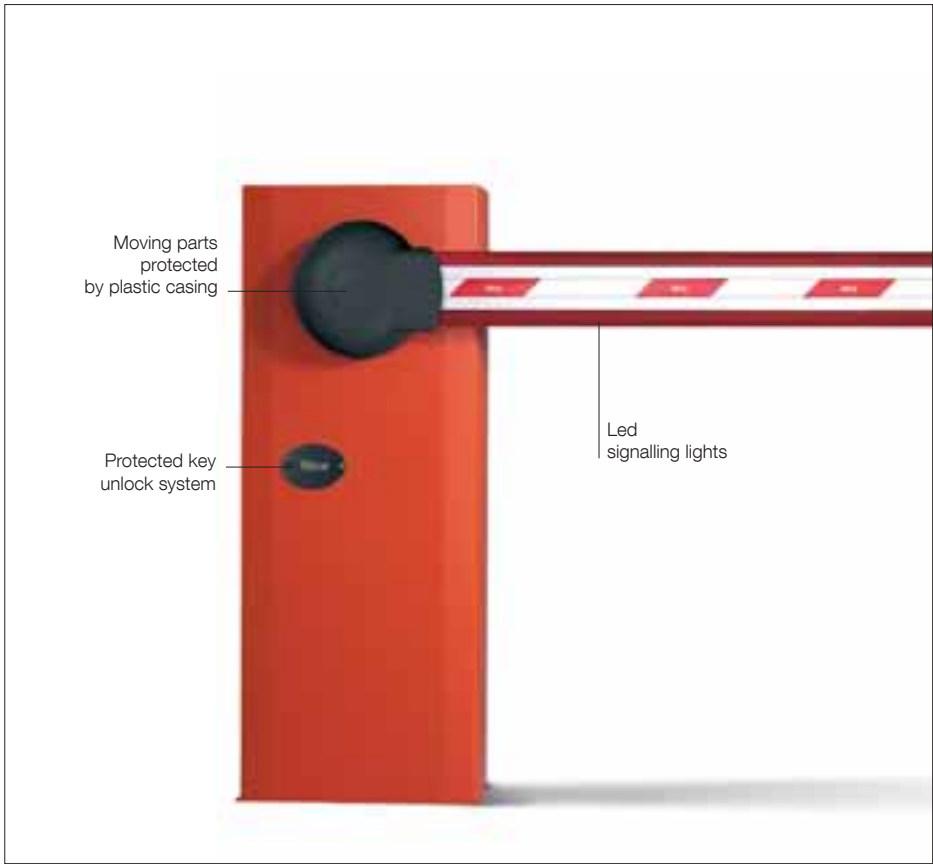


WA12
Mobile stand for bars
- *New fully reinforced
version.*
Pc/pack 1
€ 155,00



PO
Support bracket
for photocells Bf, FE.
Pc/pack 4
€ 5,30

* The price refers to the sale pack.



For private, public and industrial car parks.

Electromechanical barrier gate, 24 Vdc, with adjustable speed and anti-crushing safety feature. Intensive use.

Four versions:
up to 4 m (WIL4, WIL4I),
up to 6 m (WIL6, WIL6I).

Galvanised steel, painted case or AISI 304 (WIL4I, WIL6I).

Incorporated control unit, can be removed, making wiring and maintenance easier.

Easy to install: the bar can be assembled on either the right or left hand side indifferently.

Easy to balance: linear adjustment of the spring.

The system will operate during a blackout by means of internally fitted, rechargeable batteries.

The limit switches for slowdown during both opening and closing can be adjusted both mechanically and electronically.

Speed can be electronically adjusted: WIL4, 3.5 second minimum opening time; WIL6, 5 second opening time.

Anti-crush safety feature on opening and closing.

Painted aluminium bar profile: easy to assemble the signalling lights and pneumatic edge.

Led signalling lights: highly efficient and long-lasting.

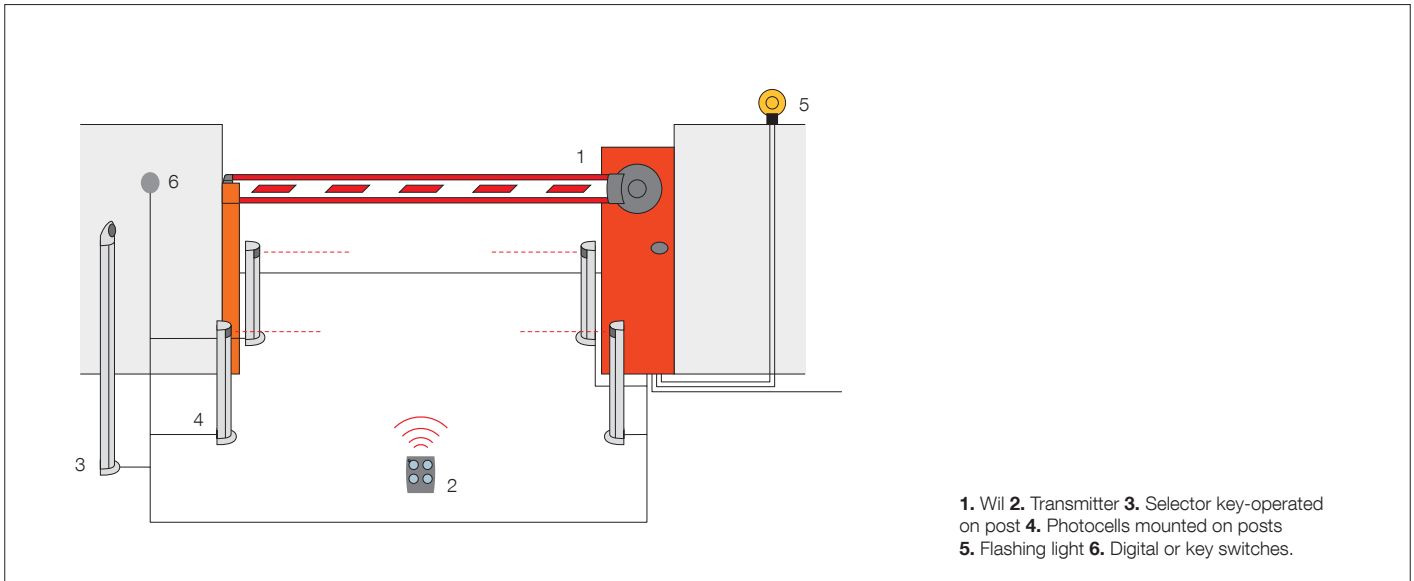
Protected simple key-operated release.

Irreversible 230 Vac, 24 Vdc motor, with anchorage base included:

Code	Description	Price €
WIL4	For bars up to 4 m, with galvanised steel painted case	1.398,00
WIL4I	For bars up to 4 m, with satin stainless steel case	1.983,00
WIL6	For bars up to 6 m, with galvanised steel painted case	1.702,00
WIL6I	For bars up to 6 m, with satin stainless steel case	2.342,50

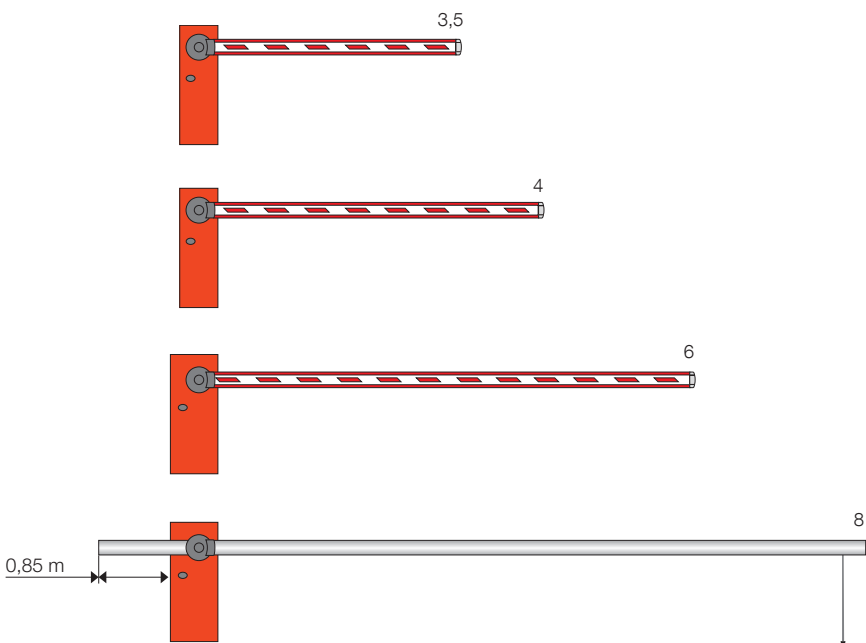
Technical specifications

Code	WIL4 - WIL4I	WIL6 - WIL6I
Electrical data		
Power supply (Vac 50/60 Hz)	230	
Absorption (A)	1.1	0.6
Power (W)	300	360
Performance data		
Minimum opening time (s)	3.5	5
Torque (Nm)	140	200
Work cycle (%)	80	
Dimensional and general data		
Protection level (IP)	54	
Working temp. (°C Min/Max)	-20 ÷ +50	
Dimensions (mm)	320x220x1000 h	420x220x1050 h
Weight (kg)	46	54



1. Wil 2. Transmitter 3. Selector key-operated on post 4. Photocells mounted on posts 5. Flashing light 6. Digital or key switches.

Utilisation limits



WIL4 / WIL4I up to 3.5 m
fully accessoried bar
without speed limit.

WIL4 / WIL4I up to 4 m
fully accessoried bar with speed limit
and a WA13 rack max lenght of 2 m
or
4 m rack lenght without shockproof
rubber strip WA2.

WIL6 / WIL6I up to 6 m
fully accessoried bar with speed limit
and a WA13 rack max lenght of 4 m
or
WA13 rack lenght 6 m,
without shockproof rubber strip WA2.

WIL6 / WIL6I up to 8 m
with WA24 (bar without accessories),
with no limits to speed.

Bar lenght (m)

Tubular aluminium bars don't need the use of accessories (only WA11).

Nice Accessories Wil

Accessories for WIL4 / WIL4I



WA1
Aluminium bar, painted white 36x73x4250 mm.
Pc/pack 1
€ 98,50



WA25
Pivoting connection for rettangular bars up to 4 m.
Pc/pack 1
€ 128,50



WA2
8 m pack of red shockproof rubber strip with caps to close WA1 bar.
Pc/pack 1
€ 59,50



WA14
Joint for rods WA1 (from 1950 mm to 2400 mm).
Pc/pack 1
€ 195,00



WA3
Tubular aluminium bar, painted white Ø 70x4250 mm, suitable where there are strong winds only with WA11.
Pc/pack 1
€ 137,00



WA4
Connection for the WA3 bar.
Pc/pack 1
€ 49,70

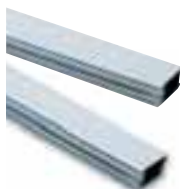


WA15
Anchorage base with clamps.
Pc/pack 1
€ 59,50

Accessories for WIL6 / WIL6I



WA21
Aluminium bar, painted white 36x94x6250 mm.
Pc/pack 1
€ 232,00



WA22
Modular bar, plus joint painted white, 2 sections 36x94x3125 mm.
Pc/pack 2
€ 259,00*



WA6
Pack 12 m of red, shockproof, rubber strip with caps to close the bars WA21, WA22.
Pc/pack 1
€ 85,50



WA24
Tubular telescopic bar in white painted aluminium, max. length 8 m, complete with mobile support WA12, counterweight and connector. 6 m overall length for transportation. See draft page 107.
Pc/pack 1
€ 1.000,50



WA7
Tubular aluminium bar, painted white Ø 90x6250 mm suitable where there are strong winds, only with WA11.
Pc/pack 1
€ 203,50



WA8
Connection for the WA7 bar.
Pc/pack 1
€ 54,00



WA16
Anchorage base with clamps.
Pc/pack 1
€ 71,50

Common accessories



WA20
Spare control unit.
(see spare parts price-list)



CARICA
Plug-in card
for battery charger.
Pc/pack 1
€ 43,10



B12-B
12 V, 6 Ah batteries.
Pc/pack 1
€ 54,50



WA9
Pack of flashing signals,
wired for WA1, WA21,
WA22 bars.
Pc/pack 6
€ 127,00*



WA10
Red adhesive
reflector strips.
Pc/pack 24
€ 30,90*



WA13
Aluminium rack (2 m)
for WA1, WA21, WA22
bars.
Pc/pack 1
€ 102,00



WA11
Adjustable stand
for bars.
Pc/pack 1
€ 96,50




WA12
Mobile stand for bars
- *New fully reinforced
version.*
Pc/pack 1
€ 155,00



PO
Support bracket
for photocells Bf, FE.
Pc/pack 4
€ 5,30

Systems for garage and industrial doors

- 4|11 The Nice World
- 12|65 Systems for swing gates
- 66|85 Systems for sliding gates
- 86|109 Barrier gate operator systems
- 110|137 Systems for garage and industrial doors**
- 138|179 Control systems
- 180|205 Accessories
- 206|225 Control units
- 226|229 Product code alphabetical index



**For sectional
and up-and-over doors**

116|119 Spinbus
120|121 SpinbusKit 20/21/22
122|123 SpinbusKit 23
124|125 SpinKit

**For up-and-over
and articulated doors**

126|127 Ten
128|129 TenKit

For sectional doors

130|131 Soon
132|133 Sumo

For folding 2-leaf doors

134|135 Hyppo 7100

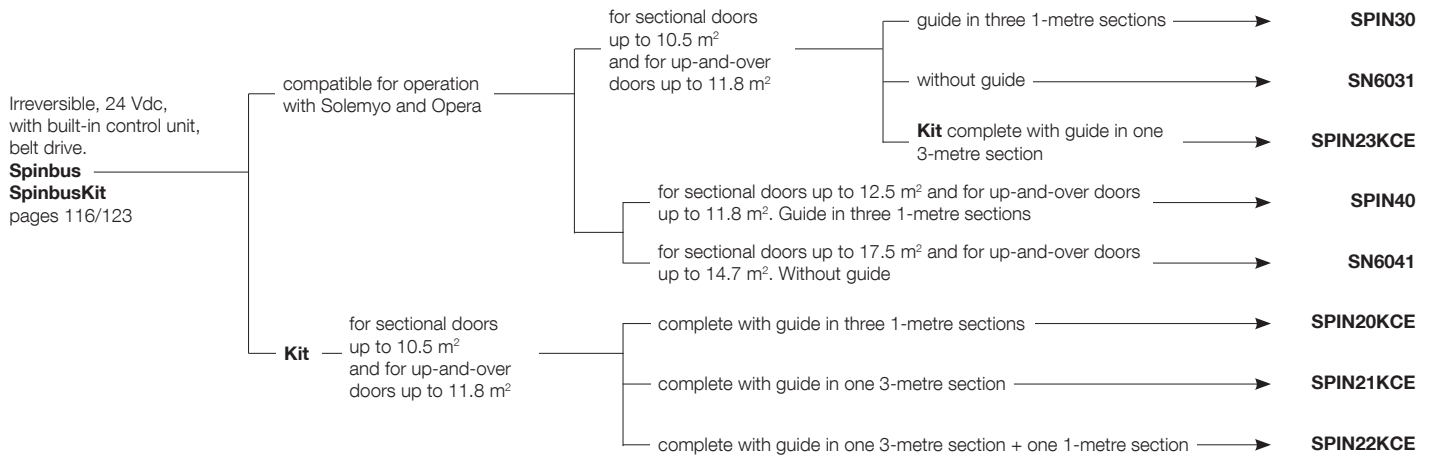
For balanced rolling doors

136|137 Rondo

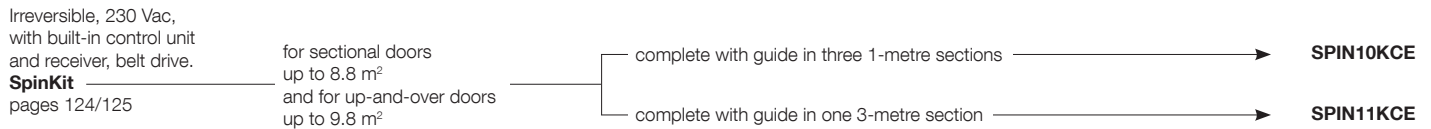
Nice Selection guide

Follow the arrow and choose the right product

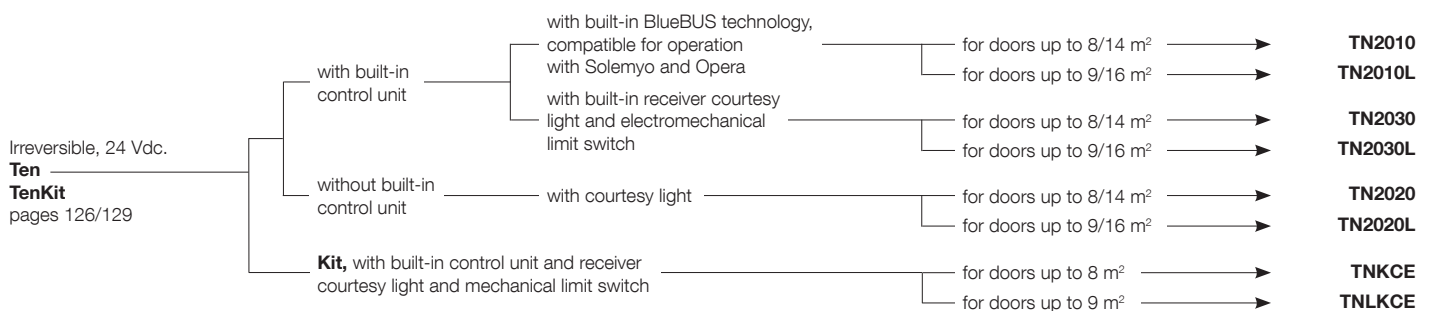
For sectional and up-and-over doors, built-in BlueBUS technology, also available in kit



For sectional and up-and-over doors, in kit



For up-and-over and articulated doors, also available in kit



Spinbus
SpinbusKit



SpinKit



Ten
TenKit



Nice Selection guide

Follow the arrow and choose the right product

For sectional doors, ideal for industrial and commercial use

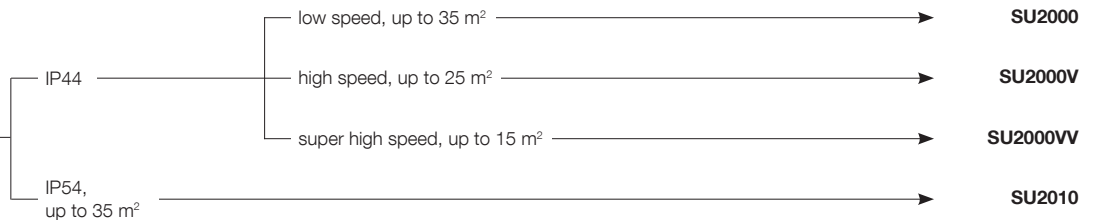
Irreversible with built-in control unit
24 Vdc motor, with absolute encoder
and incorporated BlueBUS technology.
Compatible for operation
with Solemyo and Opera.

Soon → for doors up to 20 m² → **SO2000**
pages 130/131

For sectional and sliding 2-leaf doors for industrial and commercial use

Irreversible, 24 Vdc motor,
with magnetic encoder,
with no need for limit switch
adjustment.

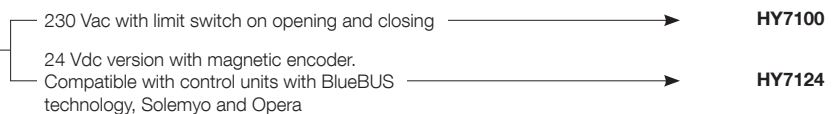
Sumo
pages 132/133



For folding 2-leaf doors

Irreversible
with telescopic arm.

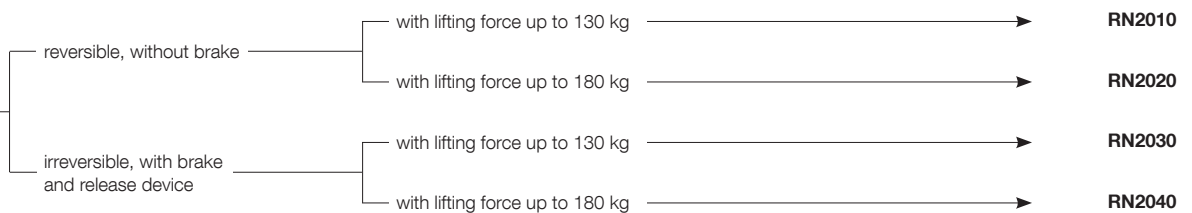
Hyppo
pages 134/135



For balanced rolling doors

230 Vac,
with electromechanical
limit switch.

Rondo
pages 136/137



Soon



Sumo



Hyppo



Rondo





For sectional doors up to 12.5 m² and up-and-over garage doors up to 11.8 m².

230 Vac irreversible electromechanical gear motor, for residential use, with belt drive, 24 Vdc motor, with magnetic encoder.

Complete version of the guide in 3x1 m sections.

Rapid installation - anywhere!

The adjustable head, cord-type release and cable-controlled, step-by-step release can be fitted in any part of the garage in order to actuate the system without a remote control device and without the need to install wall-mounted control units!

Guaranteed savings and respect for the environment:

with the connection to the mains in standby mode the control unit with radio connected consumes just 0.8 W (SPIN30) and 1.2 W (SPIN40); when connected to a battery or to the Solemyo kit, consumption in standby mode is reduced to 0.036 W.

User-friendly thanks to the BlueBUS system:

which enables connection by means of just two wires between the control unit and pair of photocells.

Safe: obstacle detection system and automatic programming of the working times; motor absorption is monitored during movement, self-diagnosis by means of a flashing light and courtesy light. Acceleration and deceleration can be adjusted at the beginning and end of each opening and closing manoeuvre. Can be connected with last generation sensitive edges 8.2 KOhm.

Luminous: 40 W lamp E27 that can be used as garage lightening.

Code	Description	Pack/pallet	Price €
SPIN30	Irreversible, 230 Vac, 24 Vdc motor, with incorporated control unit, 800 N. Complete with guide in three 1 m-sections	15	533,50
SPIN40	Irreversible, 230 Vac, 24 Vdc motor, with incorporated control unit, 1000 N. Complete with guide in three 1 m-sections	15	599,50

Technical specifications

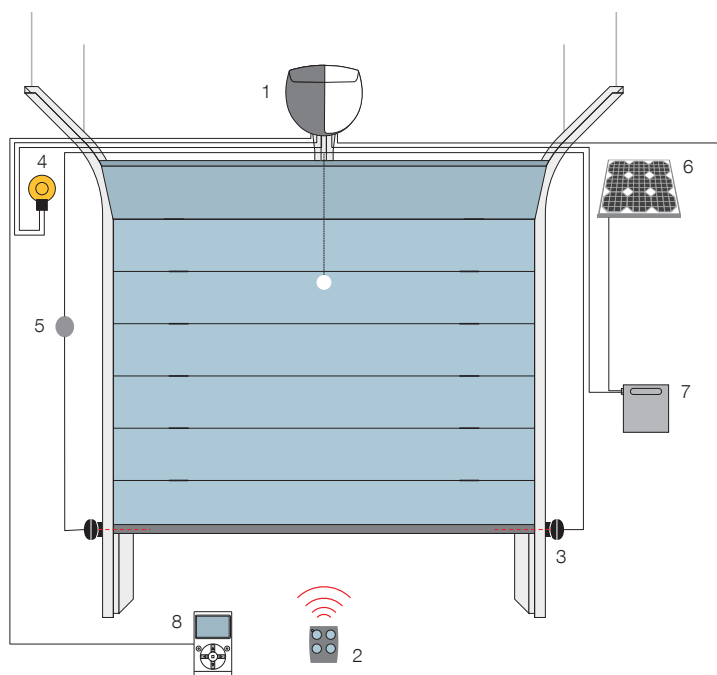
Code	SPIN30	SPIN40
Electrical data		
Power supply (Vac 50/60 Hz)	230	
Absorption (A)	1.3	1.4
Power (W)	350	370
Performance data		
Speed (m/s)	0.20	
Force (N)	800	1000
Work cycle (cycles/day)	50	
Dimensional and general data		
Protection level (IP)	40	
Working temp. (°C Min/Max)	-20 ÷ +50	
Dimensions (mm)	311x327x105 h	
Weight (kg)	3.6	4.7

Utilisation limits

Using the maximum travel

	Non-projecting up-and-over door		Projecting up-and-over door		Sectional	
	H	L	H	L	H	L
SPIN30	2.2 m	4.2 m	2.8 m	4.2 m	2.4 m	4.4 m
SPIN40	2.2 m	4.2 m	2.8 m	4.2 m	2.4 m	5.2 m

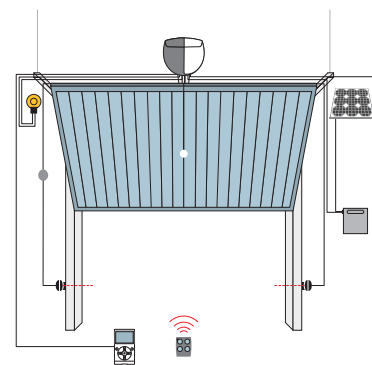
Sectional



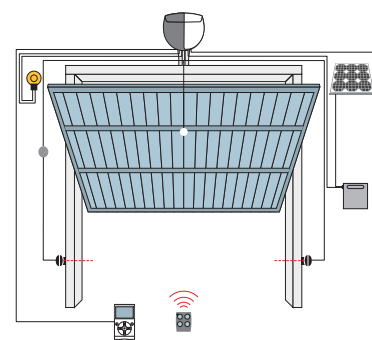
1. Spinbus 2. Transmitter 3. Photocells 4. Flashing light 5. Digital or key switches
6. SYP* solar panel 7. PSY24* battery box 8. O-View* multifunction display.

*Optional connection to Solemyo and Opera systems.

Non-projecting up-and-over door



Projecting up-and-over door



Accessories



SNA3
Spare control unit
for SPIN30/SN6031.
(see spare parts price-list)



SNA4
Spare control unit
for SPIN40/SN6041.
(see spare parts price-list)



PS124
24 V battery
with integrated
battery charger.
Pc/pack 1
€ 92,50



SPA2
Kit for unlocking from
the outside with cable.
Pc/pack 1
€ 24,00



SPA5
Oscillating arm sliding
on bearings with optimised
structure for projecting
up-and-over doors.
Pc/pack 1
€ 134,00



SPA6
Large 585 mm long
connecting arm.
Pc/pack 1
€ 12,70



SPA7
Kit of two additional
fixing brackets.
Pc/pack 2
€ 12,70*



SNA16
Quick-connect brackets
for ceiling mounting.
Pc/pack 10
€ 44,60*



TMF
Pair of photocells
for optical type
sensitive edge.
Pc/pack 1
€ 111,50



TS
Signboard.
Pc/pack 1
€ 3,00

Solemyo system



The solar power kit
Solemyo to automate
gates, garage doors
or barrier gates, including
those located far from
the power mains
and without the need
for costly and invasive
excavation work.
See pages 186/187

Opera system



The innovative Opera
system enables
the installer to manage,
program and control
automation systems,
also remotely, simply
and safely, with significant
savings in time.
See pages 140/141



For sectional doors up to 17.5 m² and up-and-over garage doors up to 14.7 m².

230 Vac irreversible electromechanical gear motor, for residential use, with belt drive, 24 Vdc motor, with magnetic encoder.

To use with the SNA30 - SNA31 guides.

Rapid installation - anywhere!

The adjustable head, cord-type release and cable-controlled, step-by-step release can be fitted in any part of the garage in order to actuate the system without a remote control device and without the need to install wall-mounted control units!

Guaranteed savings and respect for the environment:

when connected to the mains on standby the control unit with radio connected consumes just 0.8 W (SN6031) and 1.2 W (SN6041); when connected to a battery or to the Solemyo kit, consumption in standby mode is reduced to 0.036 W.

User-friendly thanks to the BlueBUS system:

which enables connection by means of just two wires between the control unit and pair of photocells.

Safe: obstacle detection system and automatic programming of the working times; motor absorption is monitored during movement, self-diagnosis by means of a flashing light and courtesy light. Acceleration and deceleration can be adjusted at the beginning and end of each opening and closing manoeuvre. Can be connected with last generation sensitive edges 8.2 KOhm.

Luminous: 40 W lamp E27 that can be used as garage lightening.

Code	Description	Pack/pallet	Price €
SN6031	Irreversible, 230 Vac, 24 Vdc motor, with incorporated control unit, 800 N	15	439,00
SN6041	Irreversible, 230 Vac, 24 Vdc motor, with incorporated control unit, 1000 N	15	465,50

Code	Description	Pack/pallet	Price €
SNA30	Preassembled 3 m guide	1	135,00
SNA31	1 m extension for guide SNA30	1	90,00

Technical specifications

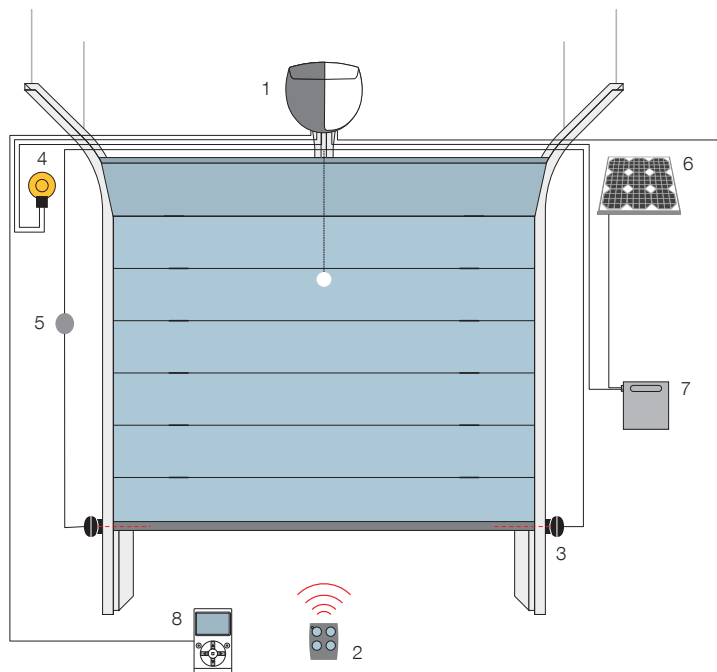
Code	SN6031	SN6041
Electrical data		
Power supply (Vac 50/60 Hz)	230	
Absorption (A)	1.3	1.4
Power (W)	350	370
Performance data		
Speed (m/s)	0.20	
Force (N)	800	1000
Work cycle (cycles/day)	50	
Dimensional and general data		
Protection level (IP)	40	
Working temp. (°C Min/Max)	-20 ÷ +50	
Dimensions (mm)	311x327x105 h	
Weight (kg)	3.6	4.7

Utilisation limits

Using the maximum travel

	Non-projecting up-and-over door		Projecting up-and-over door		Sectional	
	H	L	H	L	H	L
SN6031 with SNA30	2.2 m	4.2 m	2.8 m	4.2 m	2.4 m	5 m
SN6041 with SNA30	2.2 m	4.2 m	2.8 m	4.2 m	2.4 m	5.2 m
SN6031 with SNA30 + SNA31	3.2 m	2.9 m	3.5 m	3.4 m	3.4 m	3.5 m
SN6041 with SNA30 + SNA31	3.2 m	4.2 m	3.5 m	4.2 m	3.4 m	5.2 m

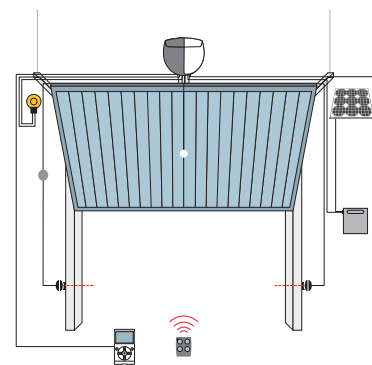
Sectional



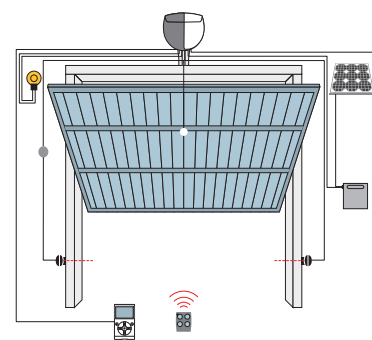
1. Spinbus 2. Transmitter 3. Photocells 4. Flashing light 5. Digital or key switches
6. SYP* solar panel 7. PSY24* battery box 8. O-View* multifunction display.

*Optional connection to Solemyo and Opera systems.

Non-projecting up-and-over door



Projecting up-and-over door



Accessories



SNA3
Spare control unit
for SPIN30/SN6031.
(see spare parts price-list)



SNA4
Spare control unit
for SPIN40/SN6041.
(see spare parts price-list)



PS124
24 V battery
with integrated
battery charger.
Pc/pack 1
€ 92,50



SPA2
Kit for unlocking from
the outside with cable.
Pc/pack 1
€ 24,00



SPA5
Oscillating arm sliding
on bearings with optimised
structure for projecting
up-and-over doors.
Pc/pack 1
€ 134,00



SPA6
Large 585 mm long
connecting arm.
Pc/pack 1
€ 12,70



SPA7
Kit of two additional
fixing brackets.
Pc/pack 2
€ 12,70*



SNA16
Quick-connect brackets
for ceiling mounting.
Pc/pack 10
€ 44,60*



TMF
Pair of photocells
for optical type
sensitive edge.
Pc/pack 1
€ 111,50



TS
Signboard.
Pc/pack 1
€ 3,00

Solemyo system



The solar power kit Solemyo to automate gates, garage doors or barrier gates, including those located far from the power mains and without the need for costly and invasive excavation work. See pages 186/187

Opera system



The innovative Opera system enables the installer to manage, program and control automation systems, also remotely, simply and safely, with significant savings in time. See pages 140/141

SN6021 1 gear motor with built-in control unit and SMXI plug-in receiver.		FLO2R-S 1 transmitter 433.92 MHz, 2 channels.	
			
SPIN20KCE Guide (thickness 35 mm) in three 1-metre sections.	SPIN21KCE Guide (thickness 35 mm) in one 3-metre section.	SPIN22KCE Guide (thickness 35 mm) in one 3-metre section. + one 1-metre section.	
 <p>3 x 1 m</p>	 <p>1 x 3 m</p>	 <p>1 x 3 m 1 x 1 m</p>	

For sectional doors up to 10.5 m² and up-and-over garage doors up to 11.8 m².

Three versions in kit:

- pre-mounted, **guide in three 1-metre sections** SPIN20KCE,
- **with pre-mounted guide of 3 m** SPIN21KCE **or pre-mounted**
- **guide of 4 m (3+1 m)** SPIN22KCE.

Rapid installation - anywhere!

The adjustable head, cord-type release and cable-controlled, step-by-step release can be fitted in any part of the garage in order to actuate the system without a remote control device and without the need to install wall-mounted control units!

User-friendly thanks to the BlueBUS system:

which enables connection by means of just two wires between the control unit and pair of photocells.

Safe: obstacle detection system and automatic programming of the working times; motor absorption is monitored during movement, self-diagnosis by means of a flashing light and courtesy light. Acceleration and deceleration can be adjusted at the beginning and end of each opening and closing manoeuvre. Can be connected with last generation sensitive edges 8.2 KOhm.

Luminous: 21 W lamp.

Code	Description	Pack/pallet	Price €
SPIN20KCE	Kit for automating sectional and up-and-over doors. Guide in three 1-metre sections	14	527,00
SPIN21KCE	Kit for automating sectional and up-and-over doors. Pre-mounted guide of 3 m	15	507,50
SPIN22KCE	Kit for automating sectional and up-and-over doors. Guide (thickness 35 mm) in one 3-metre section + one 1-metre section	15	601,50

N.B. The content of the package may vary: consult the retailer.

Technical specifications

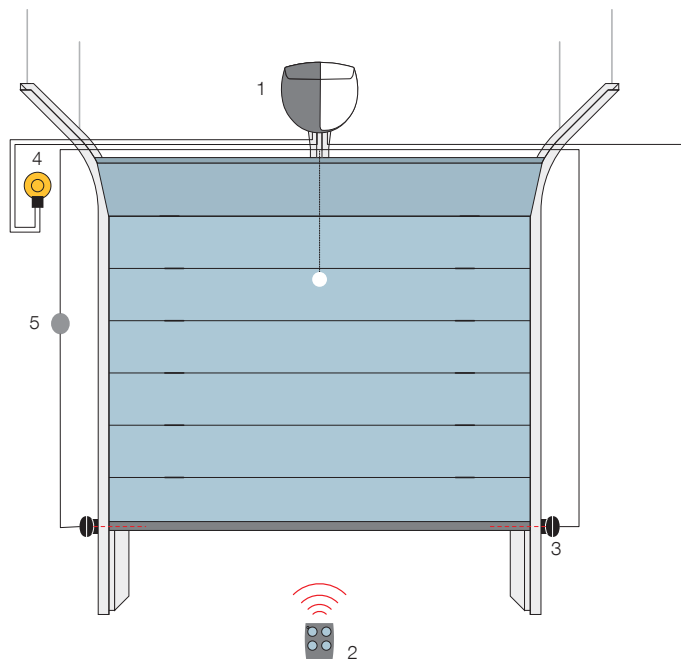
Code	SN6021
Electrical data	
Power supply (Vac 50/60 Hz)	230
Absorption (A)	0.8
Power (W)	250
Performance data	
Speed (m/s)	0.20
Force (N)	650
Work cycle (cycles/day)	50
Dimensional and general data	
Protection level (IP)	40
Working temp. (°C Min/Max)	-20 ÷ +50
Dimensions (mm)	311x327x105 h
Weight (kg)	3.6

Utilisation limits

Using the maximum travel

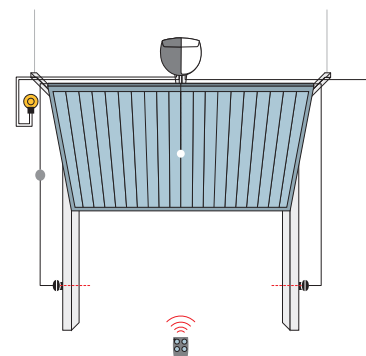
	Non-projecting up-and-over door		Projecting up-and-over door		Sectional	
	H	L	H	L	H	L
SPIN20KCE	2.2 m	4.2 m	2.8 m	4.2 m	2.4 m	4.4 m
SPIN21KCE	2.2 m	4.2 m	2.8 m	4.2 m	2.4 m	4.4 m
SPIN22KCE	3.2 m	2.9 m	3.5 m	3.4 m	3.4 m	3.1 m

Sectional

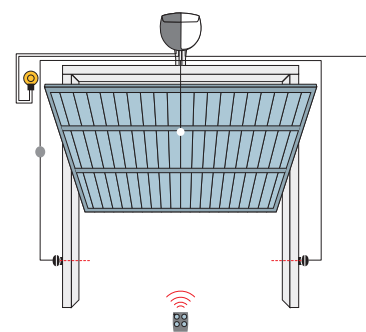


1. Spinbus 2. Transmitter 3. Photocells 4. Flashing light 5. Digital or key switches.

Non-projecting up-and-over door



Projecting up-and-over door



Accessories



SNA2
Spare control unit
for SPIN20KCE,
SPIN21KCE
and SPIN22KCE.
(see spare parts price-list)



SPA2
Kit for unlocking from
the outside with cable.
Pc/pack 1
€ 24,00



SPA5
Oscillating arm sliding
on bearings with optimised
structure for projecting
up-and-over doors.
Pc/pack 1
€ 134,00



SPA6
Large 585 mm long
connecting arm.
Pc/pack 1
€ 12,70



SPA7
Kit of two additional
fixing brackets.
Pc/pack 2
€ 12,70*



SNA16
Quick-connect brackets
for ceiling mounting.
Pc/pack 10
€ 44,60*



TS
Signboard.
Pc/pack 1
€ 3,00



SN6021
1 gear motor with built-in control unit and SMXI plug-in receiver.



FLO2R-S
1 transmitter 433.92 MHz, 2 channels.



For sectional doors up to 10.5 m² and up-and-over garage doors up to 11.8 m².

With pre-mounted 3-metre guide.

Rapid installation - anywhere!

The adjustable head, cord-type release and cable-controlled, step-by-step release can be fitted in any part of the garage in order to actuate the system without a remote control device and without the need to install wall-mounted control units!

Guaranteed savings and respect for the environment:

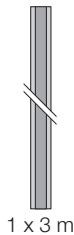
with connection to the mains in standby mode the control unit with radio connected consumes just 5.2 W; when connected to a battery or to the Solemyo kit, consumption on standby is reduced to 0.036 W.

Safe: obstacle detection system and automatic programming of the working times; motor absorption is monitored during movement, self-diagnosis by means of a flashing light and courtesy light. Acceleration and deceleration can be adjusted at the beginning and end of each opening and closing manoeuvre. Can be connected with last generation sensitive edges 8.2 KOhm.

Luminous: 21 W lamp.

No black out: operation in the event of a power failure with optional batteries (PS124) housed inside the motor.

SNA30
Guide (thickness 35 mm) in one 3-metre section.



1 x 3 m

Code	Description	Pack/pallet	Price €
SPIN23KCE	Kit for automating sectional and up-and-over doors. Pre-mounted guide in one 3-metre section	15	537,00

N.B. The content of the package may vary: consult the retailer.



Technical specifications

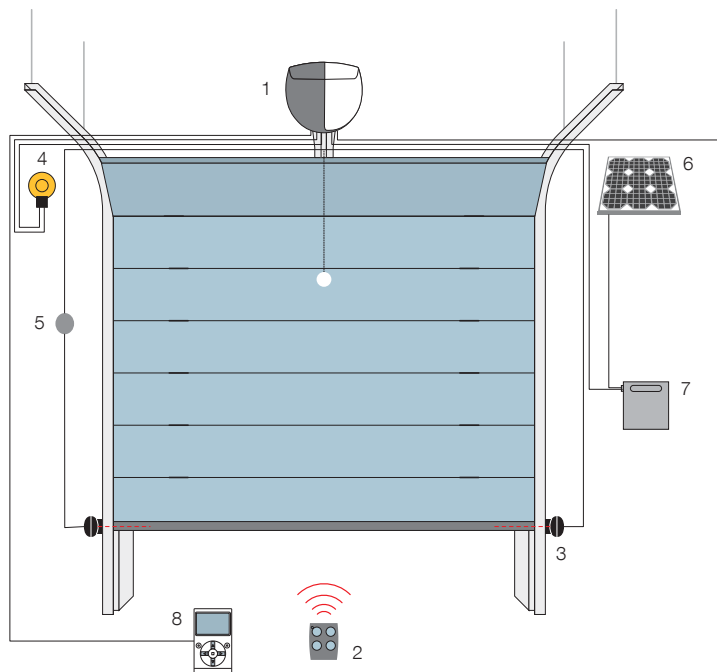
Code	SN6021
Electrical data	
Power supply (Vac 50/60 Hz)	230
Absorption (A)	0.8
Power (W)	250
Performance data	
Speed (m/s)	0.20
Force (N)	650
Work cycle (cycles/day)	50
Dimensional and general data	
Protection level (IP)	40
Working temp. (°C Min/Max)	-20 ÷ +50
Dimensions (mm)	311x327x105 h
Weight (kg)	3.6

Utilisation limits

Using the maximum travel

	Non-projecting up-and-over door		Projecting up-and-over door		Sectional	
	H	L	H	L	H	L
SPIN23KCE	2.2 m	4.2 m	2.8 m	4.2 m	2.4 m	4.4 m

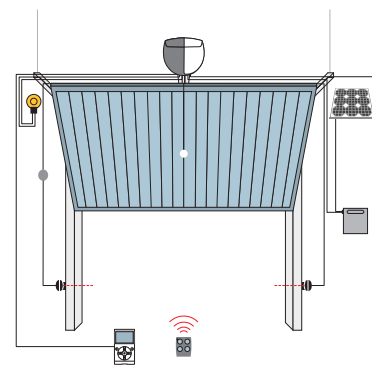
Sectional



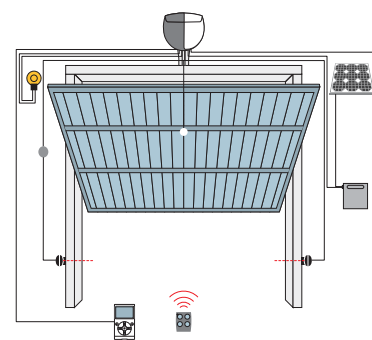
1. Spinbus 2. Transmitter 3. Photocells 4. Flashing light 5. Digital or key switches
6. SYP* solar panel 7. PSY24* battery box 8. O-View* multifunction display.

*Optional connection to Solemyo and Opera systems.

Non-projecting up-and-over door



Projecting up-and-over door



Accessories



SNA20
Spare control unit
for SPIN23KCE.
(see spare parts price-list)



PS124
24 V battery
with integrated
battery charger.
Pc/pack 1
€ 92,50



SPA2
Kit for unlocking from
the outside with cable.
Pc/pack 1
€ 24,00



SPA5
Oscillating arm sliding
on bearings with optimised
structure for projecting
up-and-over doors.
Pc/pack 1
€ 134,00



SPA6
Large 585 mm long
connecting arm.
Pc/pack 1
€ 12,70



SPA7
Kit of two additional
fixing brackets.
Pc/pack 2
€ 12,70*



SNA16
Quick-connect brackets
for ceiling mounting.
Pc/pack 10
€ 44,60*



TMF
Pair of photocells
for optical type
sensitive edge.
Pc/pack 1
€ 111,50



TS
Signboard.
Pc/pack 1
€ 3,00

Solemyo system



The solar power kit Solemyo to automate gates, garage doors or barrier gates, including those located far from the power mains and without the need for costly and invasive excavation work. See pages 186/187

Opera system



The innovative Opera system enables the installer to manage, program and control automation systems, also remotely, simply and safely, with significant savings in time. See pages 140/141

<p>SN6011 1 gear motor SN6011 with incorporated control unit and plug-in receiver.</p> 	<p>FLO2R-S 1 transmitter 433.92 MHz, 2 channels.</p> 
<p>SPIN10KCE Guide (thickness 35 mm) in three 1-metre sections.</p>  <p>3 x 1 m</p>	<p>SPIN11KCE Guide (thickness 35 mm) in one 3-metre section.</p>  <p>1 x 3 m</p>

For sectional doors up to 8.8 m² and up-and-over garage doors up to 9.8 m², belt drive.

- Two versions in kit:**
- pre-assembled, **3x1 m sections guide** (SPIN10KCE)
 - **pre-assembled 3 m guide** (SPIN11KCE).

Advanced: incorporated radio card, compatible with the Nice Flo, FloR and Smilo systems: 150 transmitters can be entered! Input for photocells and possibility of connecting photo-test with self-learning function during installation.

Safe: obstacle detection system and automatic programming of the working times; motor absorption is monitored during movement, self-diagnosis by means of a flashing light and courtesy light. Acceleration and deceleration can be adjusted at the beginning and end of each opening and closing manoeuvre. Can be connected with last generation sensitive edges 8.2 KOhm.

Code	Description	Price €
SPIN10KCE	Kit for automating sectional and up-and-over doors. 3x1 m-sections linear guide	515,00
SPIN11KCE	Kit for automating sectional and up-and-over doors. 3 m pre-assembled guide	494,50

N.B. The content of the package may vary: consult the retailer.

Technical specifications

Code	SN6011
Electrical data	
Power supply (Vac 50/60 Hz)	230
Absorption (A)	0.7
Power (W)	200
Performance data	
Speed (m/s)	0.14
Force (N)	550
Work cycle (cycles/day)	30
Dimensional and general data	
Protection level (IP)	40
Working temp. (°C Min/Max)	-20 ÷ +50
Dimensions (mm)	225x330x100 h
Weight (kg)	3.3

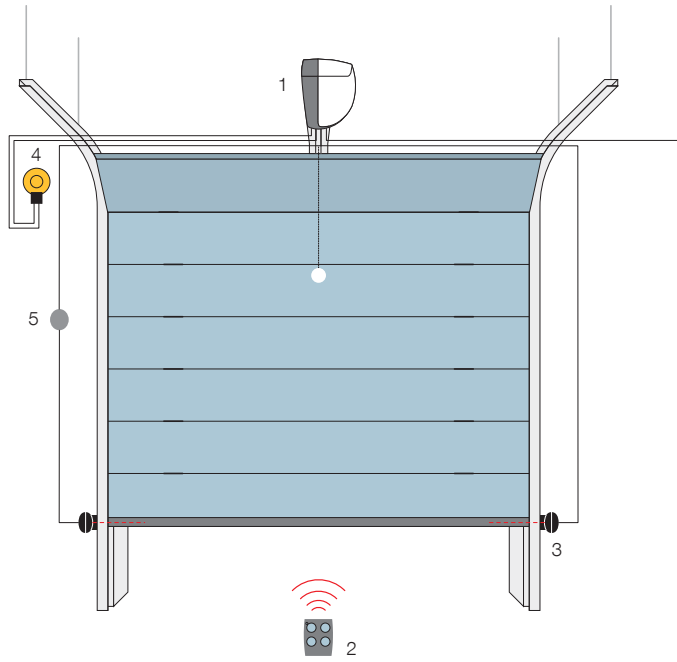
Utilisation limits

Using the maximum travel

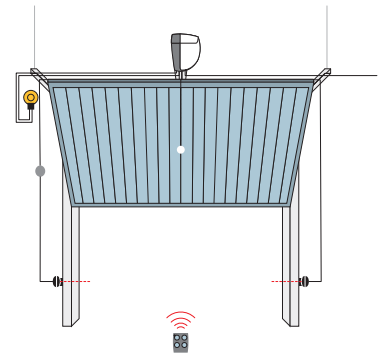
	Non-projecting up-and-over door		Projecting up-and-over door		Sectional	
	H	L	H	L	H	L
SPIN10KCE	2.2 m	3.5 m	2.8 m	3.5 m	2.4 m	3.7 m
SPIN11KCE	2.2 m	3.5 m	2.8 m	3.5 m	2.4 m	3.7 m

* The price refers to the sale pack. Nice recommends customers order products in pallets in order to facilitate storage and delivery, and ensure packs are uniform. The number of packs per single pallet has been specified for this reason. Approximate draft.

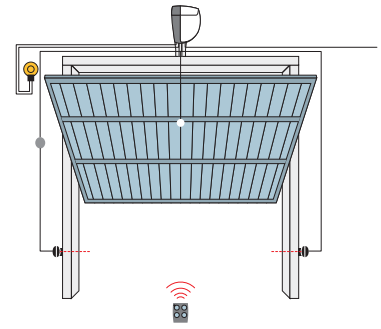
Sectional



Non-projecting up-and-over door



Projecting up-and-over door



1. Spin 2. Transmitter 3. Photocells 4. Flashing light 5. Digital or key switches.

Accessories



SNA1
Spare control unit
for SPIN10KCE
and SPIN11KCE.
(see spare parts price-list)



SPA2
Kit for unlocking from
the outside with cable.
Pc/pack 1
€ 24,00



SPA5
Oscillating arm sliding
on bearings with optimised
structure for projecting
up-and-over doors.
Pc/pack 1
€ 134,00



SPA6
Large 585 mm long
connecting arm.
Pc/pack 1
€ 12,70



SPA7
Kit of two additional
fixing brackets.
Pc/pack 2
€ 12,70*



SNA16
Quick-connect brackets
for ceiling mounting.
Pc/pack 10
€ 44,60*



TS
Signboard.
Pc/pack 1
€ 3,00





For projecting and non projecting up-and-over doors up to 9 m² (up to 16 m² using 2 motors), and jointed doors.

24 Vdc electromechanical gear motor.

Three versions, standard and upgraded:

- **with built-in control unit, force regulator and absolute encoder** (TN2010 and TN2010L);
- **with incorporated control unit and receiver, electromechanical limit switch** (TN2030 and TN2030L);
- **without control unit** (TN2020 and TN2020L).

Reliable and precise: memorisation of the opening and closing limit switch positions; gradual starting and slowdown during closing.

Safe: obstacle detection system and monitoring of the motor absorption during movement, self-diagnosis by means of a flashing light, courtesy light.

The latest generation optical and resistive 8.2 KOhm sensitive edges can also be connected.

Functional: possibility of connecting two motors, TN2010 or TN2030 with TN2020, for doors up to 14 m²; TN2010L or TN2030L with TN2020L, for doors up to 16 m².

Code	Description	Pack/pallet	Price €
TN2010	Irreversible, 24 Vdc, with incorporated control unit, courtesy light, absolute encoder with BlueBUS technology, compatible for Opera and Solemyo systems	15	730,00
TN2010L	Irreversible, 24 Vdc, with incorporated control unit, courtesy light, absolute encoder with BlueBUS technology, compatible for Opera and Solemyo systems. Upgraded version	15	730,00
TN2030	Irreversible, 24 Vdc, with incorporated control unit and receiver, courtesy light and electromechanical limit switch	15	616,00
TN2030L	Irreversible, 24 Vdc, with incorporated control unit and receiver, courtesy light and electromechanical limit switch. Upgraded version	15	616,00
TN2020	Irreversible, 24 Vdc, with courtesy light, without incorporated control unit	15	421,50
TN2020L	Irreversible, 24 Vdc, with courtesy light, without incorporated control unit. Upgraded version	15	421,50

TN2010 and TN2010L versions with BlueBUS technology and compatible for operation with Solemyo and Opera systems.

Advanced: the absolute encoder technology guarantees precision without the need of a limit switch, reliability and the long term safeguard of the set values.

Simple: thanks to the BlueBUS technology which enables connection by means of just two wires between the control unit and photocells.

Energy saving: the system enters in stand-by when not in use.

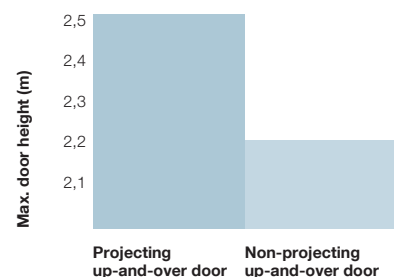
Practical: the control unit and PS324 buffer battery (optional) can be connected by means of a simple connector and can be housed directly inside the motor.

Technical specifications

Code	TN2010	TN2010L	TN2010 + TN2020	TN2010L + TN2020L	TN2030	TN2030L	TN2030 + TN2020	TN2030L + TN2020L
Electrical data								
Power supply (Vac 50/60 Hz)	230							
Absorption (A)	1		1.4		1		1.4	
Power (W)	240		350		220		330	
Performance data								
Speed (Rpm)	1.7	1.4	1.7	1.4	1.7	1.4	1.7	1.4
Torque (Nm)	350	600	500	750	320	420		700
Work cycle (cycles/hour)	15		25		20		10	
Dimensional and general data								
Protection level (IP)	44							
Working temp. (°C Min/Max)	-20 ÷ +50							
Dimensions (mm)	150x158x512 h							
Weight (kg)	10		17.2*		9.5		16.7*	

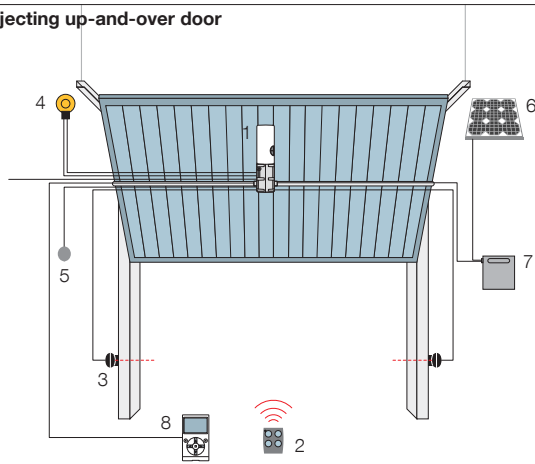
* 7.2 for TN2020/TN2020L

Utilisation limits

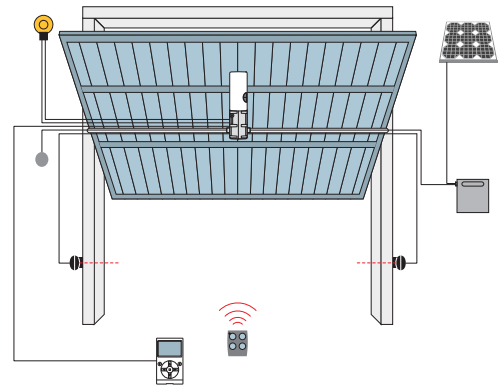


N.B. The values indicated above refer to the use of motors with standard accessories.

Non-projecting up-and-over door



Projecting up-and-over door



1. Ten 2. Transmitter 3. Photocells 4. Flashing light 5. Digital or key switches 6. SYP* solar panel 7. PSY24* battery box 8. O-View* multifunction display.
*Optional connection to Solemyo and Opera systems.

Accessories



TNA1
Spare control unit
for TN2030, TN2030L,
TNKCE and TNLKCE.
(see spare parts price-list)



TNA2
Spare control unit
for TN2010 and TN2010L.
(see spare parts price-list)



PS324
24 V battery with
integrated battery
charger.
Only for TN2010
and TN2010L.
Pc/pack 1
€ 111,50



TNA9
Additional connection
cable and supports
for wall-mounting
of PS324 battery.
Pc/pack 1
€ 9,30



TMF
Pair of photocells
for optical type
sensitive edge.
Only for TN2010
and TN2010L.
Pc/pack 1
€ 111,50



OTA2
Motor support bracket
(1250 mm long).
Pc/pack 1
€ 39,40



OTA3
Motor support bracket
(2000 mm long).
Pc/pack 1
€ 46,90



OTA9
Motor support bracket
(520 mm long).
Pc/pack 1
€ 16,60



TNA5
Pair of standard straight
telescopic arms.
Pc/pack 1
€ 67,50



TNA6
Pair of standard curved
telescopic arms.
Pc/pack 1
€ 79,00



TNA8
20x20 mm drive shaft
(200 mm long).
Pc/pack 1
€ 6,90



TNA4
20x20 mm drive shaft
(1500 mm long).
Pc/pack 1
€ 34,80

Solemyo system

Opera system



TNA38
Driving device
for transmission shafts.
Pc/pack 1
€ 28,60



OTA11
Kit for unlock
from the outside
with a metal cord.
Pc/pack 1
€ 23,50



OTA12
Kit for external
unlocking with key
ratchet (cannot be used
with laterally installed
motors).
Pc/pack 1
€ 49,70



TS
Signboard.
Pc/pack 1
€ 3,00



The solar power kit
Solemyo to automate
gates, garage doors
or barrier gates, including
those located far from
the power mains
and without the need
for costly and invasive
excavation work.
See pages 186/187



The innovative Opera
system enables
the installer to manage,
program and control
automation systems,
also remotely, simply
and safely, with significant
savings in time.
See pages 140/141

TNKCE / TNLKCE



FLO2R-S



TS



The kit contains:

TNKCE / TNLKCE 1 irreversible electromechanical gear motor, with incorporated control unit and plug-in receiver, courtesy light and electromechanical limit switch, complete with a pair of standard telescopic arms TNA5 and with relative driving devices TNA38. **FLO2R-S** 1 transmitter 433.92 MHz 2 channels. **TS** 1 signboard.

For projecting and non projecting up-and-over doors up to 9 m² and jointed doors.

Irreversible electromechanical 24 Vdc gear motor.

Two versions:

- standard with torque at 280 Nm (TNKCE)
- upgraded with torque at 420 Nm (TNLKCE).

Functions: standard input for photocells and possibility of connecting phototest function in self-learning mode during installation.

Convenient: built-in radio board compatible with the systems NiceWay, Flor, VeryVR, Flo, VeryVE and Smilo: possibility of entering up to 150 transmitters. Push-button programming and automatic position search.

Adjustments: 3 force levels, 2 speeds, 3 pause time levels, 3 step-by-step modes.

Maximum safety: provision for connection of latest generation 8.2 KOhm sensitive edges. Obstacle detection and automatic programming of work times, monitoring of motor absorption throughout travel, self-diagnostics via the flashing light and courtesy light. Acceleration and deceleration at the start and end of each manoeuvre.

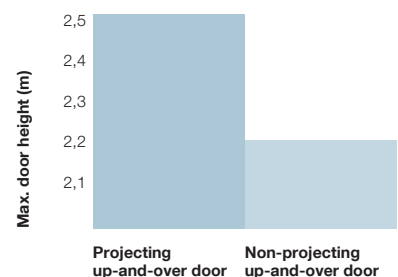
Code	Description	Pack/pallet	Price €
TNKCE	Irreversible, 24 Vdc, with incorporated control unit and receiver, courtesy light and mechanical limit switch	15	650,00
TNLKCE	Irreversible, 24 Vdc, with incorporated control unit and receiver, courtesy light and mechanical limit switch. Upgraded version	15	650,00

N.B. The content of the package may vary: consult the retailer.

Technical specifications

Code	TNKCE	TNLKCE
Electrical data		
Power supply (Vac 50/60 Hz)	230	
Absorption (A)	0.9	
Power (W)	200	
Performance data		
Speed (Rpm)	1.7	1.4
Torque (Nm)	280	420
Work cycle (cycles/hour)	15	
Dimensional and general data		
Protection level (IP)	44	
Working temp. (°C Min/Max)	-20 ÷ +50	
Dimensions (mm)	150x158x512 h	
Weight (kg)	15.5	

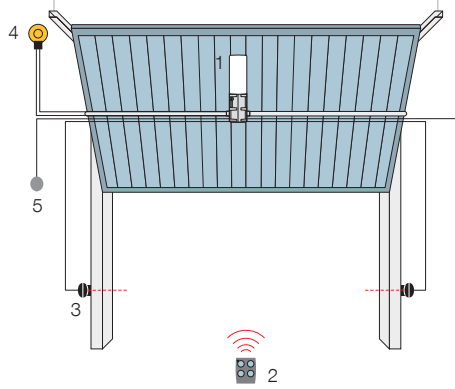
Utilisation limits



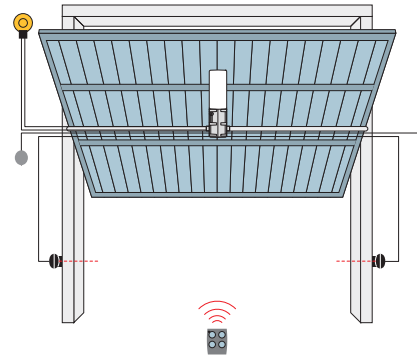
N.B. The values indicated above refer to the use of motors with standard accessories.

* The price refers to the sale pack. Nice recommends customers order products in pallets in order to facilitate storage and delivery, and ensure packs are uniform. The number of packs per single pallet has been specified for this reason. Approximate draft.

Non-projecting up-and-over door



Projecting up-and-over door



1. Ten 2. Transmitter 3. Photocells 4. Flashing light 5. Digital or key switches.

Accessories



TNA1
Spare control unit
for TNKCE and TNLKCE.
(see spare parts price-list)



OTA2
Motor support bracket
(1250 mm long).
Pc/pack 1
€ 39,40



OTA3
Motor support bracket
(2000 mm long).
Pc/pack 1
€ 46,90



OTA9
Motor support bracket
(520 mm long).
Pc/pack 1
€ 16,60



TNA5
Pair of standard straight
telescopic arms.
Pc/pack 1
€ 67,50



TNA6
Pair of standard curved
telescopic arms.
Pc/pack 1
€ 79,00



TNA8
20x20 mm drive shaft
(200 mm long).
Pc/pack 1
€ 6,90



TNA4
20x20 mm drive shaft
(1500 mm long).
Pc/pack 1
€ 34,80



TNA38
Driving device
for transmission shafts.
Pc/pack 1
€ 28,60



OTA11
Kit for unlock
from the outside
with a metal cord.
Pc/pack 1
€ 23,50



OTA12
Kit for external
unlocking with key
ratchet (cannot be used
with laterally installed
motors).
Pc/pack 1
€ 49,70



TS
Signboard.
Pc/pack 1
€ 3,00





Protective flap complete with courtesy light (21 W). Users can connect and programme the control unit, modify its functions and change the lamp without having to disassemble the casing

New release system with 4 m long cord

For sectional doors* up to 20 m².
24 Vdc electromechanical gear motor with absolute encoder.

*For sectional doors equipped with anti-crash safeguard system (safety device useful in case of spring breaking).

Easy to install: Soon can be fitted directly onto the shaft of a sectional door; compact, particularly in width, in order to make assembly easy in any position.

User-friendly thanks to the BlueBUS system that enables users to connect the photocell couples and control unit using just two wires.

Practical: the control unit and PS124 buffer battery (optional) can be connected by means of a simple connector and can be housed directly inside the motor.

Energy saving: when the system is not being used it will switch over to standby.

Reliable and precise: memorization of limit switch positions on opening and closing; gradual starting and slowdown during closing; the absolute encoder technology guarantees precision without the need of a limit switch, reliability and long term safeguard of the set values.

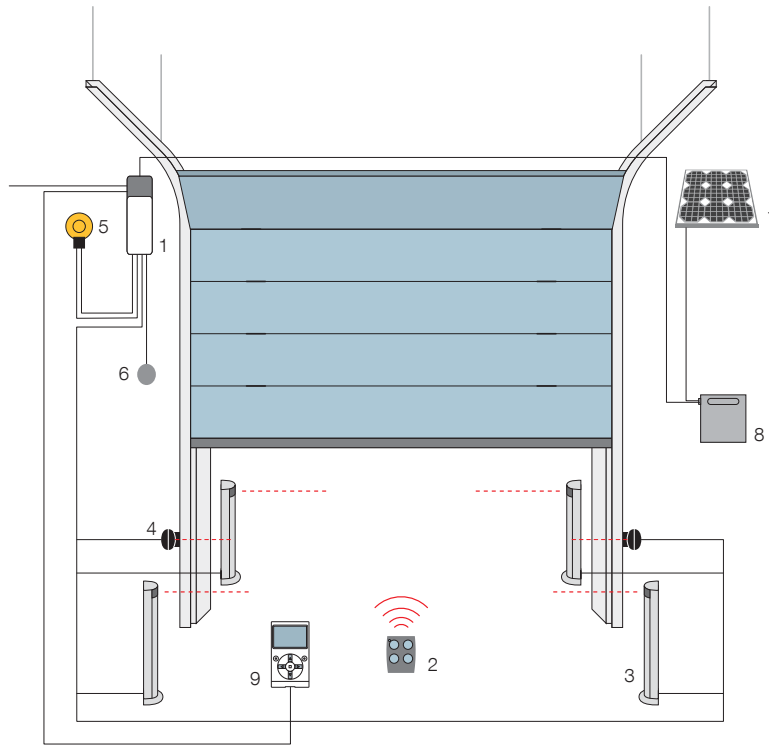
Safe: obstacle detection system; motor absorption is monitored during movement, self-diagnosis by means of a flashing light and courtesy light. Last generation of 8.2 KOhm optical and sensitive edges can also be connected.

Code	Description	Pack/pallet	Price €
SO2000	Irreversible, 24 Vdc, with absolute encoder for doors up to 5 m in height	20	796,50

Technical specifications

Code	SO2000
Electrical data	
Power supply (Vac 50/60 Hz)	230
Absorption (A)	1.6
Power (W)	350
Performance data	
Speed (Rpm)	30
Torque (Nm)	50
Work cycle (cycles/hour)	15
Dimensional and general data	
Protection level (IP)	40
Working temp. (°C Min/Max)	-20 ÷ +50
Dimensions (mm)	115x300x375 h
Weight (kg)	10.5

Sectional



1. Motor 2. Transmitter 3. Photocells mounted on posts 4. Photocells 5. Flashing light 6. Digital or key switches
7. SYP* solar panel 8. PSY24* battery box 9. O-View* multifunction display.

*Optional connection to Solemyo and Opera systems.

Accessories



SOA2
Spare control unit
for SO2000.
(see spare parts price-list)



PS124
24 V battery
with integrated
battery charger.
Pc/pack 1
€ 92,50



TMF
Pair of photocells
for optical type
sensitive edge.
Pc/pack 1
€ 111,50



CRA9
Adapter for diameter
31.75 (1.1/4''), 35
and 40 mm shafts.
Pc/pack 1
€ 76,50



TS
Signboard.
Pc/pack 1
€ 3,00

Solemyo system



The solar power kit Solemyo to automate gates, garage doors or barrier gates, including those located far from the power mains and without the need for costly and invasive excavation work. See pages 186/187

Opera system



The innovative Opera system enables the installer to manage, program and control automation systems, also remotely, simply and safely, with significant savings in time. See pages 140/141



For sectional doors and two-wings sliding doors up to 35 m².

24 Vdc electromechanical gear motor with magnetic encoder, no need to adjust limit switches. Perfect for intensive use.

Revolutionary aesthetics: compact, particularly in width, in order to make assembly easy in any position; quick to install.

Easy to install: Sumo can be fitted directly onto the shaft of sectional doors. Perfect for Ø 25.4 mm shafts and can be used also with Ø 31.75-35-40 mm shafts thanks to the CRA9 adapter.

Many different functions with the separate Mindy A924 control unit:

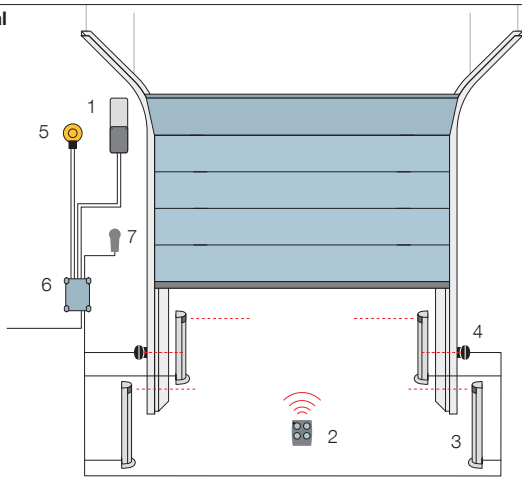
- automatic memorization of limit switches on opening and closing;
- gradual departure and slowdown during closing;
- integrated battery charge card with optional battery power supply in the event of power failures easy programming by pressing a single button;
- pause time programming and speed adjustment;
- "service" warning light for maintenance (can be programmed according to the number of manoeuvre required).

Code	Description	Pack/pallet	Price €
SU2000	Irreversible 24 Vdc, with magnetic encoder, no need to adjust limit switches, from 15 m ² up to 35 m ²	20	682,50
SU2000V	Irreversible 24 Vdc, with magnetic encoder, no need to adjust limit switches, high speed, from 10 m ² up to 25 m ²	20	698,00
SU2000VV	Irreversible 24 Vdc, with magnetic encoder, no need to adjust limit switches, super high speed, from 10 m ² up to 15 m ²	20	698,00
SU2010	Irreversible 24 Vdc, with magnetic encoder, no need to adjust limit switches, IP54, from 15 m ² up to 35 m ²	20	862,50

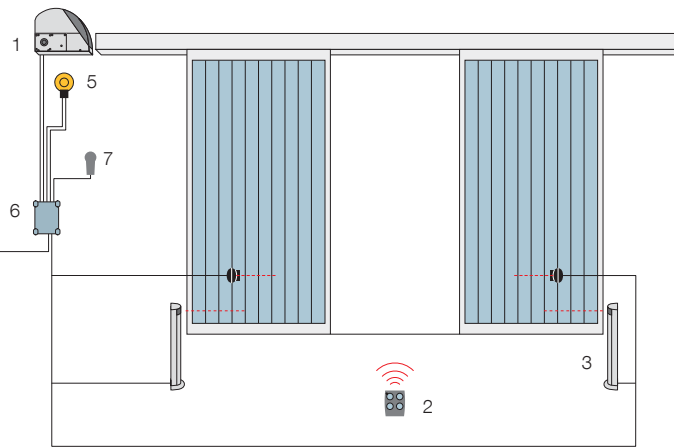
Technical specifications

Code	SU2000	SU2000V	SU2000VV	SU2010
Electrical data				
Power supply (Vdc)	24			
Absorption (A)	13			
Power (W)	500			
Performance data				
Speed (Rpm)	16	23.5	42	16
Torque (Nm)	120	82	46	120
Work cycle (%)	50			
Dimensional and general data				
Protection level (IP)	44			54
Working temp. (°C Min/Max)	-20 ÷ +50			
Dimensions (mm)	110x270x350 h			
Weight (kg)	10.5			

Sectional



Two-wings sliding doors



1. Sumo 2. Transmitter 3. Photocells mounted on posts 4. Photocells 5. Flashing light 6. Control unit 7. Digital or key switches.

Accessories



A924
Control unit.
Pc/pack 1
€ 343,00



PUL
Central cover with buttons, complete with connecting cable and connected for A500 and A924.
Pc/pack 1
€ 91,00



B12-B
12 V, 6 Ah batteries.
Pc/pack 1
€ 54,50



BA3-A
Nice battery box.
(see spare parts price-list)



KIO
Key-operated selector switch for low voltage contacts with release mechanism for metal cord.
Pc/pack 1
€ 69,50



KA1
6 m cable release kit for KIO. Not requested for SU2010.
Pc/pack 1
€ 20,60



CRA1
Shaft with 18-tooth pinion Ø shaft 25.4 mm Ø inside crown 25.4 mm.
Pc/pack 1
€ 51,50



CRA2
Joint for chain.
Pc/pack 1
€ 1,90



CRA3
1/2" chain, 1 m pack, plus joint for chain.
Pc/pack 1
€ 16,70



CRA4
1/2" chain, 5 m pack, ideal for single or double wing industrial doors, plus joint for chain.
Pc/pack 1
€ 85,50



CRA5
Tensioner drive with brackets, for single or double wing industrial door.
Pc/pack 1
€ 122,50



CRA6
36-tooth pinion Ø inside 25.4 mm.
Pc/pack 1
€ 53,50



CRA7
18-tooth pinion Ø inside 25.4 mm.
Pc/pack 1
€ 29,80



CRA8
Wall-fixing bracket.
Pc/pack 2
€ 44,60*



CRA9
Adapter for diameter 31.75 (1.1/4"), 35 and 40 mm shafts.
Pc/pack 1
€ 76,50



TS
Signboard.
Pc/pack 1
€ 3,00



For 2-leaf folding doors.

Electromechanical gear motor irreversible with telescopic arm, also in 24 Vdc version, with magnetic encoder.

Single model for right and left leaves.

Pre-wired, **incorporated double limit-switch** both during opening and closing: fewer connections mean quicker installation (for HY7100 only).

Solid metal mechanics.

Sturdy, galvanised, telescopic arm.

Recommended control units:

Mindy A3, A3F, A6, A6F, A60, A700F; for HY7124 Moonclever MC824H.

24 Vdc version with magnetic encoder.

Perfect for intensive use, compatible with the control unit Moonclever MC824H:

- simple programming, by means of a single key;
- self-learning of opening and closing limit positions;
- automatic fault diagnostics;
- programming of pause time;
- pedestrian pass door;
- deceleration on opening and closing;
- obstacle detection with dual technology;
- operation in event of power failure by means of optional rechargeable batteries (PS324);
- provision for connection of latest generation resistive sensitive edges.

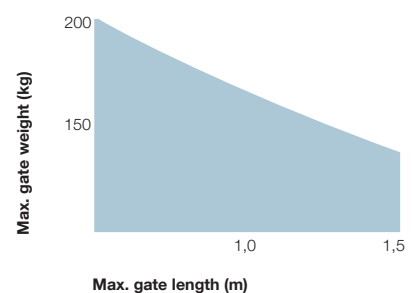
Code	Description	Pack/pallet	Price €
HY7100	Irreversible, 230 Vac, with sturdy telescopic arm, galvanised and painted, with limit switch on opening and closing	16	535,00
HY7124	Irreversible, 24 Vdc with magnetic encoder, with telescopic arm, galvanised and painted	16	606,00

Technical specifications

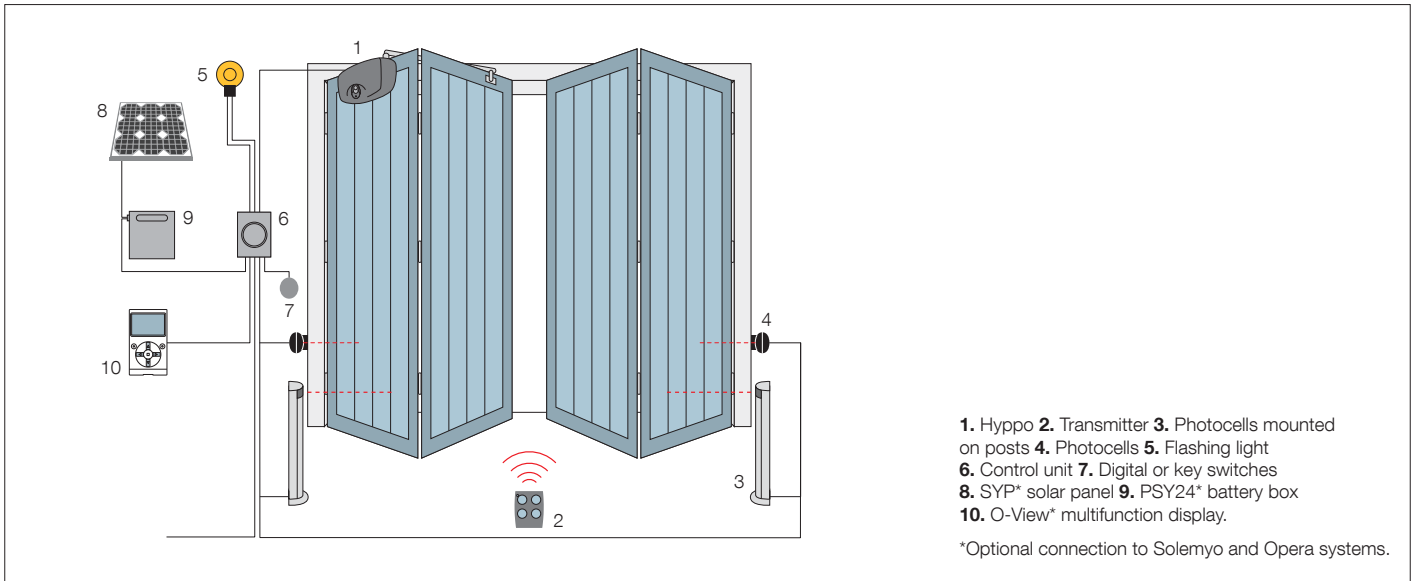
Code	HY7100	HY7124
Electrical data		
Power supply (Vac 50 Hz)*	230	-
Power supply (Vdc)	-	24
Absorption (A)	1.2	5
Power (W)	250	120
Performance data		
Speed (Rpm)	1.7	2
Torque (Nm)	400	250
Work cycle (%)	30	80
Dimensional and general data		
Protection level (IP)	20	
Working temp. (°C Min/Max)	-20 ÷ +50	
Dimensions (mm)	350x165x242 h	
Weight (kg)	13	

*60 Hz version available on request.

Utilisation limits



N.B. The above values are valid if the motor is used with standard accessories.



Accessories



HYA11
Unlock from inside with a 6 m cord.
Pc/pack 1
€ 35,50



KIO
Key-operated selector switch for low voltage contacts, with release mechanism for metal cord.
Pc/pack 1
€ 69,50



KA1
6 m cable release kit for KIO.
Pc/pack 1
€ 20,60



TS
Signboard.
Pc/pack 1
€ 3,00

Accessory

For 24 Vdc version



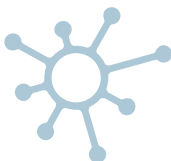
PS324
24 V battery with integrated battery charger.
Pc/pack 1
€ 111,50

Solemyo system

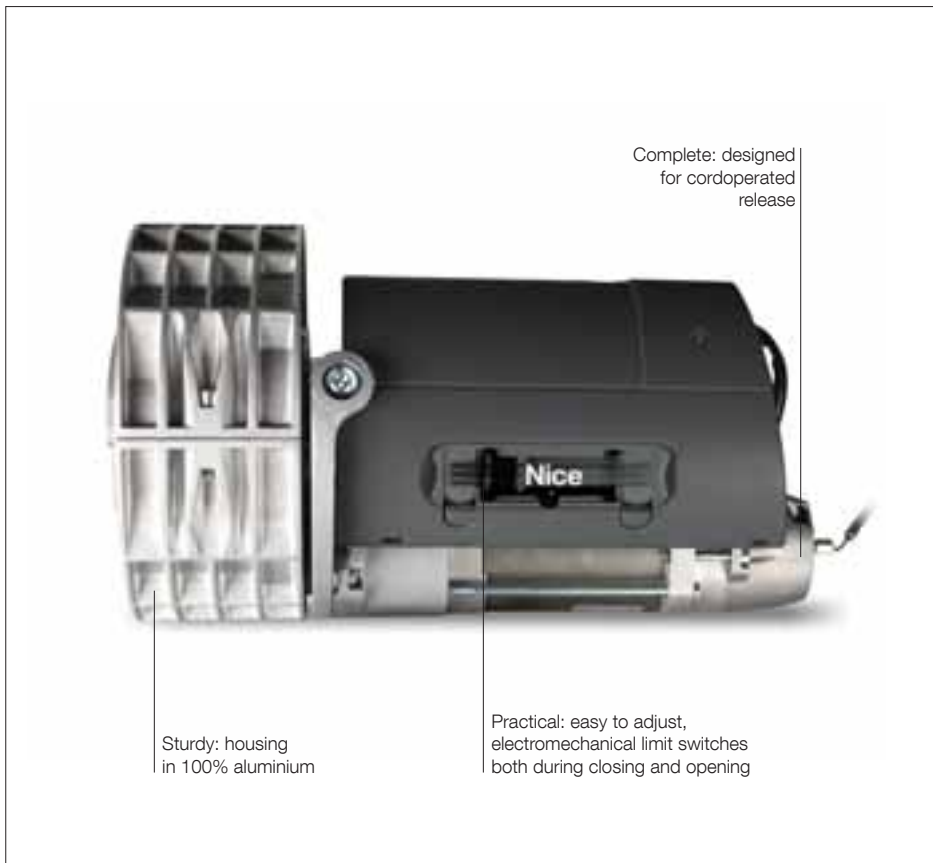


The solar power kit Solemyo to automate gates, garage doors or barrier gates, including those located far from the power mains and without the need for costly and invasive excavation work.
See pages 186/187

Opera system



The innovative Opera system enables the installer to manage, program and control automation systems, also remotely, simply and safely, with significant savings in time.
See pages 140/141



For balanced rolling doors.

Electromechanical gear motor with lifting force up to 130 kg and 180 kg.

Smart: the limit switch unit and wiring are protected by an elegant box; pre-wired capacitor.

Fast: easy and intuitive adjustment of the limit switches both during opening and closing.

Complete: supplied with 200 mm and 220 mm flange for 60 mm shafts, with 48 mm and 42 mm adaptors.

Easy to install: thanks to the guided connector, you don't need to hold the motor while you secure it using just 3 screws.

Recommended control units:

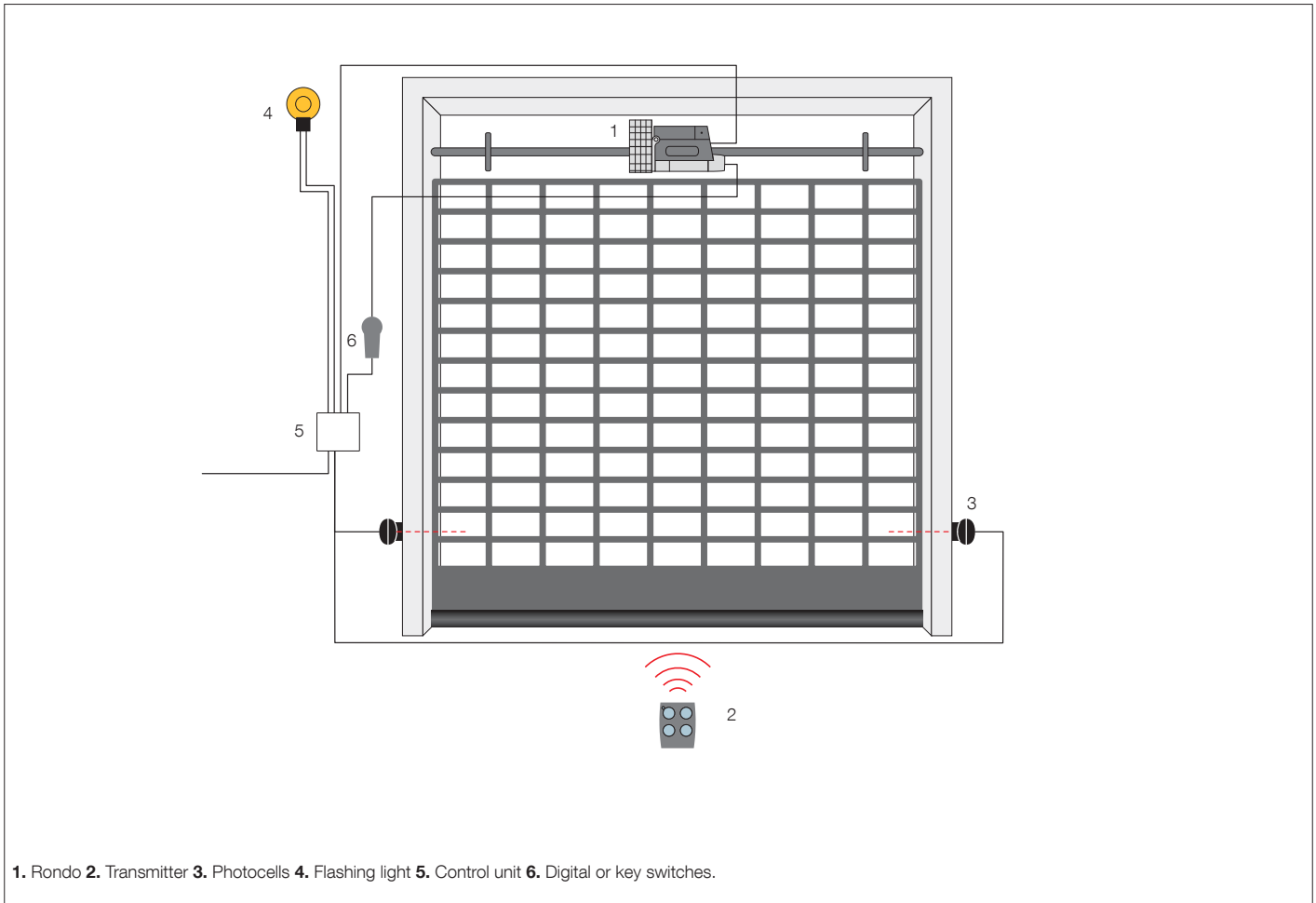
- Mindy A01 and A02, - easy to use, complete and reliable, featuring:
- semi-automatic or automatic operation;
 - complete reverse run with photocell;
 - step-by-step operation;
 - programmable Step-by-step/Open input;
 - programmable Stop/Photo input;
 - input for resistive edge;
 - incorporated radio card, compatible with the Nice Flo, FloR and Smilo systems.

Code	Description	Pack/pallet	Price €
RN2010	Reversible, without brake, with lifting force up to 130 kg	21	233,50
RN2020	Reversible, without brake, with lifting force up to 180 kg	21	248,50
RN2030	Irreversible, with brake and release device, with lifting force up to 130 kg	21	272,00
RN2040	Irreversible, with brake and release device, with lifting force up to 180 kg	21	285,50

Technical specifications

Code	RN2010	RN2030	RN2020	RN2040
Electrical data				
Power supply (Vac 50 Hz)*	230			
Absorption (A)	2		2.6	
Power (W)	450		600	
Performance data				
Speed (Rpm)	10			
Torque (Nm)	130		180	
Work cycle max (%)	50% with 30 s ON and 30 s OFF			
Dimensional and general data				
Protection level (IP)	20			
Working temp. (°C Min/Max)	-20 ÷ +50			
Dimensions (mm)	Ø 210x338	Ø 210x355	Ø 210x338	Ø 210x385
Weight (kg)	9.5		10	

*60 Hz version available on request.



Accessories



A01
Control unit.
Pc/pack 1
€ 93,00



A02
Control unit
with automatic closing.
Pc/pack 1
€ 102,00



KIO
Key-operated selector
switch for low voltage
contacts, with release
mechanism for metal
cord.
Pc/pack 1
€ 69,50




RNA01
Electronic brake
for RN2020 and RN2010.
Pc/pack 1
€ 48,00



TS
Signboard.
Pc/pack 1
€ 3,00

Control systems

- 4|11 The Nice World
- 12|65 Systems for swing gates
- 66|85 Systems for sliding gates
- 86|109 Barrier gate operator systems
- 110|137 Systems for garage and industrial doors
- 138|179 Control systems**
- 180|205 Accessories
- 206|225 Control units
- 226|229 Product code alphabetical index



**The Nice electronics
at a glance**

140|143

Opera system

150|157 O-View O-Box,
One, OX4T

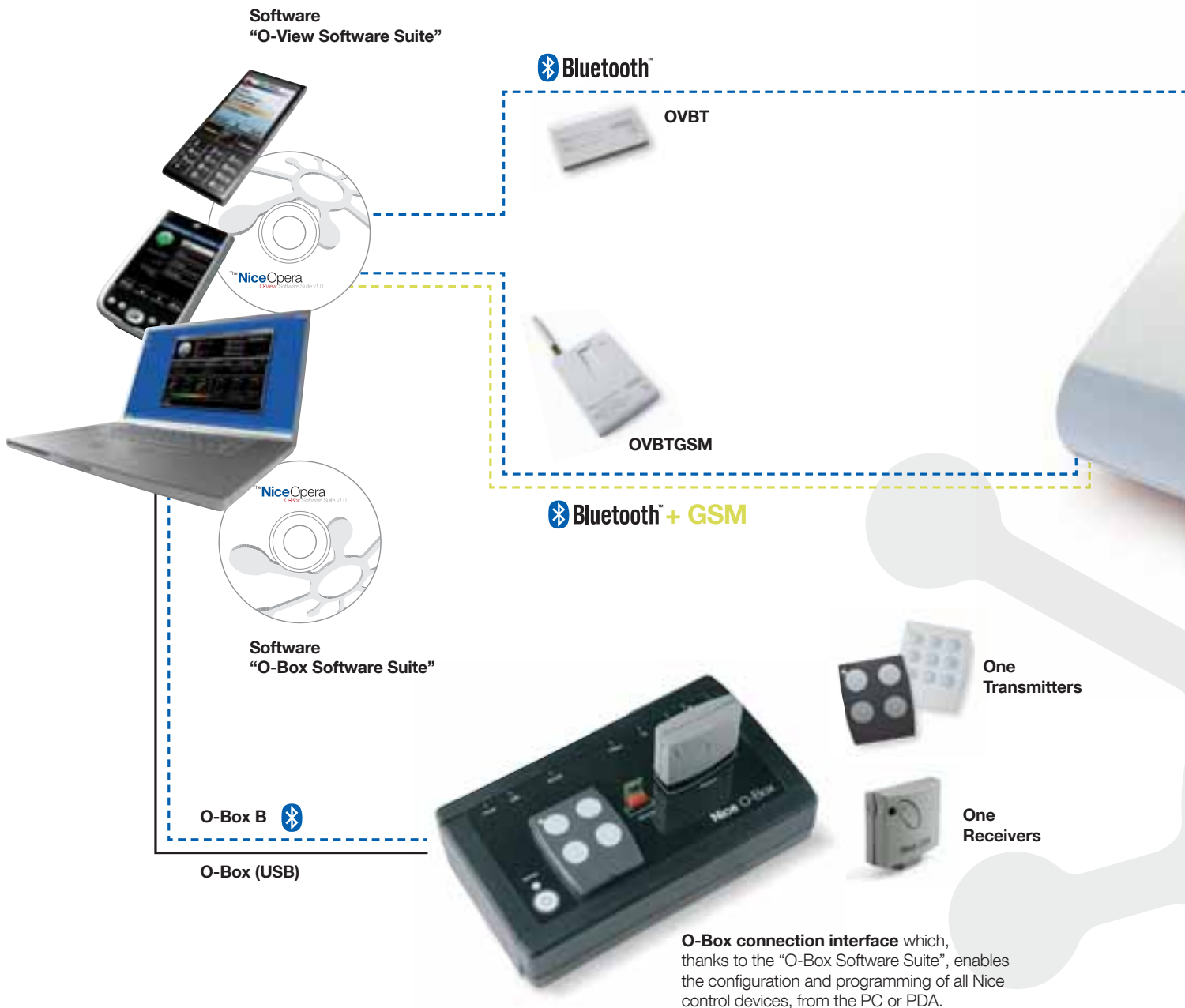
Transmitters and receivers

158|159 Control interface INB
160|165 NiceWay
166|169 Sistema Tag
170|175 Flor-s, Flor-m,
VeryVR, Planotime
176|177 Smilo
178|179 Flo, VeryVE

Nice Opera Control, advanced management of automation systems also at a distance.

The innovative Opera system enables the installer to manage, program and control automation systems, also remotely, simply and safely, with significant savings in time.

The **Opera** system comprises transmitters and **One** series receivers, the O-Box connection interface and the communication software **“O-View Software Suite”** and **“O-Box Software Suite”**. All components communicate via **BUS T4** or the new **O-Code** Rolling Code system, making transmissions safer and reducing automation response times.



Nice Opera simplifies the installer's work, making for easier programming, and enabling access to all control panel parameters to adapt the system to all requirements. No specific procedures needed for each product: single programming mode with intuitive menus, with no need to consult instructions.

Constantly efficient assistance for all customers: Simplifies system programming by means of the O-View multifunction display which when connected directly to the control panels compatible with the Opera system via BUS T4, enables full access to the system functions, for practical, rapid and advanced programming.

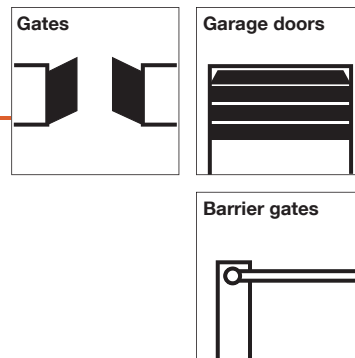
BUS T4 is the innovative communication protocol that enables you to create extensive networks of compatible automation systems, managing them from a single point via O-View.

Device management can be protected by two password levels. By interfacing the system with the PC, you can control a complex automation system such as those found in densely frequented buildings (hospitals, hotels, companies, etc.).



<<< BUS T4

O-View, multifunction display
Unit for control, programming and diagnostics for devices equipped with BUS T4 connection, on site or remotely via GPRS thanks to the connection with your PDA, Smartphone or PC.

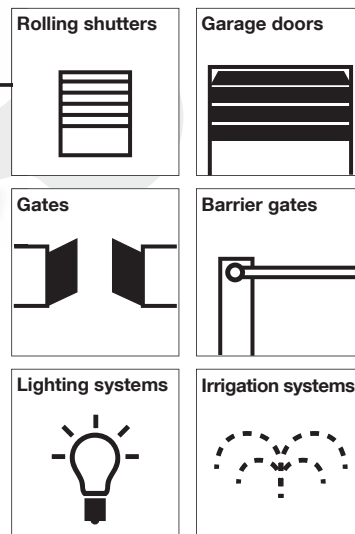


<<< BUS T4

OX4T universal 4-channel receiver with built-in transmitter. For remote control of any automation, irrigation and lighting systems or other electrical circuits.



Nice Motors not designed for



Opera

Nice Control systems

Maximum versatility and safety in managing, from any point within the home, the range of Nice automations, and more....

User friendly and state-of-the-art control systems enable the activation of any system just as required: via radio, by card or by touch-control, digital combination keypads or using a simple key.

The Nice range has a wealth of solutions that use radio signals to simplify the installation, the programming and use of each automation.

1. With just a click

Small, slim and coloured, ideal to carry in your pocket, bag or use as stylish key rings, or table-top or wall-mounted, for control of the entire home at your fingertips! These are the Nice radio control systems, the choice is yours!



One



FloR



Smilo



Very

NiceWay

Modular radio control system for made-to-measure proper solutions



Portable and table-top supports



Portable, wall mounted and table-top supports



Wall mounted supports



Mini covers

Discover how easy it is to guarantee safety with Nice products, all compliant with the most stringent of European standards: positionable synchronised photocells; obstacle detection and phototest function to prevent manoeuvres when necessary; 24 V power supply and rechargeable batteries to enable motor operation also during a power failure.

2. Combined, key or touch selectors

Practical digital or lock type selectors, or proximity systems to enter and exit in total safety.



MoonTouch and MoonKey



MyMoon



MOCARD and HSB1

3. Automatic timer

With this timer each automation system can be set as you prefer, assigning the desired time and the usage modes, to be woken up by the early morning sun, protect your geraniums from the midday sun, or to open and close them all at a particular time.



Planotime

4. Recessed Systems

Nice presents its recessed control: the ultra-compact dimensions enable all products in the miniaturised Tag control range to be installed inside standard wall-mounted plates. The height of subtlety...



Tag System

5. Safer & Safer

Nice&Safe

Makes every installation even safer, in an easy and quick way.



Moon and MoonBus



F210



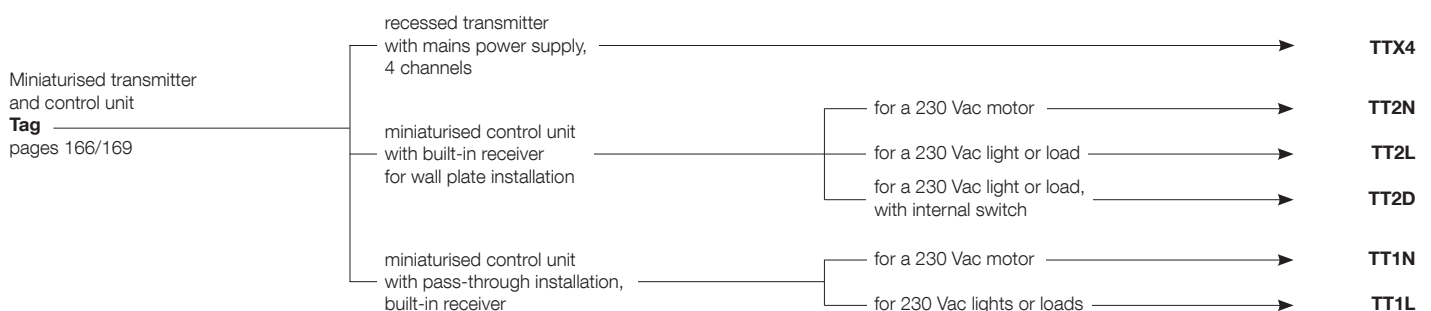
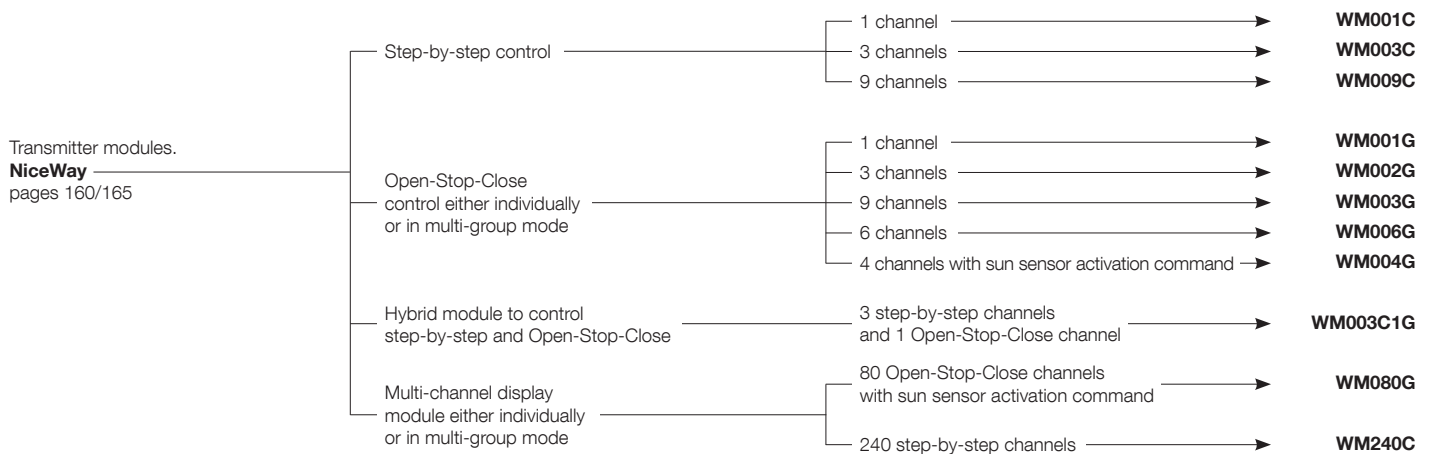
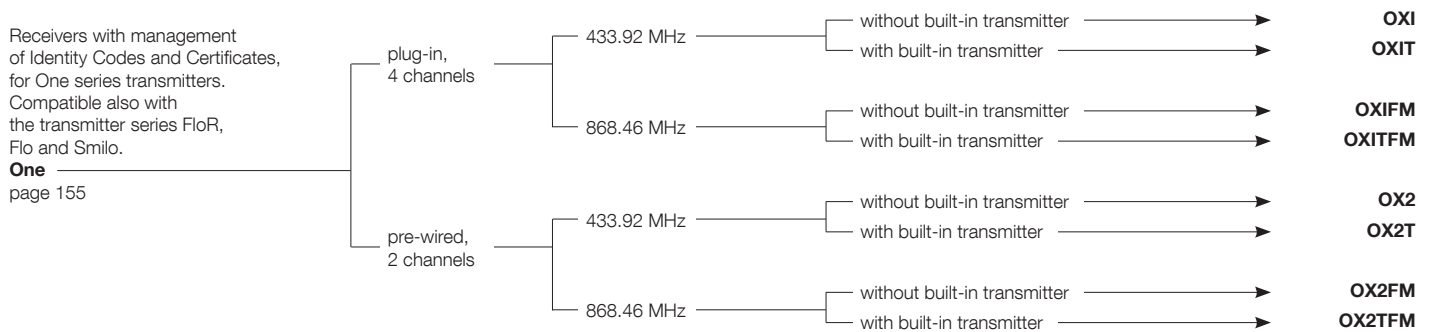
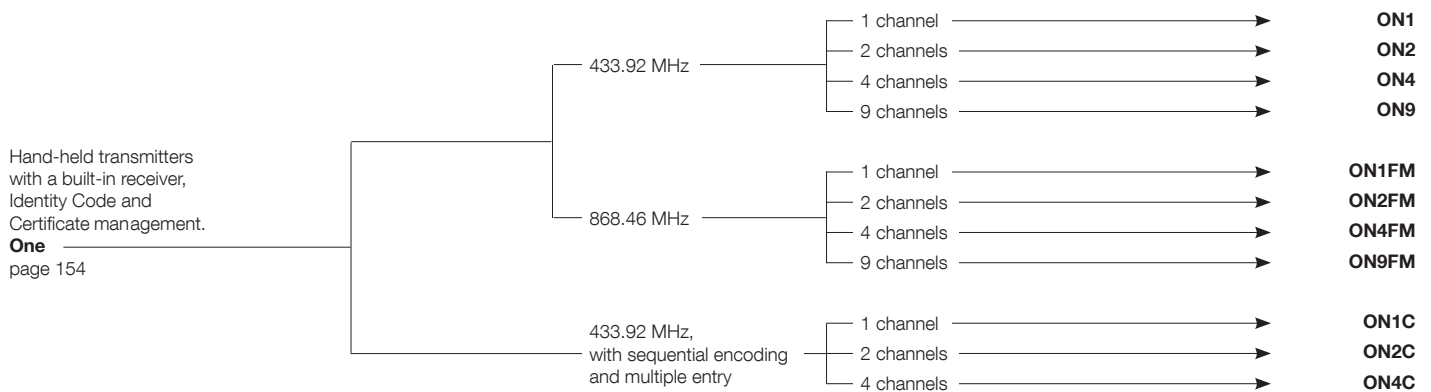
FT210



Moonlight and Wallyght

Nice Selection guide: control systems

Follow the arrow and choose the right product



One



NiceWay

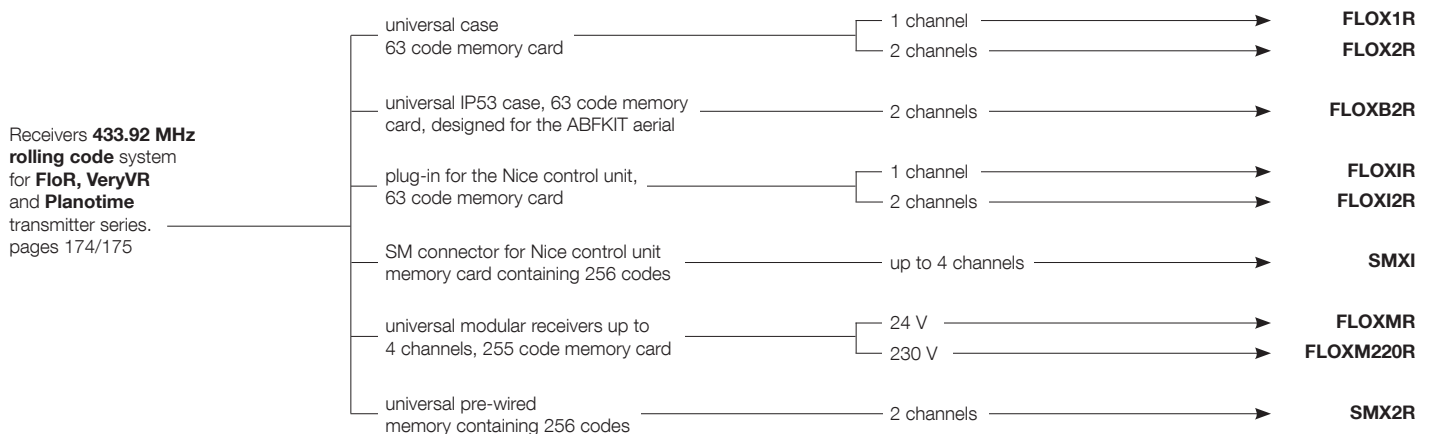
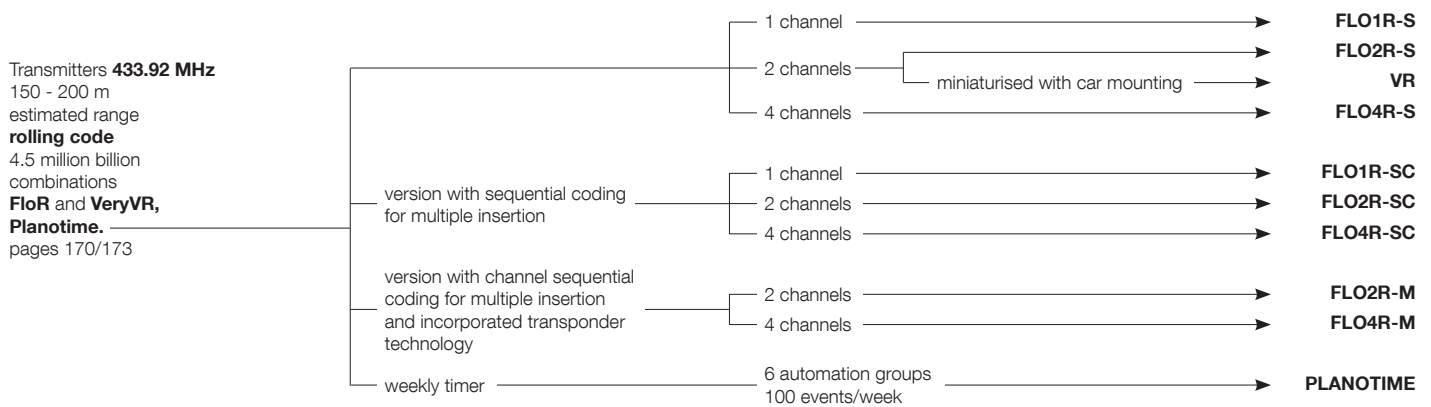


Tag



Nice Selection guide: control systems

Follow the arrow and choose the right product





FloR

Very

Planotime



Nice Selection guide: control systems

Follow the arrow and choose the right product

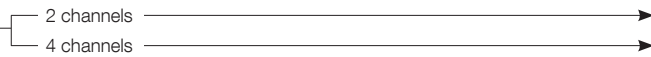
Transmitters **433.92 MHz**

rolling code

18 million billion combinations

Smilo

page 176



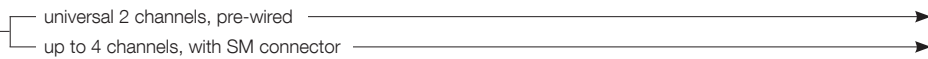
Receivers **433.92 MHz**

with memory

containing 256 codes

for **Smilo**

page 177



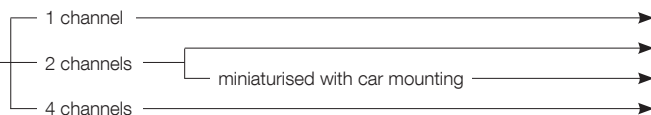
Transmitters **433.92 MHz**

with programmable code

1.024 **dip switch** combinations

Flo and VeryVE

page 178



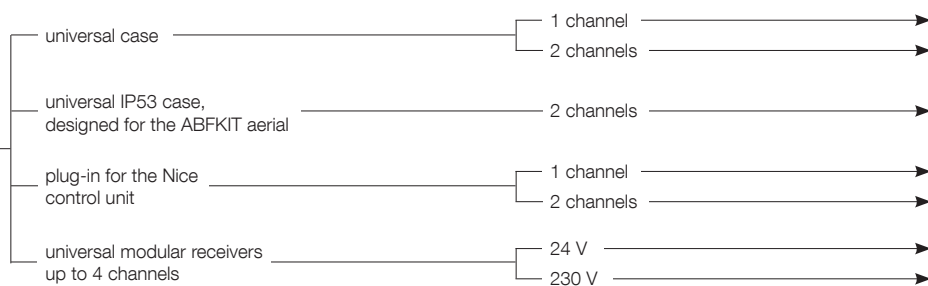
Receivers **433.92 MHz**

with programmable code

Flo and VeryVE

series of transmitters.

page 179



Smilo



Flo
Very



OVIEW



Unit for control, programming and diagnostics for devices equipped with BUS T4 connection, on site or remotely via GPRS thanks to the connection with your PDA, Smartphone or PC.

Advanced management of automation systems also at a distance: the multi-function display O-View is connected directly to the compatible control unit via a BUS T4 cable (supplied), enabling access to all control unit parameters to adapt the system to all needs. By connecting O-View permanently to a control unit or group of control units via BUS T4, a network can be created for local or remote centralised management.

Simple programming mode with intuitive menus valid for each product, with no need to consult the specific instructions.

O-View powers up and automatically recognises all devices on the network as soon as it is connected, displaying only the specific parameters of the device on which to intervene.

In the case of several devices on the network the BUS T4 address is identifiable by means of a text label personalised as required, enabling rapid recognition of the associated device.

Programmable: thanks to the built-in clock, it is also possible (with integrated backup battery) to program delivery of commands at a set time, for example to automate opening and closing of complex industrial and commercial systems or for the creation of "scenarios".

A practical wall-mounted support supplied.

Safe: two password-protected levels.

Practical: O-View is your portable office, and can be connected just when programming or for maintenance, or can be installed permanently on site to exploit all the benefits of local or remote centralised management.

OVB T



OVB T GSM



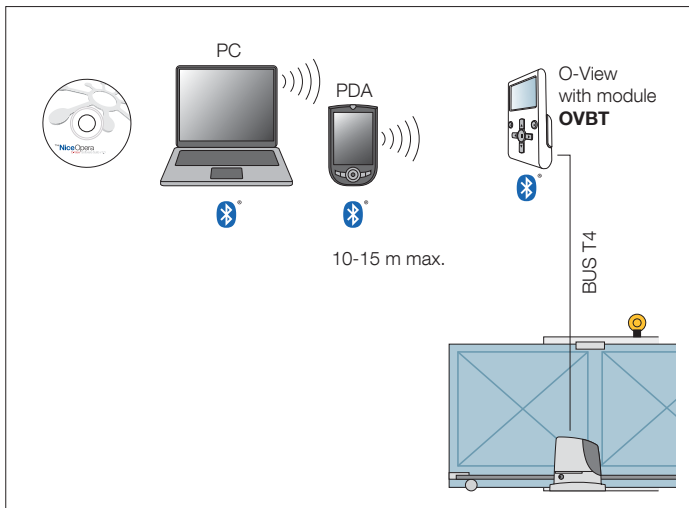
O-View Software Suite



Code	Description	Pc./Pack	Price €
OVIEW	Unit for control, programming and diagnostics of devices equipped with BUS T4 connection	1	246,50
OVB T	Bluetooth module for O-View and "O-View Software Suite" application for PC, PDA or Smartphone	1	291,00
OVB T GSM	GSM module for O-View and "O-View Software Suite" application for PC, PDA or Smartphone	1	425,00

Technical specifications

Graphic interface	: LCD display 128 x 64 dots (46x29 mm); 2.2"
Operator input device	: joystick with 5 + 2 keys
Display/key lighting	: white light
Time and date display	: with backup battery (min. lifetime 10 years)
Maximum number of commands per hour	: 64
Event log	: storage capacity 400 events
Connection cable length (m)	: 2 (cable supplied); 700 (other cable)
Power supply	: supplied by devices on BUS T4 network
Absorbed current (mA)	: max. 20 (without accessories)
Insulation	: Class III
Housing protection rating (IP)	: 20
Working temp. (°C Min/Max)	: from -20° to +55°
Dimensions (mm)	: 107x61x20 h (with wall-mounted support: 125x70x32 h)
Weight (g)	: 75 (without cable)



OVBT

Bluetooth connection module for O-View interface.

"O-View Software Suite" enables connection via PC or PDA to O-View in the vicinity of the system, to intervene on the control units on the BUS T4 network. Maximum connection distance 15 m.

The interface of "O-View Software Suite" has been specially designed to enable rapid access to all parameters of the connected devices without the need for physical access, as well as quick diagnostics of malfunctions by consulting the event log, all the most practical and intuitive way possible.

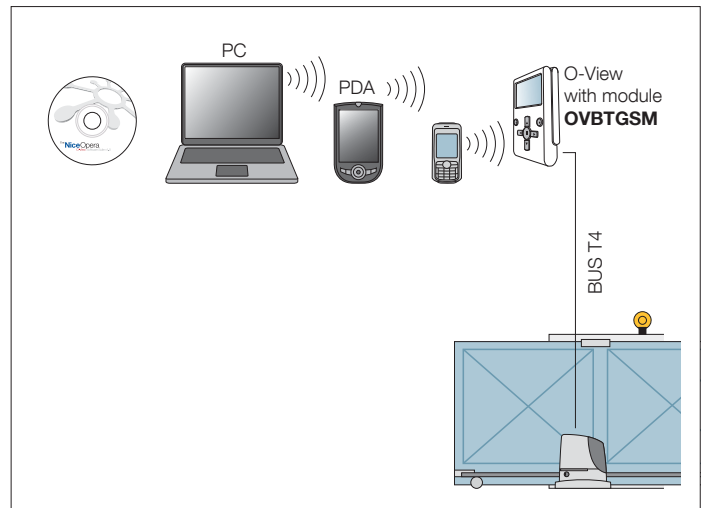
The O-View control function has been expanded: in just one PC screen, all applications connected via BUS T4 can be controlled.

O-View Software Suite

This application, supplied with OVBT and OVBTGSM, as well as expanding the functions of O-View enables the creation of a database of installations with personal data of clients and configurations of each system, even on more complex versions.

There are two versions of software: "O-View Desktop" designed for installation on a PC and "O-View Mobile" which enables use of the functions of the desktop version on a smaller screen of a PDA or Smartphone.

By connecting to the site www.nice-service.com users can download the constantly updated firmware and software versions.



OVBTGSM

In addition to the benefits of the OVBT module, the automation or network of automations can now be **controlled via GSM** by connecting O-View to the system via BUS T4.

A GPRS connection also enables connection via the Internet to O-View to obtain all management functions offered by the software from any location with no need for presence on site.

The user can remotely control the automation via GSM, from any of the enabled numbers, and check status, such as opening a gate by means of a phone call or by sending 4 different controls via SMS text message, with the security offered by entry of a unique password.

Minimum requirements

O-View Mobile version for PDA palmtop:

- Processor: (300 MHz) Recommended by Nice: (> 300 MHz)
- RAM: 64 MB Recommended by Nice: 128 MB
- Storage memory: 5 MB Recommended by Nice: 20 MB
- Operating system: Windows® Mobile 2003 Recommended by Nice: Windows® 5.0 or later
- Connection: Bluetooth®
- Graphics resolution: 240 x 320, 256 colours
- PC with: CD-Rom (required for software installation on palmtop).

O-View Desktop version for PC:

- Processor: type AMD®/Intel® (600 MHz) Recommended by Nice: type AMD®/Intel® (1 GHz)
- RAM: 128 MB Recommended by Nice: 256 MB
- Free space on disk: 280 MB Recommended by Nice: 512 MB
- Operating system: Windows® 98 SE or later Recommended by Nice: Windows® 2000 or later
- Connection: Bluetooth®
- Graphics resolution: 800 x 600, 256 colours
- Disk drive: CD-Rom (required for installation).

Note – software installation includes installation of the program Microsoft®.NET Framework Redistributable 2.0.



Accessories

Code	Description	Pc./Pack	Price €
OVA1	Clamp for fitting connectors RJ14	1	41,40
OVA2	Connectors RJ14, type 6/4, for flat 4-wire cable	10	22,70*
OVA3	RJ14 splitters, type 6/4, for cascade connection of devices on BUS T4 network	5	16,80*
OVA4	Flat 4-wire cable for connection of devices on BUS T4 network, length 100 m	1	99,00

* The price refers to the sale pack.



O-Box is the revolutionary connection interface which, thanks to the dedicated software **“O-Box Software Suite”**, enables **the configuration and programming directly from the PC or PDA**, practically and intuitively, **all transmitters, receivers and other Nice control devices.**

The convenience of remote control: O-Box enables a number of tasks to be performed directly from the office, without the need to visit the client’s system. For example the operator can program the functions and parameters of transmitters with the utmost of ease, and send them already configured and operative to the clients.

It is also possible to:

- program transmitters in the One series via radio;
- manage all functions via radio of the receivers in the One series fitted with built-in transmitter;
- read and write transponder badges in the Moon series;
- receive data via radio from transmitters in the series Smilo, VeryVE, Flo, VeryVR, FloR, One, Niceway or via optical reader for transmitters in the Bio series;
- program receivers in the series Smilo, Bio, FloR and One and memories of the control devices MOMB, MOTB and MORX;
- create and manage an updated database with personal data of clients and configurations of the receivers installed in the respective systems.

O-Box interfaces with your PC or PDA palmtop, performing the control, entry, deletion, enabling or disabling of codes, programming of the memory, functions and typical parameters of the receivers, transmitters and other Nice control devices.

The software “O-Box Software Suite” can be installed quickly and easily either on PC (O-Box Desktop version) or on PDA palmtop (O-Box Mobile version).

Universal: O-Box manages all programming procedures possible by means of BUPC and MOU. It also enables import of databases previously created using the software for BUPC and MOU.

Code	Description	Pc./Pack	Price €
OBOX2	Connection interface complete with software “O-Box Software Suite” with USB connection cable supplied. Dual Band, for devices at 433.92/868.46 MHz	1	382,00
OBOX2B	Connection interface complete with software “O-Box Software Suite” with USB connection cable and integrated Bluetooth module. Dual Band, for devices at 433.92/868.46 MHz	1	636,00

Technical specifications

Code	OBOX2	OBOX2B
Frequency reception (MHz)	433.92/868.46	
Estimated range (m)	10	
Communication with Windows	USB, RS232	Bluetooth, USB, RS232
Communication with Windows Mobile	-	Bluetooth
Working temp. (°C Min/Max)	-20 : +55	
Dimensions (mm)	195x116x48	
Weight (kg)	412	418

Accessories

Code	Description	Pc./Pack	Price €
ALA1	Battery charger power supply unit	1	39,40
CABLA01	Cable for connecting O-Box to the computer via the RS232 port	1	(see spare parts price-list)
CABLA02	Optical reader for programming transmitters in the series "Bio" and "FloR"	1	(see spare parts price-list)
CABLA03	Cable for cloning transmitters in the series "Very"	1	(see spare parts price-list)
CABLA04	Cable for cloning transmitters in the series "Bio" and "FloR"	1	(see spare parts price-list)
CABLA05	Cable for programming tubular motors for awnings and shutters, equipped with port TTBUS	1	(see spare parts price-list)
CABLA06	Cable for programming receivers universal in the series "SMX" and "OX"	1	(see spare parts price-list)
CABLA07	Cable for cloning transmitters in the series "Ergo" and "Plano"	1	(see spare parts price-list)

Note on CABLA accessories:

O-Box is only supplied with the USB cable; all other cables are optional and are not supplied in the pack.

Minimum software installation requirements



O-Box Mobile version for PDA palmtop:

- Processor: (300 MHz) Recommended by Nice: (> 300 MHz)
- RAM: 64 MB Recommended by Nice: 128 MB
- Storage memory: 5 MB Recommended by Nice: 20 MB
- Operating system: Windows® Mobile 2003
Recommended by Nice: Windows® 5.0 or later
- Connection: Bluetooth®
- Graphics resolution: 240 x 320, 256 colours
- PC with: CD-Rom (required for software installation on palmtop).

O-Box Desktop version for PC:

- Processor: type AMD®/Intel® (500 MHz)
Recommended by Nice: type AMD®/Intel® (1 GHz)
- RAM: 128 MB Recommended by Nice: 256 MB
- Free space on disk: 280 MB Recommended by Nice: 512 MB
- Operating system: Windows® 98 SE or later
Recommended by Nice: Windows® 2000 or later
- Connection: Bluetooth®
- Graphics resolution: 800 x 600, 256 colours
- Disk drive: CD-Rom (required for installation).

Note – software installation includes installation of the program Microsoft®.NET Framework Redistributable 2.0.



The complete range of hand-held transmitters with management of Identity Codes and Certificates, self-learning and built-in proximity receiver.

With O-Code encoding at 72 Bit, also compatible with receivers using Nice FloR encoding (only for One version at 433.92 MHz).

The **One system** comprises transmitters at 1, 2, 4 and 9 channels and receivers with connector, pre-wired, with and without built-in transmitter.

Wide selection of models at:

- **433.92 MHz, Rolling Code** using **AM amplitude modulation.**

Also available in the version with sequential encoding and multiple entry (OneC).

- **868.46 MHz, Rolling Code** using **FM frequency modulation**, less sensitive to disturbance with respect to AM amplitude modulation, ensuring safer transmissions and reducing automation response times.

Safe and evolved: use of calculation and recognition system to increase security and reduce automation response times by up to three times.

With a **built-in proximity receiver**, which thanks to the exchange of the **Identity Code** between the two radio controls, enables memorisation of a new transmitter using one already enabled on the receiver.

Rapid entry, without the need for cable connections: thanks to **Certificate management and the interface O-Box**, a One transmitter can be enabled without the need to be present at the system, by simply positioning it in the vicinity of O-Box and starting up the **guided procedure from PC or PDA.**

Possibility of programming **identity codes and 9 certificates** of the receivers

The **OneC** model makes it possible to memorise entire packs in one operation, without even having to open them.

A practical and stylish transmitter, One can be used as a refined and technological key ring or be wall-mounted or fitted to the dashboard of your car, thanks to the handy support included in the pack.

ON1 ON1C	ON2 ON2C	ON4 ON4C	ON9
ON1FM	ON2FM	ON4FM	ON9FM

Code	Description	Pc./Pack	Price €
ON1	1 channel, 433.92 MHz, colour graphite	10	33,60
ON1C	1 channel, 433.92 MHz, colour graphite, with sequential encoding and multiple entry	10	35,80
ON2	2 channels, 433.92 MHz, colour graphite	10	35,80
ON2C	2 channels, 433.92 MHz, colour graphite, with sequential encoding and multiple entry	10	38,10
ON4	4 channels, 433.92 MHz, colour graphite	10	40,50
ON4C	4 channels, 433.92 MHz, colour graphite, with sequential encoding and multiple entry	10	42,70
ON9	9 channels, 433.92 MHz, colour graphite	10	64,00
ON1FM	1 channel, 868.46 MHz, colour white	10	37,50
ON2FM	2 channels, 868.46 MHz, colour white	10	40,50
ON4FM	4 channels, 868.46 MHz, colour white	10	45,50
ON9FM	9 channels, 868.46 MHz, colour white	10	72,00

Technical specifications

	Carrier frequency	Estimated range	Encoding	Power supply	Battery lifetime	Protection rating	Dimensions Weight
ON_ , ON_C	433.92 MHz	200 m (outdoors); 35 m (inside buildings)*	O-Code 72 bit; rolling code	3 Vdc; lithium battery type CR2032	2 years (with 10 transmissions per day)	IP40 (use in protected environments)	44x55x10 h mm 11 g
ON_FM	868.46 MHz						

* The range of the transmitters and reception capacity of the receivers is strongly influenced by other devices operating in the area at the same frequency.

The complete range of multicode receivers with management of Identity Codes and Certificates.

With connector, pre-wired, with and without built-in transmitter.

Available in two versions:

- 433.92 MHz;
- 868.46 MHz.

Each receiver in the series One has its own secret **identification number** known as a **Certificate** to distinguish it from all others. The Certificate can also be programmed on the transmitter in the One range which uses it as an enable code to interact with the receiver.

Practical and functional:

the built-in transmitter of the receivers OXIT/OXITFM and OX2T/OX2TFM enables **bi-directional communication with the multi-functional O-Box interface**; enables operations such as download of radio codes, management of certificates and passwords directly on the receiver, also when located in positions difficult to access.

3 password-protected levels.

Internal transmitter:

the receivers OXIT/OXITFM and OX2T/OX2TFM can be used as signal repeaters to increase the operating distance between transmitters and other possible receivers in the One series. By means of O-Box, the new receivers in the One series can also be interfaced with a PC or PDA for simple and rapid programming of certificates.

3 programming modes.

Maximum flexibility: memory capacity of up to 1024 transmitters in Mode I.

Multicode:

receivers in the One series are compatible with the transmitters with encoding system O-code One at 868.46 MHz and at 433.92 MHz and Smilo, Flo, FloR, TTS (only for One at 433.92 MHz) for multi-group transmission, which enables the delivery of multiple commands simultaneously from a single transmitter.

Receivers

433.92 MHz, with connector

Code	Description	Pc./Pack	Price €
OXI	4 channels, without built-in transmitter	1	59,50
OXIT	4 channels, with built-in transmitter	1	68,50

868.46 MHz, with connector

Code	Description	Pc./Pack	Price €
OXIFM	4 channels, without built-in transmitter	1	66,50
OXITFM	4 channels, with built-in transmitter	1	77,00

433.92 MHz, pre-wired

Code	Description	Pc./Pack	Price €
OX2	2 channels, without built-in transmitter	1	106,50
OX2T	2 channels, with built-in transmitter	1	123,00

868.46 MHz, pre-wired

Code	Description	Pc./Pack	Price €
OX2FM	2 channels, without built-in transmitter	1	119,50
OX2TFM	2 channels, with built-in transmitter	1	138,00

Technical specifications

	Frequency reception	Frequency transmission	Impedance input	Sensitivity	Decoding	Number of channels	Contact relay	Power supply	Absorption	Protection rating	Dimensions weight	
OXI	433.92 MHz	-	52 Ohm	>0.5 μ V for signal successful	O-Code, Smilo, FloR, Flo, TTS	4 (15 on BUS T4)	-	5 Vdc	30 mA (max)	IP 30	50x19x45 h mm, 20 g	
OXIT		433.92 MHz				2						max 0.5 A 50 V (NA)
OX2		-				4 (15 on BUS T4)	-	5 Vdc	30 mA (max)			58x86x22 h mm, 55 g
OX2T		433.92 MHz										
OXIFM	868.46 MHz	-	52 Ohm	>0.8 μ V for signal successful	O-Code	4 (15 on BUS T4)	-	5 Vdc	30 mA (max)	IP 30	50x19x45 h mm, 20 g	
OXITFM		868.46 MHz				2						
OX2FM		-				4 (15 on BUS T4)	-	5 Vdc	30 mA (max)			58x86x22 h mm, 55 g
OX2TFM		868.46 MHz										



Universal 4-channel receiver in the One series, with built-in transmitter.

For remote control of any automation on gates, garage doors, road barriers, shutters, awnings, venetian blinds, irrigation and lighting systems or other electrical circuits.

Equipped with BUS T4 connector for connection to O-View.

An even more extended system:

OX4T manages 4 outputs controlled by 4 relays, usable as power relays or voltage-free contacts, to extend use of the Opera system also to devices with specific provisions.

Thanks to the internal transmitter, OX4T can be used as a repeater, thereby increasing the operating range between transmitters and other receivers in the One series.

Practical and functional:

OX4T can be connected via radio to the interface O-Box and via BUS T4 to the multifunction display O-View, to enable programming, diagnostics, timed functions and management of codes, also remotely by means of the modules OVBT and OVBTGSM.

2 programming modes:

"Mode I" and the new "extended Mode II" which enables expansion of the number of controls to up to 14.

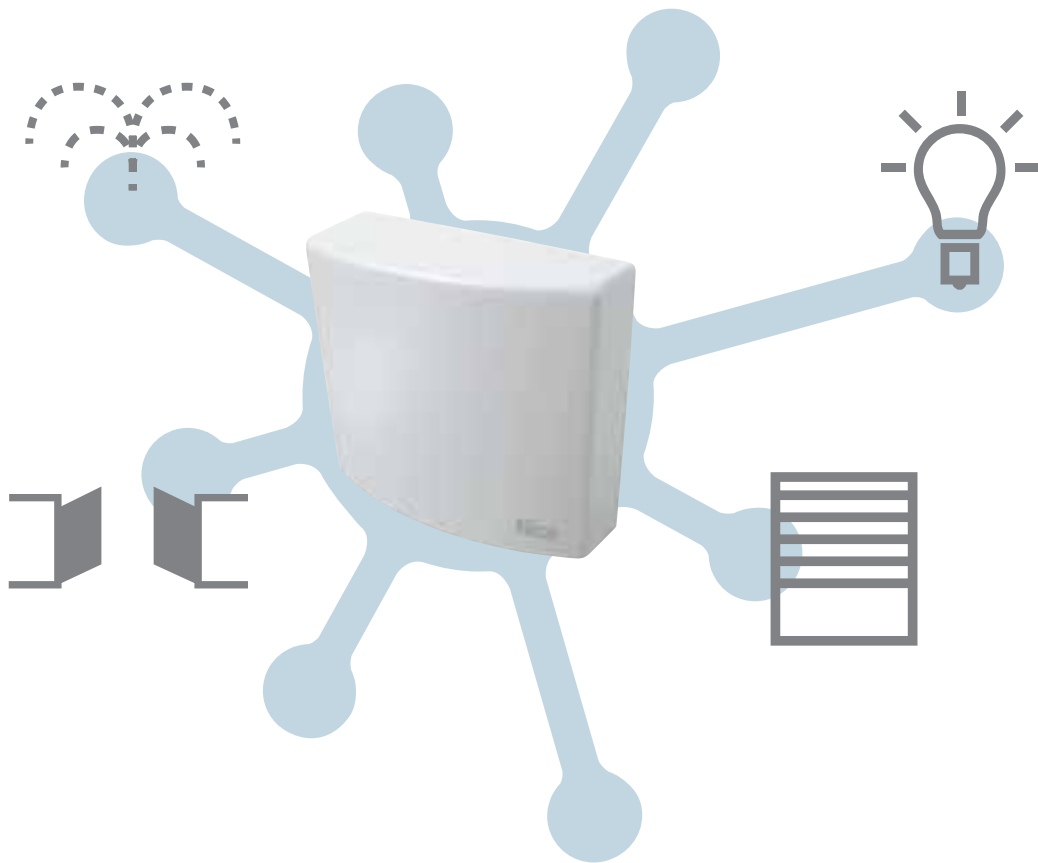
Multicode: OX4T is also compatible with the transmitters with encoding system O-code, Smilo, Flo, FloR, FloR and TTS with or without self-learning, for multicode transmission, which enables the delivery of simultaneous commands from a single transmitter.

OX4T is fitted with removable terminals to facilitate connections and a generously sized memory to enable storage of up to 1024 transmitters, with the option for password protection.

Code	Description	Pc./Pack	Price €
OX4T	Universal 4-channel receiver with built-in transmitter	1	150,50

Technical specifications

Power supply (Vac 50/60 Hz)	: 110 ÷ 240
Maximum absorbed current (mA)	: 80
Encoding	: O-Code / TTS / FloR (rolling code); or Smilo (rolling code) or Flo
Frequency (MHz)	: 433.92
Antenna impedance (ohm)	: more than 0.5 for successful signal
Estimated range (m)	: 200 in open spaces 35 if inside buildings
Radiated power (dBm)	: +2
Max. capacity of transmitter memory	: 1024 (maximum)
Outputs	: 4 relays with NO and NC contacts, voltage-free
Contact capacity	: 5 A - 250 V
Timer times	: programmable from 2 seconds to 540 minutes
Protection rating (IP)	: 44 (with container intact)
Working temp. (°C Min/Max)	: from -20° to +55°
Dimensions (mm)	: 128x112x43 h
Weight (g)	: 260



Accessories



Code	Description	Pc./Pack	Price €
OVA1	Clamp for fitting connectors RJ14	1	41,40
OVA2	Connectors RJ14, type 6/4, for flat 4-wire cable	10	22,70*
OVA3	RJ14 splitters, type 6/4, for cascade connection of devices on BUS T4 network	5	16,80*
OVA4	Flat 4-wire cable for connection of devices on BUS T4 network, length 100 m	1	99,00

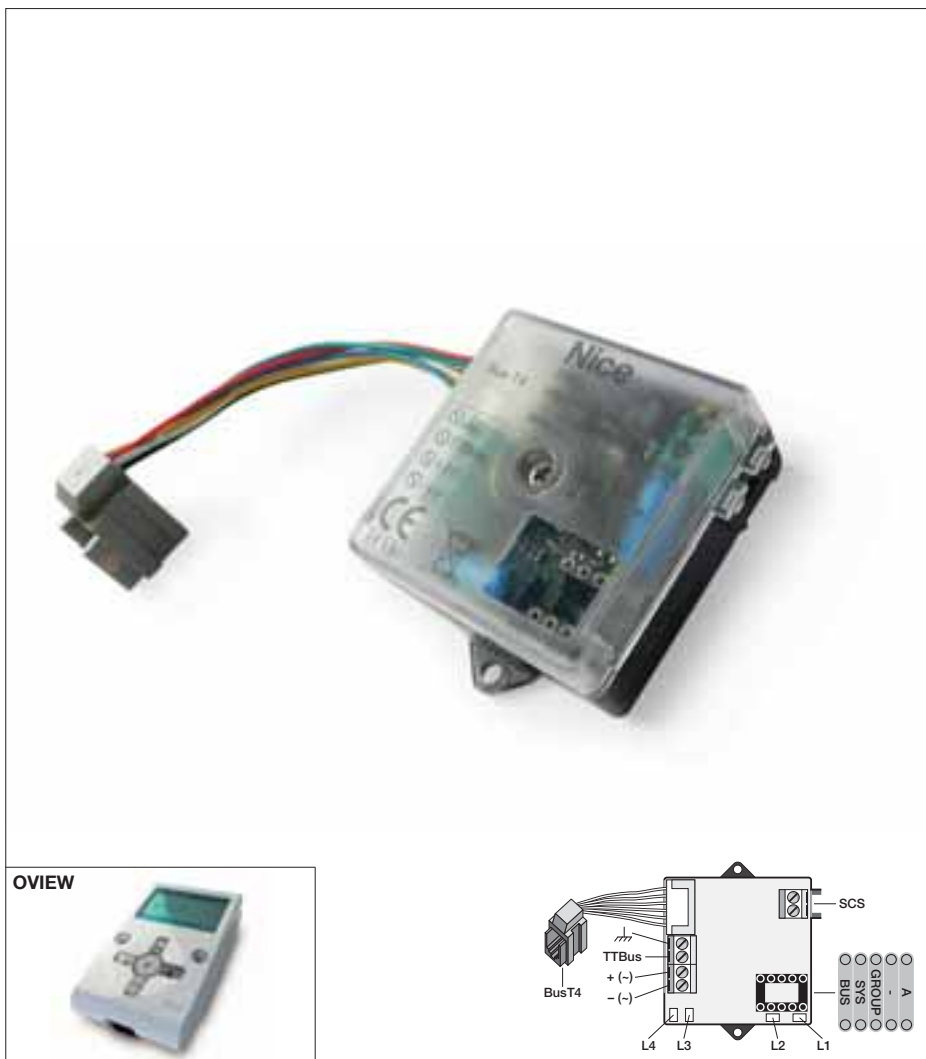
Nice and MyHome BTicino

Control interface for maximum control of the home.

A single integrated system for management of Nice automations via the control systems MyHome of BTicino.

A new intelligent and cost-saving system.





OVIEW

Code	Description	Pc/Pack	Price €
INB	Communication interface between Bticino Bus (SCS) and Nice Bus (TTBus and BusT4)	1	176,50

Code	Description	Pc/Pack	Price €
OVIEW	Unit for control, programming and diagnostics of devices equipped with BUS T4 connection	1	246,50
OVIEWTT	Unit for control, programming and diagnostics for devices equipped with TT BUS connection	1	Ref. Nice Screen Price L1st

INB, the Nice control interface

that enables communication between the systems Nice Bus (TTBus and BusT4) and MyHome of BTicino (SCS).

Nice gives life to a unique home automation system, able to dialogue with all devices that control household functions, enabling, via simple pushbuttons or latest generation BTicino touch screens:

- control of up to four Nice automations for **gates** and **garage doors** with motors and/or control units fitted with BusT4 technology, or **awnings** and **shutters** with tubular motors fitted with TTBus technology;
- **control of lighting, heat control, sound diffusion, security and communication.**

The design for total integration guarantees:

- **reduced installation times and maintenance** thanks to the creation of a single Nice-BTicino system;
- **ease of installation:** INB can be installed in any junction box thanks to its compact dimensions;
- **modular system with provision for expansion** without the need for further masonry work and rationalised wiring; additional devices can easily be integrated without laying new cables and via a single supervision device;
- **maximum flexibility and safety:** within the Bus network, each device has a unique identification by the assignment of a specific value during programming, which enables each device to be distinguished from the others belonging to the same "TTBus" network or "BusT4" network connected to the same interface. To add further devices later as required, each one can simply be assigned to a free address, connected to the Bus, and configured via Nice hand-held palm-tops. Practical connections via terminals and connectors;
- **compatible with a wide range** of Nice motors (TTBus / BusT4) equipped with Opera technology for total freedom of choice.

Technical specifications

	Power supply	Consumption	Insulation	Protection rating (IP)	Working temp. (°C Min. Max)	Dimensions (mm)
INB	to BusT4, or 24 Vac/dc (limits 20 ÷ 35 Vdc, 22 ÷ 35 Vac)	approx. 18 mA	class III	20	-20÷50 °C	41x52x18h

Modular control system

to manage the range of Nice automations, such as awnings, rolling shutters, gates and garage doors, from any point within the home.



1. The transmitter module 2. The module holder cover 3. Wall or table shockproof holder 4. Table shockproof holder 5. Squared wall plate 6. Rectangular wall plate.

Technical specifications

Power supply (Vdc)	: 3 V with 1 lithium battery CR2032
Battery life	: > 2 years with 10 events/day
Frequency	: 433.92 MHz ± 100 KHz
Radiated power	: estimated at approx. 1 mW
Protection rating (IP)	: 40
Estimated range	: 200 m in a free field, 35 m indoors
Coding	: 52 Bit rolling code
Operating temperature (°C Min. Max.)	: -20 ÷ +55
Dimensions (mm)	: 41x41x10
Weight (g)	: 14

Modular

The NiceWay system is based on a number of transmitter modules that can be placed in five different holder models to create a flexible range of made-to-measure solutions. Although the modules, available from 1 to 80 groups or 240 channels, are very small in size, they are extremely easy to operate.

Advanced and compatible

Frequency of 433.92 MHz, 52 Bit Rolling Code with (over 4.5 million of billion combinations); self-learning function.

Compatible with the 433.92 MHz Nice Ergo, Plano, FloR and VeryVR systems (Flo and Smilo with WM240C and WM080G).

Estimated range: 200 m in a free field, 35 m indoors. Extended battery life (3 V lithium battery).

All the NiceWay solutions

The 240 channel module with display, which controls 80 groups and 70 multi-groups, is ideal for the management of sophisticated systems. All the awnings, roller shutters and gates, as well as the office, home and hotel irrigation and lighting systems in just 14 g and 16 cm²!

Made-to-measure

To protect the electronic parts from dirt and damp, the rubber function buttons are incorporated in the actual body of the control modules.

NiceWay can be used anywhere in the home, in the garage, the living room, the kitchen as well as the bathroom.

Professional

For a more professional and practical use, the system can be programmed by means of the handy Nice palmtops.

Nice Design




Sophisticated shock-proof materials, immaculate finish, and essential design: wear, comfort and ease are guaranteed by the internationally renowned and prize-winning Nice design.

The choice of discreet or personalised solutions is vast thanks to the wide choice of colours and finishes.

The heart of the NiceWay system


The 1, 3, 6 and 9-channel modules for the control of single automations, groups or multi-groups: awnings, roller shutters, rolling doors, gates, industrial and garage doors, barrier gate operators, lighting and irrigation systems.

Modules to control Step-by-Step automation systems






Module	Code	Description	Pc/Pack	Price €
	WM001C	Single channel module to control 1 automation system	10	24,90
	WM003C	Three channel module to control 3 Step-by-Step automation systems	1	40,50
	WM009C	Nine channel module to control 9 Step-by-Step automation systems	1	59,00

Memorizing radio controls in Mode I: ON - OFF Mode II: ON/OFF - HOLD TO RUN - TIMER1 - TIMER2 (for the Screen products MOD0 II programming)



Hybrid module to control Step-by-Step and Open-Stop-Close automation systems

Module	Code	Description	Pc/Pack	Price €
	WM003C1G	Module to control 3 Step-by-Step and 1 Open-Stop-Close automation systems	1	49,60

Modules to control Open-Stop-Close automation systems

Module	Code	Description	Pc/Pack	Price €
	WM001G	Module to control 1 Open-Stop-Close automation system either individually or in multi-group mode	1	40,00
	WM002G	Module to control 2 Open-Stop-Close automation systems either individually or in multi-group mode	1	49,10
	WM003G	Module to control 3 Open-Stop-Close automation systems either individually or in multi-group mode	1	58,50
	WM006G	Module to control 6 Open-Stop-Close automation systems either individually or in multi-group mode	1	58,50
	WM004G	Module to control 4 Open-Stop-Close automation systems either individually or in multi-group mode and sun sensor activation command	1	65,50

Multi-channel display module

Module	Code	Description	Pc/Pack	Price €
	WM080G	Module to control 80 Open-Stop-Close automation systems either individually or in multi-group mode and sun sensor activation command	1	111,00
	WM240C	Module to control 240 Step-by-Step automation systems either individually or in multi-group mode	1	112,00



NiceWay - Stone Portable and table-top supports.

Fetching and practical

With Stone the radio control device becomes even more functional and catching. In shock-proof rubber to completely protect the transmitting module, fully directional for greater reception, Stone is available in neutral or bright colours so as to perfectly blend into modern or elegant homes.

Comfortable anywhere

Resistant to the most violent of shocks and garden humidity, Stone is always easy to find, be it on the living room or office coffee table, on the kitchen worktop, in the bathroom or on the side of the pool.



Code	Description	Pc/Pack	Price €
WEW	Table shockproof holder, white	10	17,60
WET	Table shockproof holder, neutral transparent	10	17,60
WEO	Table shockproof holder, orange	10	17,60



NiceWay - Ondo Portable, wall mounted and table-top supports.

Portable, from table to wall

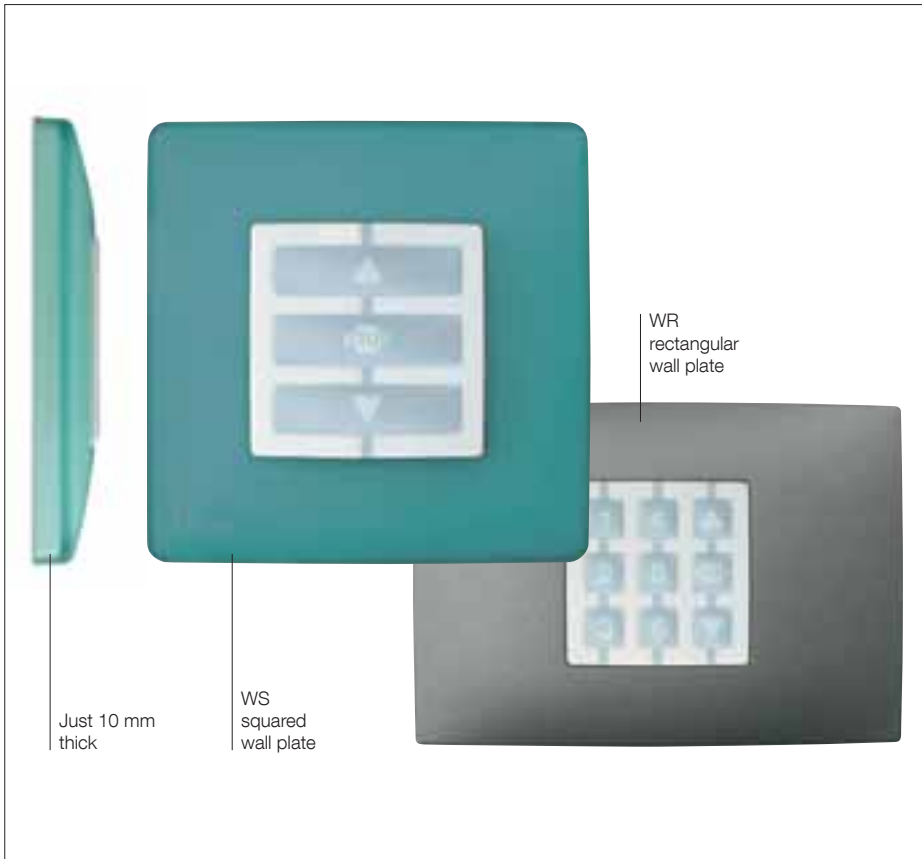
Ondo is the versatile NiceWay line support; the wall support with its simple magnetic fixing system, transforms Ondo from a comfortable portable transmitter to an inconspicuous wall plate.

Ondo, made in a shiny dirt-resistant plastic, has a rubber lower section to improve grip and prevent slipping when used on surfaces.

The transmitter module can be inserted so that Ondo can be used both in width and in length to increase the personalisation possibilities.

Code	Description	Pc/Pack	Price €
WAX	Table holder, white plastic + Ice Blue rubber	10	6,00

Code	Description	Pc/Pack	Price €
WWW	Magnetic wall support for Ondo	10	4,80



NiceWay Wall plaques.

Inconspicuous, fetching and functional

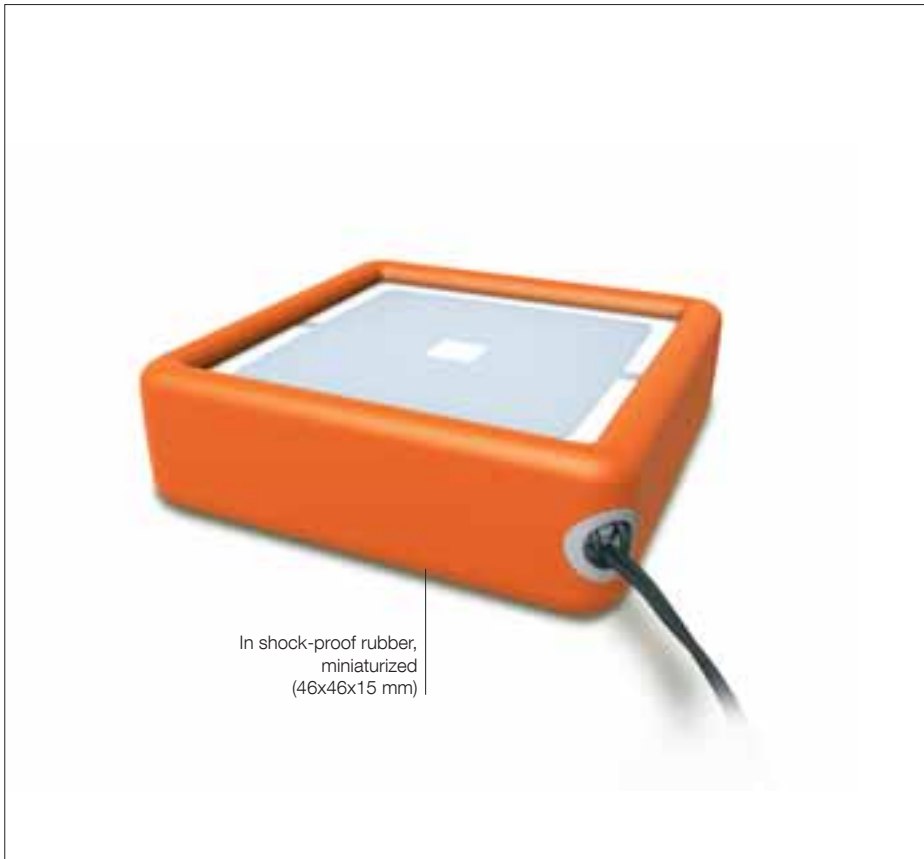
Extremely slim - as is the plate itself - the transmitter inserted into the Opla wall plate permits to inconspicuously and fetchingly add additional control points without having to perform any building operations.

The NiceWay Opla wall plates are available in the square Opla-S version and the rectangular Opla-R version and in many different colours.



Code	Description	Pc/Pack	Price €
WSW	Squared wall plate, white	10	5,50
WSB	Squared wall plate, black	10	5,50
WSA	Squared wall plate, aluminium	10	6,00
WSG	Squared wall plate, graphite	10	6,00
WST	Squared wall plate, neutral transparent	10	6,00
WSS	Squared wall plate, seawater	10	6,00

Code	Description	Pc/Pack	Price €
WRW	Rectangular wall plate, white	10	6,50
WRB	Rectangular wall plate, black	10	6,50
WRA	Rectangular wall plate, aluminium	10	7,20
WRG	Rectangular wall plate, graphite	10	7,20
WRT	Rectangular wall plate, neutral transparent	10	7,20
WRS	Rectangular wall plate, seawater	10	7,20



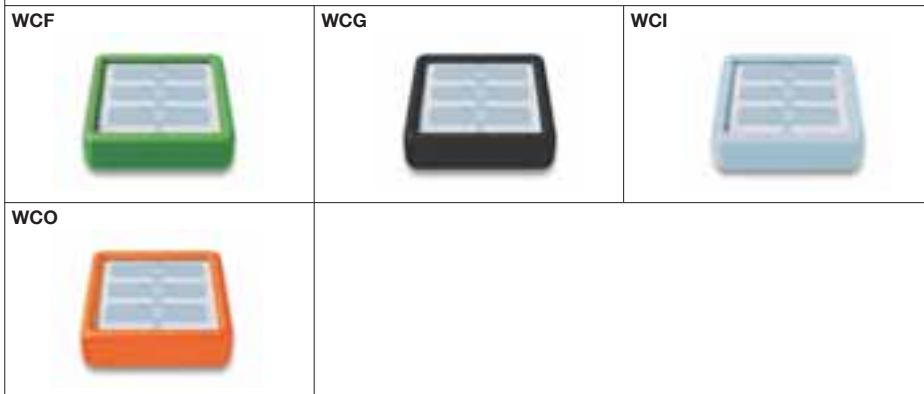
**NiceWay
Mini cover.**

Go Nice!

Snugly in the pocket!
Every NiceWay transmitter really becomes portable with the Go support: the maximum performance to manage up to 240 channels from anywhere and with the maximum compactness.

Made of shock-proof rubber, in different and exclusive colours, Go protects the module from the most severe of knocks.

Go can be hung anywhere and can also be used as a key-ring thanks to the tie that is included in the pack.



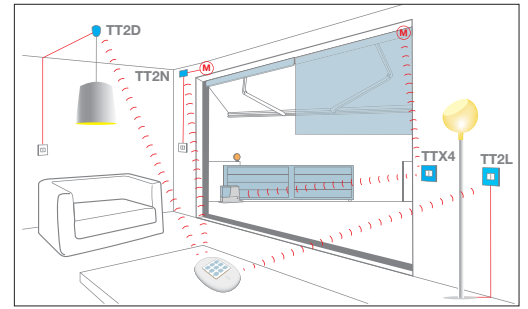
Code	Description	Pc/Pack	Price €
WCF	Mini cover, fern green	10	4,80
WCG	Mini cover, graphite	10	4,80
WCI	Mini cover, Ice Blue	10	4,80
WCO	Mini cover, orange	10	4,80

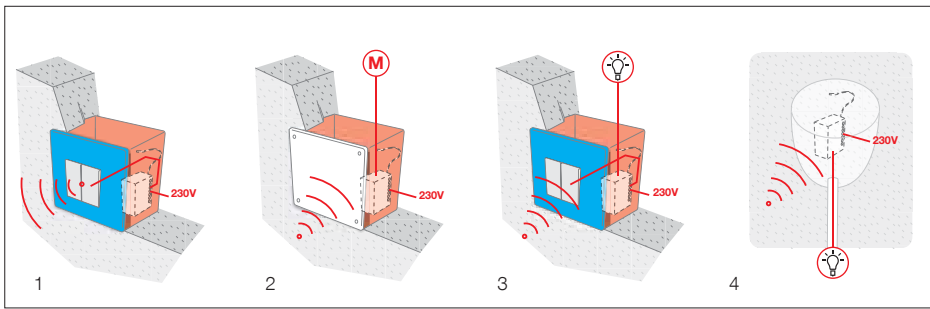
Nice Tag system

Ideal for restorations and upgrades of existing systems.

The Tag system, disappearing inside standard wall mounted plates and suitable to confined spaces, are ideal for restorations and upgrades of existing systems to control home automations, lighting points and all loads up to 500 W not directly accessible from cable controls.

All without the need to replace the existing system or involve building work!





- 1. TTX4: recessed transmitter with mains power supply. Ideal for the control of automations not directly accessible from cable controls.
- 2. TT2N: miniaturised control unit for control of a 230 Vac motor up to 500 W, with built-in radio receiver.
- 3. TT2L: miniaturised control unit for control of lighting systems, with built-in radio receiver.
- 4. TT2D: miniaturised control unit for control of lighting systems from multiple points, with built-in radio receiver and switch.

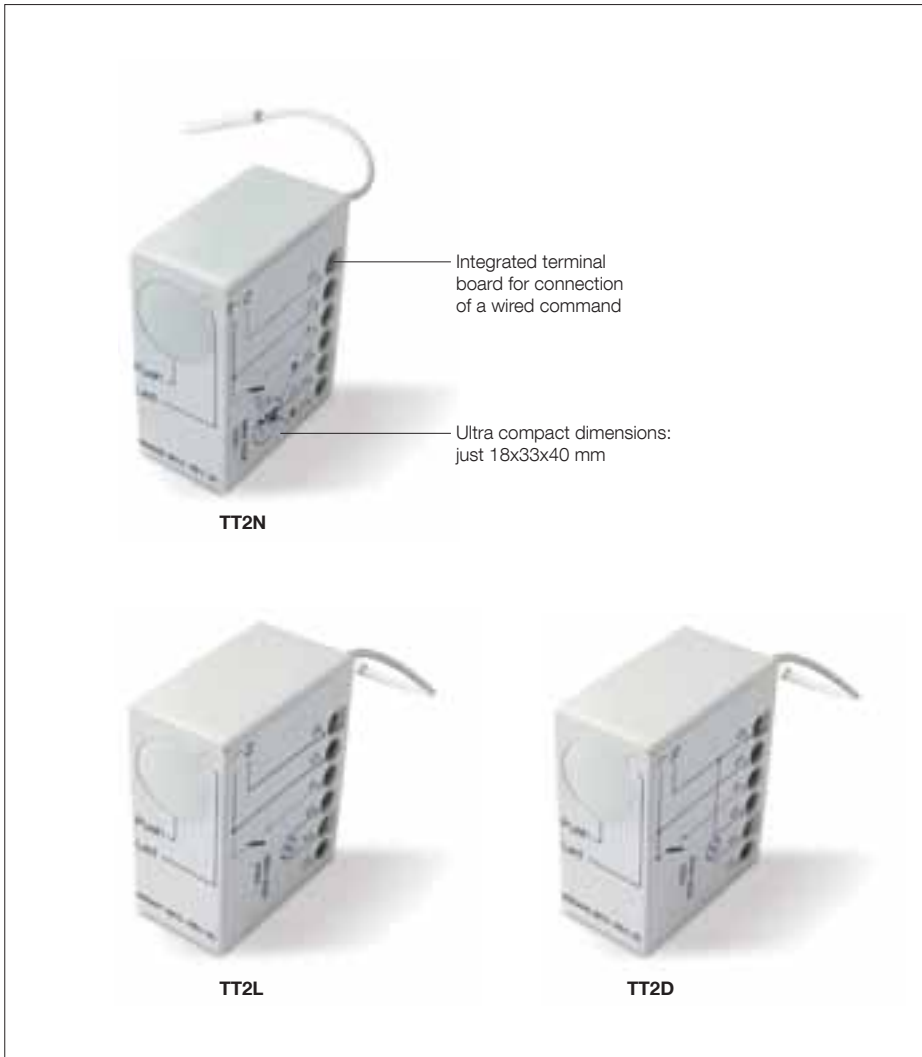


TTX4, recessed transmitter with mains power supply.
 Ideal for the control of automations not directly accessible from cable controls.
 4-channel transmitter, compatible with the Nice transmitters in the series NiceWay, Flor-s and VeryVR.
 Mains power supply and with optional connection of up to 4 pushbuttons for control via cable of automations.

Code	Description	Pc/Pack	Price €
TTX4	Recessed transmitter, 4 channels, with mains power	1	106,00

Technical specifications

Carrier frequency	: 433.92 MHz ± 100 KHz
Estimated range	: 35 m indoors
Coding	: 52 bit digital (4,5 million billion combinations)
Power supply	: 120 or 230 Vac, 50/60 Hz; (limits 100 ÷ 255 V)
Protection rating (IP)	: 20
Working temp. (°C Min/Max)	: -20° ÷ +55°
Dimensions (mm)	: 18x33x40 h



Mindy TT miniaturised control units, totally compatible with the Nice transmitters in the series NiceWay, Flo, Very, Planotime, FloR and Smilo.

Maximum flexibility: can memorise up to 30 transmitters in Mode I and Mode II.

Fast programming thanks to the programming button. An indicator Led helps the user to follow the correct programming procedure, for example signalling when the set thresholds of the climatic sensor are exceeded.

Possibility of connection to climatic sensors Nemo and Volo S-Radio.

IP20 protection level.

TT2N, control unit for 230 Vac motor up to 500 W, with built-in radio receiver.

Possibility of connecting a pushbutton for cable control in mode STEP-BY-STEP - ALWAYS UP - ALWAYS DOWN.

Possibility of memorizing radio controls in Mode I: UP - STOP - DOWN - "HOLD-TO-RUN" DOWN
Mode II: STEP-BY-STEP - UP STOP - DOWN STOP - STOP - "HOLD-TO-RUN" DOWN - "HOLD-TO-RUN" UP.

TT2L, control unit for lighting systems, with built-in radio receiver.

For the control of 230 Vac mains voltage loads with power up to 1000 W / 500 VA.

Simplified connections thanks to the switch connected directly to the power mains (not for TT2D).

Possibility of connecting a switch for cable control in ON/OFF mode.

Possibility of memorizing radio controls in Mode I: ON - OFF
Mode II: ON/OFF - HOLD TO RUN - TIMER1 - TIMER2.

Connection to climatic sensor Volo S-Radio enables management of light activation and shutdown by means of the "Sun" sensor.

Programmable timer from a minimum of 0.5" to a maximum of approx. 9 hours; optimised programming procedure, maintaining set values also in the event of a power failure.

TT2D, control unit for lighting systems from multiple points, with built-in radio receiver and switch.

Same characteristics as TT2L.

Code	Description	Pc/Pack	Price €
TT2N	Control unit for 230 Vac motor with built-in radio receiver	1	94,50
TT2L	Control unit for management of 230 Vac lighting systems, with built-in radio receiver	1	105,00
TT2D	Control unit for management of 230 Vac lighting systems, with built-in radio receiver and switching module	1	110,50

Technical specifications

Code	TT2N	TT2D	TT2L
Power supply (Vac/Hz)	120 o 230 Vac, 50/60 Hz, limits: 100÷255 Vac		
Frequency (MHz)	433.92		
For transmitters in the series	NiceWay, Flor-s, Flo, VeryVE, VeryVR, Smilo		
Maximum motor power	500VA for Vn = 230V, 600VA for Vn = 120V	1000W/500VA for Vn = 230V, 600W/600VA for Vn = 120V	
Protection rating (IP)	20		
Manoeuvre duration (sec)	4÷240 s (factory setting approx. 150 s)	1 s÷9 h (factory setting TIMER1=1 min, TIMER2=10 min)	
Working temp. (°C Min/Max)	-20 ÷ +55		
Dimensions (mm)	40x18x32		
Weight (gr)	20		



Mindy TT1 miniaturised control units with pass-through installation, IP55 protection,

With radio-controls 433.92 MHz receiver with over 4.5 million billion combinations.

Self-recognition of the transmitters of the NiceWay, Flo, Very, Planotime, FloR and Smilo series.

TT1N for awnings and rolling-shutters.

For motors max. 500 W.

Total flexibility of motor control with 2 transmitter memorisation modes

Mode I: UP - STOP - DOWN

Mode II: STEP-BY-STEP - ASCENT ONLY - DESCENT ONLY - STOP.

Memorizes up to 30 transmitters.

Internal terminal board for connection.

Manages the new climatic sensors Nemo and Volo S-Radio for synchronised controls.

The work time can be programmed from a minimum of 4" to a maximum of 4'.

TT1L for lighting systems, irrigation pumps, etc...

For controlling loads with a mains voltage of 230 Vac and power max 500 W.

Memorizes up to 30 transmitters.

Internal terminal board for connection.

Manages up to 2 timers for automatic switch off.

Maximum control versatility with 2 transmitter memorisation modes

Mode I: ON - OFF with separate buttons

Mode II: ON - OFF - MAN PRESENT - TIMER.

Timer can be programmed from a minimum of 0.5" to a maximum of approximately 9'.

Code	Description	Pc/Pack	Price €
TT1N	Control unit for pass through installations for one 230 Vac motor up to 500 W, with built-in radio-controlled receiver. 2 programming modes and programmable working time	1	89,50
TT1L	Control unit for pass through installations for lighting/irrigation systems, 230 Vac max. 500 W, with built-in radio receiver. 2 programming modes and 2 timers for automatic switch off	1	99,00

Technical specifications

Code	TT1N	TT1L
Power supply (Vac/Hz)	230/50	
Frequency (MHz)	433.92	
For transmitters in the series	NiceWay, Flor-s, Flo, VeryVE, VeryVR, Smilo	
Maximum motor power	500 W / 400 VA	
Protection rating (IP)	55	
Manoeuvre duration (sec)	prog. 4-250	TIMER1 TIMER2 from 0.5" a 540'
Working temp. (°C Min/Max)	-20 ÷ +55	
Dimensions (mm)	98x26x20	
Weight (gr)	45	



Radio-controls with 4.5 million billion combinations.

433.92 MHz rolling code system with self-learning function and sequential code for multiple insertion (Flor-sc).

Ideal solution for the management of multi-use systems with a unique and personal code: the self-learning receivers are able to receive and store up to 1020 codes.

Using the BUPC palm-top device, the **Flor-sc model** makes it possible to memorise entire packs in one operation, without even having to open them.

Rolling code transmission: **absolutely secure** because it's impossible to clone the transmitter.

Self-learning function: the codes can be entered at a distance with an authorised transmitter or with a programming button on the receiver while a Led displays the different functions.

A drop in consumption but greater independence. Low battery warning via Leds.

The Flor-s system includes:

Transmitters with 1, 2, 4 channels.

Universal **receivers** with 1 or 2 channels, universal modular, plug-in or for universal outdoors IP53, with step-by-step, timer and anti-burglar functions.

The **aerial** can be incorporated in the Lucy flashing light or in the outdoor IP53 receiver, or fixed with a bracket.

Code	Description	Pc/Pack	Price €
FLO1R-S	1 channel	10	31,20
FLO2R-S	2 channels	10	32,90
FLO4R-S	4 channels	10	37,00
FLO1R-SC	1 channel with sequential code for multiple insertion	10	33,60
FLO2R-SC	2 channels with sequential code for multiple insertion	10	35,10
FLO4R-SC	4 channels with sequential code for multiple insertion	10	39,20

Technical specifications

Carrier frequency	: 433.92 MHz ±100 KHz
Estimated range	: 150 - 200 m with a tuned aerial in a free area
Coding	: digital 52 bit (4.5 million billion combinations)
Power supply	: 12 Vdc + 20% - 40% with 23 A battery
Average absorption (mA)	: 25
Dimensions (mm)	: 72x40x15 h



Bimodal radio control unit with incorporated transponder, 4.5 million billion combinations.

433.92 MHz rolling-code system with recognition and sequential code for multiple insertion.

The Flor-m transmitters transponders offer new options for controlling entries, by uniting several commands in a single product. Available in the 2 and 4 channel versions, the features of these models are identical to those of the Flor-sc transmitters and **programmable and reprogrammable Mocardp: a Nice exclusive.**

The BUPC software makes it possible to memorise entire 100 piece packs in one operation, without even having to open them!

Flor-m can be connected to MOU palm-top for an easy management of the on-site codes or via PC; **Flor-m is recognised by both FloR receivers and MyMoon transponder readers.**

Code	Description	Pc/Pack	Price €
FLO2R-M	2 channels sequential code for multiple insertion and incorporated transponder technology	10	47,30
FLO4R-M	4 channels sequential code for multiple insertion and incorporated transponder technology	10	53,00

Technical specifications

Carrier frequency	: 433.92 MHz ±100 KHz
Estimated range	: 150 - 200 m with a tuned aerial in a free area
Anti-crushing distance (cm)	: 3 ÷ 5
Coding	: 52 bit digital (4.5 million billion combinations)
Power supply	: 12 Vdc + 20% - 40% with 23 A battery
Average absorption (mA)	: 25
Dimensions (mm)	: 72x40x15 h

** The price refers to the individual code and not to the pack.



Miniaturised radio control
4.5 million billion combinations,
 433.92 MHz rolling code system
 with self-learning function.

A single key for controlling the automation.
 Easy replacement of lithium batteries.

Advanced and refined design,
 created to be the ideal transmitter
 for your car or handbag (a handy support
 for fixing Very inside your car is also supplied).

Small and slender: can be kept in your
 handbag or used as an elegant key ring.

Lithium battery: 3 year battery life.

The system can be interfaced
with the BUPC palm-top device
 for an easy management of the on-site
 codes or via PC.

Code	Description	Pc/Pack	Price €
VR	2 channels	10	37,00

Technical specifications

Carrier frequency	: 433.92 MHz ±100 KHz
Estimated range	: 150 - 200 m with tuned aerial in free space
Coding	: 52 digital bits (4.5 million billion combinations)
Power supply	: 6 Vdc with 2 lithium battery CR2016
Average absorption (mA)	: 10
Dimensions (mm)	: 65x30x10 h



Radio-controlled week programmable timer to manage up to 6 automation units for 100 events / week.

Ultra-thin and easy to install, thanks to the fully recessed wall support. Ergonomic design user-friendly feature large energy-saving LCD display showing date, time, groups, movement, status and functions.

Frequencies 433.92 MHz, 52 bit Rolling Code generates over 4.5 million of billion combinations; self-learning function.

Designed to dialogue with the **FloR** systems, it enables users to manage other kinds of automatisms (on condition that they are controlled by receivers from the FloR series) such as gates, garages and so on.

Estimated range: 200 m outdoors, 25 m indoors.

Exclusive functions:

- **“random”**, enables the user to set casual opening and closing times within a preset period of time, in order to pretend someone is at home when s/he is actually away on holiday;
- **“nicetime”** enables the user to interrupt the automatic cycle to clean the window;
- **sun On/Off** this enables to activate or deactivate the sun and rain sensor linked if installed;
- **easy program:** it makes programming the opening and closing manoeuvres child's play.
Once automatic operation has been set, Planotime will record all the manoeuvres made during the week, and repeat them during the following weeks.

Code	Description	Pc/Pack	Price €
PLANOTIME	Wall-mounted radio-control timer with LCD graphic display. Can manage up to 6 automation units and 100 events / week. Designed to dialogue with the FloR series receivers	1	139,00

Technical specifications

Power supply (battery life)	: 3 V with 1 lithium battery CR2450 (2 years with 10 events/day)
Frequency	: 433.92 MHz ± 100 KHz
Radiated power	: estimated at approx. 1 mW
Estimated range	: 25 m in interiors, 200 m in free space
Coding	: 52 Bit 4.5 million billion combinations
Clock resolution	: 1 minute
Clock precision	: ± 150 second/year
No. events/week	: 100
Operating temp. (°C Min. Max.)	: -20 ÷ +55
Dimensions (mm)	: 80x80x12 h
Weight (g)	: 75

Universal receivers with 1 or 2 channels, **universal modular**, Nice or SM (SMXI) **plug-in** connector **or for universal outdoors IP53**, with step-by-step, timer and anti-burglar functions.

The FloR and VeryVR systems can be interfaced with the BUPC and SMU palm-top devices for an easy programming and management of the codes.

Management of multi-user system through the unique, personal code: the recognition receivers can receive and memorise up to 63 codes with BM250, 255 with BM1000 and 1020 when the modular receiver is equipped with 4 memory cards.

Memorisation: a particular receiver output can be associated to each transmitter key (e.g. key 3 TX= output 1 RX).

The aerial can be incorporated in the Lucy flashing light or in the universal outdoor IP53 receiver, or fixed with a bracket.



Receivers

Universal

Code	Description	Pc/Pack	Price €
FLOX1R	1 channel with BM250 memory	1	90,00
FLOX2R	2 channels with BM250 memory	1	97,50

Universal IP53 for outdoors

Code	Description	Pc/Pack	Price €
FLOXB2R	2 channels with BM250 memory for ABKIT	1	101,50

With Nice plug-in

Code	Description	Pc/Pack	Price €
FLOXIR	1 channel with BM250 memory	1	86,50
FLOXI2R	2 channels with BM250 memory	1	95,00

With SM plug-in

Code	Description	Pc/Pack	Price €
SMXI	Up to 4 channels with 256-codes memory	1	45,00

Universal SM pre-wired

Code	Description	Pc/Pack	Price €
SMX2R	2 channels with 256-codes memory, pre-wired	1	97,50

Universal modular

Code	Description	Pc/Pack	Price €
FLOXMR	4 channels with an MXD channel module and BM1000 memory, 24 V	1	132,00
FLOXM220R	4 channels with an MXD channel module and BM1000 memory, 230 Vac	1	149,00

Technical specifications

	Carrier frequency (MHz)	Reception frequency (Ohm)	Sensitivity	Power supply	Absor. when quiescent	Decoding	Number of channels	Relay contact	Dimensions (mm)
FLOX1R	433.92 SAW controlled	52	> 0.5 μ V for a good signal	from 12 to 28 Vac - dc	15 mA	52 digital bits (4.5 million billion comb.)	1	normally open max. 0.5 A 50 Vac	98x41x25 h
FLOX2R							2		105x68x32 h
FLOXB2R							1		67x34x18 h
FLOXIR							2		
FLOXI2R							up to 4		118x54x148 h
FLOXMR									
FLOXM220R									
SMXI	433.92 quartz controlled	52	> 0.5 μ V for a good signal	230 Vac \pm 10%	2 VA		4	-	50x18x46 h
SMX2R				5 Vdc	-		2		normally open max. 0.5 A 50 Vac

Accessories

Memory card

Code	Description	Pc/Pack	Price €
BM250	63 codes memory for FloR and VeryVR receivers	5	153,50*
BM1000	255 codes memory for FloR and VeryVR receivers	5	178,50*

Channel units for the modular receivers in all series

Code	Description	Pc/Pack	Price €
MXD	Impulsive	4	54,00*
MXP	Step-by-step	2	62,50*
MXT	Adjustable timer from 3 seconds to 5 minutes	2	39,60*

Professional, tuned directional aerial

Code	Description	Pc/Pack	Price €
ABF	Bracket mounted	1	24,60
ABFKIT	Can be incorporated in the FLOXB2R receivers and in Lucy flashing light	1	20,10

Batteries

Code	Description	Pc/Pack	Price €
B3V	3 V lithium battery for VR transmitter	20	49,40*
B12V-A	12 V alkaline battery for FLO1R-S/SC, FLO2R-S/SC/M and FLO4R-S/SC/M	50	124,00*
B3VB	3 V lithium battery for Planotime	25	116,00*

Programming unit

Code	Description	Pc/Pack	Price €
BUPC	Programming and code control unit for the FloR, VeryVR, Bio series complete with PC connecting cable, communication software, connectors for cloning transmitters and advanced code management functions	1	614,50
MOU	Programming and code control unit for MORX decoder; complete with PC connecting cable, communication software and advanced code management functions	1	614,50

Technical specifications

	Reception frequency (MHz)	Impedance (Ohm)	Bracket	Cablec
ABF	433.92	50	stainless steel	RG 58
ABFKIT			-	-
	Power supply	Communication	Consumption (mA)	Dimensions (mm)
BUPC	9 V internal battery inside 12 Vdc external source	interface RS232 standard, 9600Bps N,8 1	10	210x100x25 h
MOU				



433.92 MHz rolling code radio-controlled system with self-learning function.

18 billion billion combinations. Universal pre-wired receivers for easy and rapid installation.

Maximum safety, ease of use and installation.

- The system includes:**
- transmitters** 2 or 4 channels (SM2, SM4);
- universal pre-wired receiver** with 2 channels (SMX2) or with plug-in (SMXIS);
- variable rolling code transmission code:** absolutely secure because it's absolutely impossible to clone the transmitter!
- Self-learning function;**
- the codes can be entered at a distance with an authorised transmitter** or with a programming button on the receiver while a Led displays the different functions;
- Memorisation:** a particular receiver output can be associated to each transmitter key (e.g. key 3 TX= output 1 RX).

Code	Description	Pc/Pack	Price €
SM2	2 channels	2	70,00*
SM4	4 channels	2	79,50*

Technical specifications

Carrier frequency	: 433.92 MHz ±100 KHz
Estimated range	: 150 - 200 m with aerial tuned in free space
Coding	: 64 digital bits (18 billion billion combinations)
Power supply	: 12 Vdc + 20% - 40% with battery 23 A
Average absorption (mA)	: 25
Dimensions (mm)	: Ø 48x14 h



Receivers

Universal pre-wired

Code	Description	Pc/Pack	Price €
SMX2	Pre-wired 2 channels with 256 codes memory	1	89,50

With SM plug-in

SMXIS	Up to 4 channels with 256 codes memory	1	45,00
--------------	--	---	--------------



Accessories

Professional, tuned directional aerial

Code	Description	Pc/Pack	Price €
ABF	Bracket mounted	1	24,60
ABFKIT	Can be incorporated in Lucy flashing light	1	20,10



Batteries

Code	Description	Pc/Pack	Price €
B12V-A	12 V alkaline battery for SM2, SM4 transmitters	50	124,00*



Technical specifications

	Carrier frequency (MHz)	Reception frequency (Ohm)	Sensitivity	Power supply	Absor. when quiescent (mA)	Decoding	Number of channels	Relay contact	Dimensions (mm)
SMX2	433.92 quartz controlled	52	> 0.5 μ V for a good signal	from 12 to 28 Vac - dc	10	64 digital bits (18 billion billion comb.)	2	normally open max. 0.5 A-50 Vac	86x57x22 h
SMXIS				5 Vdc			up to 4	-	50x18x46 h

	Reception frequency (MHz)	Impedance (Ohm)	Bracket	Cable
ABF	433.92	50	stainless steel	RG 58
ABFKIT			-	-



Flo, 433.92 MHz radio-controlled system with programmable code 1024 dip switch combinations.

Flo differs from FloR as it is produced in the classical Nice blue.

The system includes:

Transmitters with 1, 2, 4 channels (FLO1, FLO2, FLO4);

Universal **receivers** with 1 or 2 channels, universal modular, Nice plug-in connector or for universal outdoors IP53;

The aerial can be incorporated in the Lucy flashing light or in the universal outdoor IP53 receiver, or fixed with a bracket.

VeryVE, 433.92 MHz radio-controlled system with programmable code, 2 channels, 1024 combinations.

2 channel version, designed to dialogue with the Flo series, and consequently the CVU programming system.

VeryVE differs from the VR series as it is produced in the classical Nice blue. Dip-switch programmable by radio control buttons.

Smart, fully-developed design, created specially to be the ideal transmitter for your car or handbag.

A **handy support** for fixing Very inside your car is also supplied.

Small, slender: can be kept in your handbag or used as an elegant key ring.

The lithium battery is easy to replace: 3 year battery life.



Code	Description	Pc/Pack	Price €
FLO1	1 channel	10	33,30
FLO2	2 channels	10	35,00
FLO4	4 channels	10	39,40
VE	2 channels	10	37,00

Technical specifications	Flo	VeryVE
Carrier frequency	: 433.92 MHz ±100 KHz	: 433.92 MHz ±100 KHz
Estimated range	: 100 - 150 m with aerial tuned in free space	: 100 - 150 m with aerial tuned in free space
Coding	: digital (1.024 combinations)	: digital (1.024 combinations)
Power supply	: 12 Vdc + 20% - 40% with 23 A battery	: 6 Vdc with lithium battery
Average absorption (mA)	: 15	: 10
Dimensions (mm)	: 72x40x15 h	: 65x30x10 h

Universal receivers with 1 or 2 channels, **universal modular**, **Nice plug-in** connector or **universal for outdoors IP53**.

The aerial can be incorporated in the Lucy flashing light or in the universal outdoor IP53 receiver, or fixed with a bracket.



Receivers

Universal

Code	Description	Pc/Pack	Price €
FLOX1	1 channel	1	70,00
FLOX2	2 channels	1	78,50

Universal IP53 for outdoors

Code	Description	Pc/Pack	Price €
FLOXB2	2 channels for ABFKIT	1	82,50

With Nice plug-in

Code	Description	Pc/Pack	Price €
FLOXI	1 channel	1	66,50
FLOXI2	2 channels	1	74,50

Universal modular

Code	Description	Pc/Pack	Price €
FLOXM	4 channels with an MXD channel module, 24 V	1	101,50
FLOXM220	4 channels with an MXD channel module, 230 Vac	1	119,00

Accessories

Channel units for the modular receivers in all series

Code	Description	Pc/Pack	Price €
MXD	Impulsive	4	54,00*
MXP	Step-by-Step	2	62,50*
MXT	Adjustable timer from 3 seconds to 5 minutes	2	39,60*

Professional, tuned directional aerial

Code	Description	Pc/Pack	Price €
ABF	Bracket mounted	1	24,60
ABFKIT	Can be incorporated in the FLOXB2 receivers and in Lucy flashing light	1	20,10

Batteries

Code	Description	Pc/Pack	Price €
B3V	3 V lithium battery for VeryVE transmitter	20	49,40*
B12V-A	12 V alkaline battery for FLO1, FLO2 and FLO4	50	124,00*

Technical specifications

	Carrier frequency (MHz)	Reception frequency (Ohm)	Sensitivity	Power supply	Absor. when quiescent	Decoding	Number of channels	Relay contact	Dimensions (mm)
FLOX1	433.92 MHz SAW controlled	52	> 0.5 µV for a good signal	from 12 to 28 Vac-dc	15 mA	Digital (1.024 comb.)	1	normally open max. 0.5 A-50 Vac	98x41x25 h
FLOX2							2		105x68x32 h
FLOXB2							1		67x34x18 h
FLOXI							2		
FLOXI2							up to 4		
FLOXM									
FLOXM220	230 Vac ± 10%	2 VA			118x54x148 h				
	Carrier frequency (MHz)	Impedance (Ohm)	Bracket	Cable					
ABF	433.92	50	stainless steel	RG 58					
ABFKIT			-	-					

* The price refers to the sale pack.

Accessories

- 4|11 The Nice World
- 12|65 Systems for swing gates
- 66|85 Systems for sliding gates
- 86|109 Barrier gate operator systems
- 110|137 Systems for garage and industrial doors
- 138|179 Control systems
- 180|205 Accessories**
- 206|225 Control units
- 226|229 Product code alphabetical index



Solar power system 186|187 Solemyo

Photocells and safety devices 188|189 Even safer automation
190|191 FT210
192|193 F210

System of photocells, key-operated and digital selector switches, transponder readers and controlling entries 194 MoonBus
195 Moon
196 MoonTouchBus
197 MoonTouch
198 MyMoonBus
199 MyMoon
200 MoonKey
201 Moon Accessories

Flashing light 202 MoonLight
203 Wallyght

Selector 204 Kio

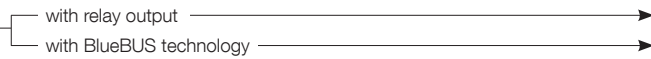
Programming unit 152|153 O-Box
205 BUPC, MOU

Nice Selection guide

Follow the arrow and choose the right product

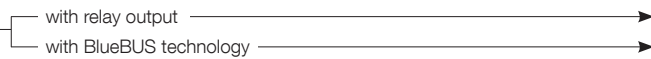
Photocells and safety devices

Synchronised photocells adjustable
F210
pages 190/191



F210
F210B

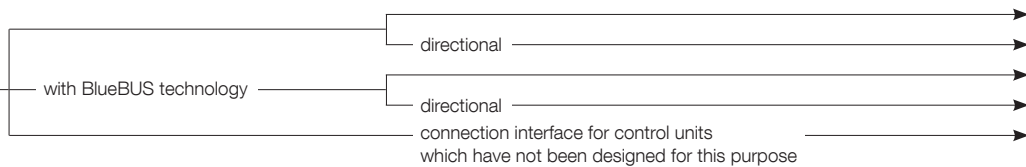
Optical safety devices
with wireless transmitter
to secure on moveable leaf
FT210
pages 192/193



FT210
FT210B

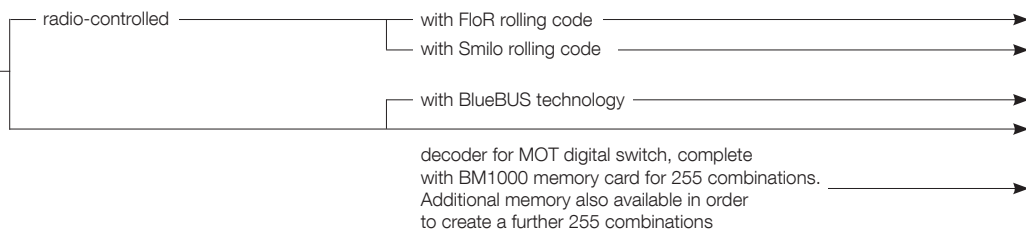
Coordinated system of photocells, key-operated and digital selector switches, transponder readers and controlling entries

Synchronised photocells for outdoors
pages 194/195



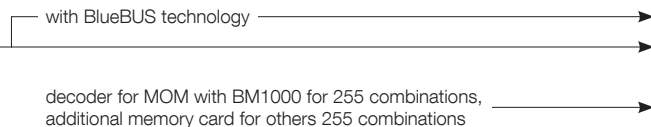
MOF
MOFO
MOFB
MOFOB
IB

Digital switches
12 buttons for outdoor
installation
pages 196/197



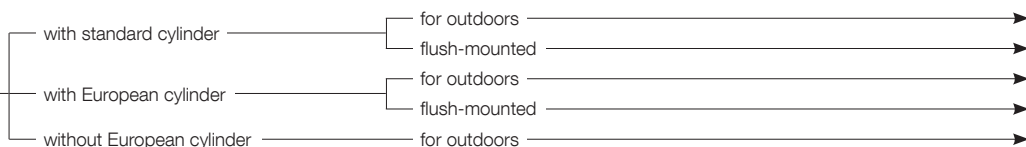
MOTXR
MOTXS
MOTB
MOT
MORX

Proximity sensor reader for transponder card
pages 198/199



MOMB
MOM
MORX

Key switches
page 200



MOSE
MOSI
MOSEU
MOSIU
MOSU

F210

FT210



Moon & MoonBus



MoonTouch
& MoonTouchBus



MyMoon
& MyMoonBus



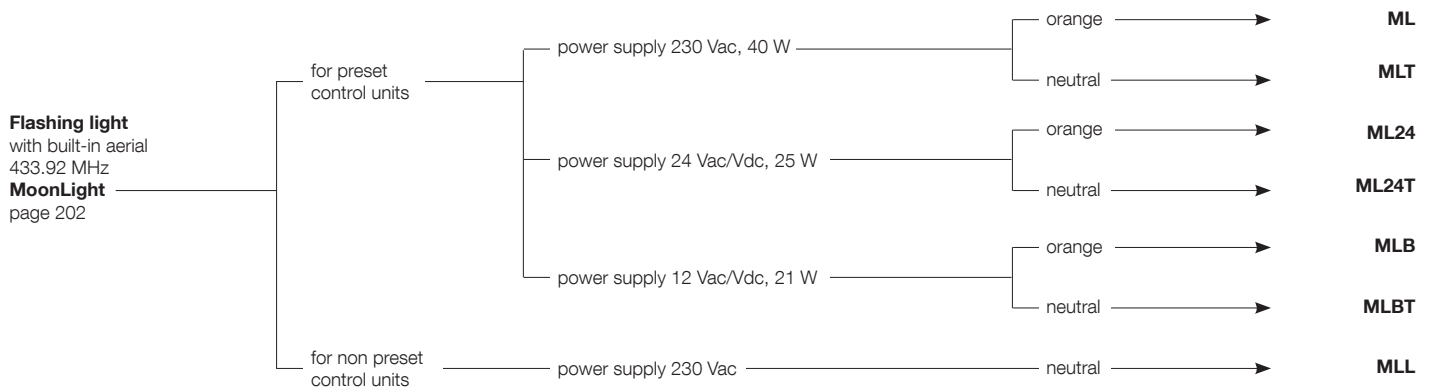
MoonKey



Nice Selection guide

Follow the arrow and choose the right product

Flashing light



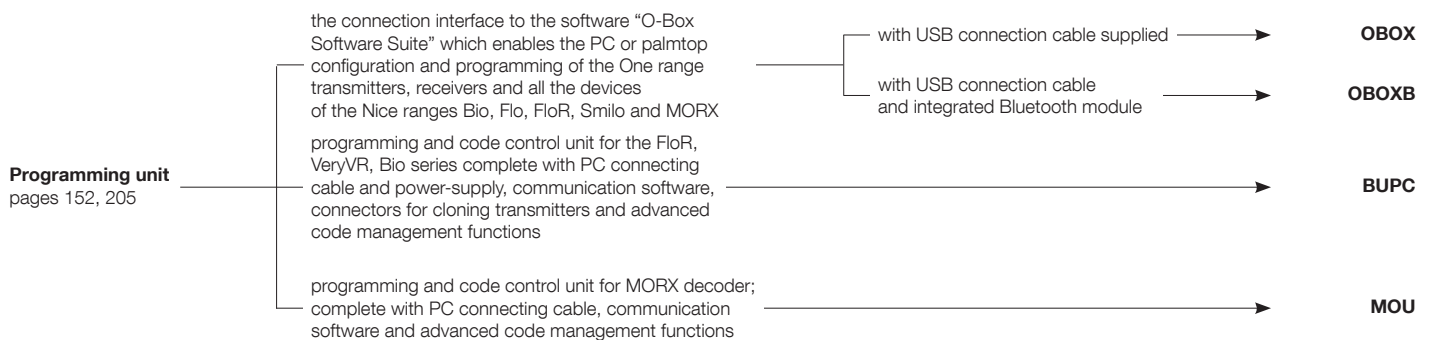
Multi-function Led indicator



Key-operated selector switch



Programming unit



MoonLight



Wallyght



Kio



O-Box



BUPC

MOU



SYKCE



The kit contains:

SYP Photovoltaic solar panel for 24 V power supply.
PSY24 24 V battery box with control circuit and carry handle.

Solemyo is the solar power system for automation systems used on gates, garage doors and road barriers also when located far from the electrical mains.

Simple and rapid installation with guaranteed savings and reliable operation.

Installable anywhere without the need for connections or excavations, even in the most remote locations or those difficult to access with the power mains.

Increased savings and respect for the environment thanks to solar energy, free and clean: an ecological and intelligent choice with short term benefits.

Low consumption with no risk of blackouts: extended duration of energy reserve, combined with low consumption of automations, guarantee operation also in prolonged overcast conditions.

Low consumption with operating autonomy! Perfect operation ensured even at night time or in prolonged overcast conditions, guaranteeing comfort and safety.

Solemyo is available in kit form or sold as single products.

The kit contains the SYP photovoltaic panel that converts sunlight into electricity and the **PSY24 battery box**, storing the electrical energy produced by the SYP panel, with continuous and permanent supply throughout the day.

The SYA1 auxiliary power supply unit enables rapid battery charging via a 230 Vac power mains, as an alternative to the photovoltaic module. Battery charge status Led indicators.

The purchase of single product codes in the Solemyo system is particularly useful when installing two or more solar panels, thus increasing the capacity for system recharging, or using multiple battery packs in combination with the SYA1 power supply unit.

Code	Description	Pack/pallet	Price €
SYKCE	Solar power kit comprising SYP photovoltaic panel and PSY24 battery box with charging control circuit	21	558,00
SYP	Photovoltaic panel for 24 V supply with maximum power 15 W		211,50
NEW SYP30	Photovoltaic panel for 24 V supply with maximum power 30 W		295,00
PSY24	24 V battery box with control circuit and carry handle		360,00

N.B. The content of the package may vary: consult the retailer.

Technical specifications

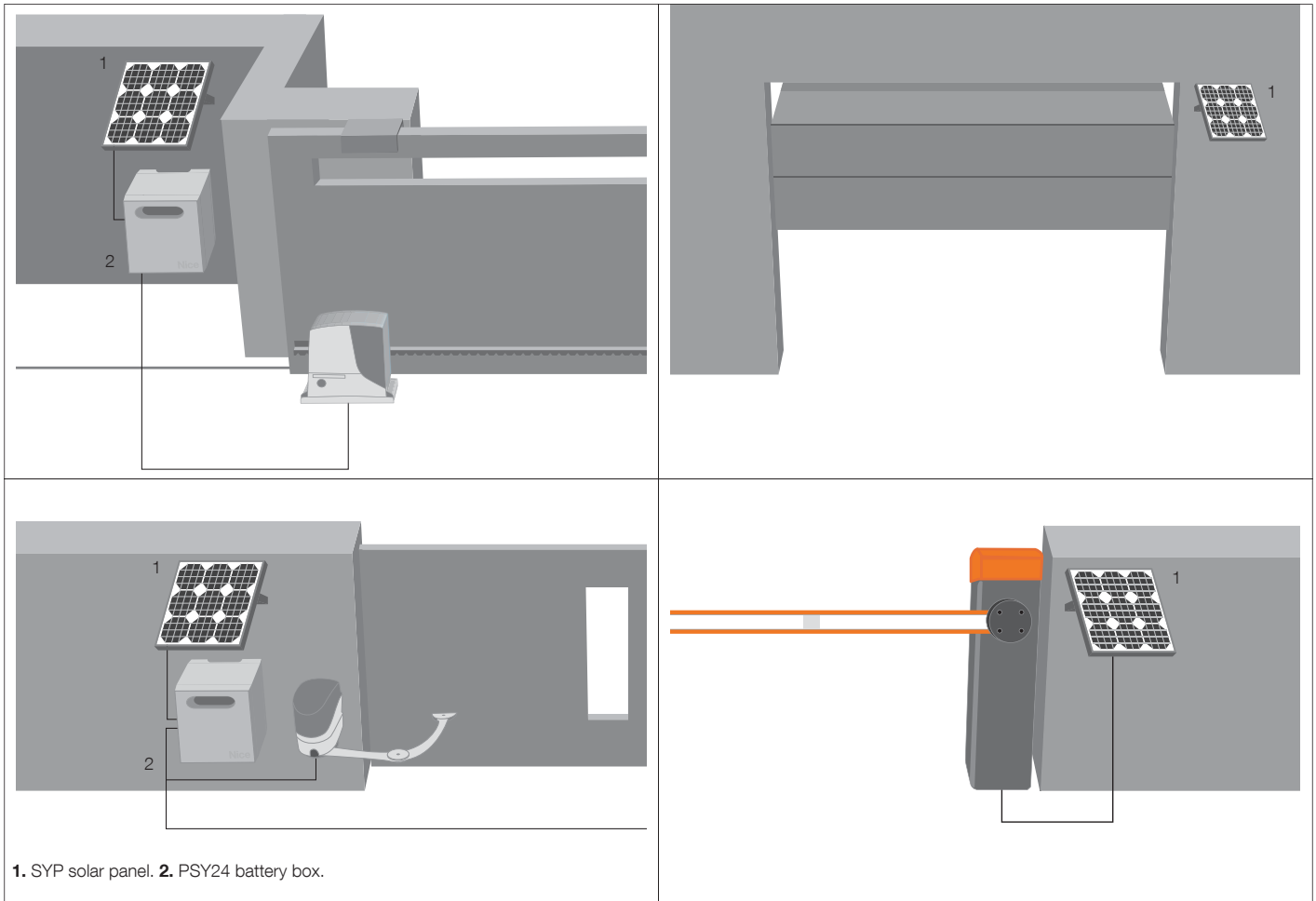
Code	PSY24	SYP30	SYP	SYA1
Power supply (Vac 50/60 Hz)		-		110 ÷ 240
Rated voltage (V)		24		-
Maximum current (A)	10		-	
Peak power (Wp)	-	30	15	-
Maximum power (W)		-		60
Rated battery capacity (Ah)	20		-	
Protection level (IP)	44		-	
Working temp. (°C Min/Max)	-20 ÷ +50*		-40 ÷ +85	0 ÷ +40
Complete recharging time (hours)	~ 15**		-	
Dimensions (mm)	235x170x258 h	450x25x550 h	390x28x415 h	132x58x30 h
Weight (kg)	14	3.5	1.9	0.345

* 0 ÷ 40 if recharged from the power mains with SYA1 power supply unit.
 ** Using the power supply unit via the mains.

Flexible: Solemyo adapts perfectly to all types of installation.



* The price refers to the sale pack. Nice recommends customers order products in pallets in order to facilitate storage and delivery, and ensure packs are uniform. The number of packs per single pallet has been specified for this reason. Approximate draft.

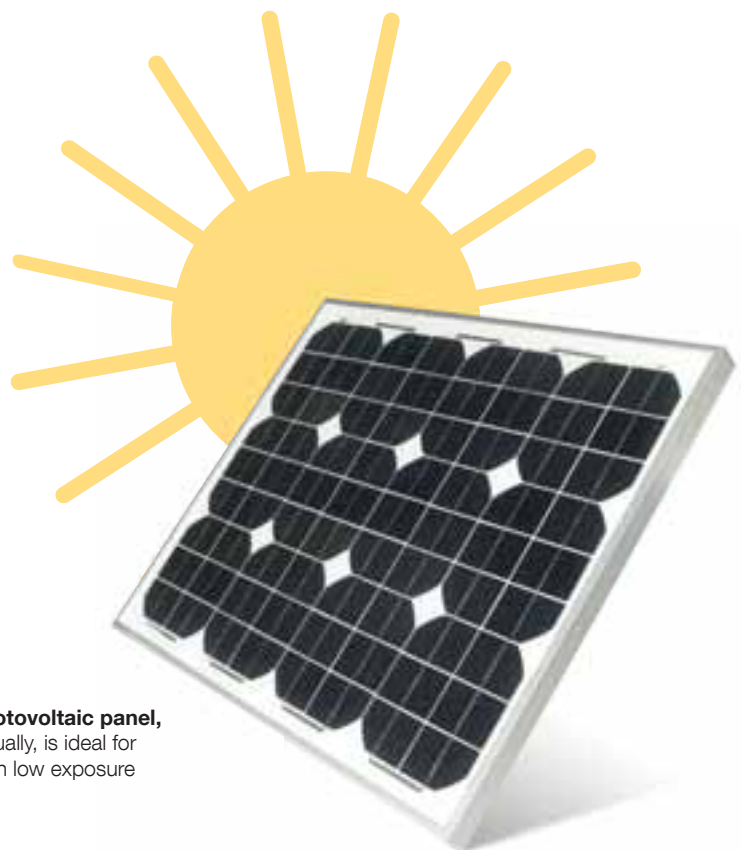


Accessories



SYA1
Power supply unit for charging the battery PSY24 from the supply mains.

Pc/pack 1
€ 107,00



The SYP30 photovoltaic panel, available individually, is ideal for all situations with low exposure to the sun.

Nice Even safer automation

8.2 KOhm resistive sensitive edges, maximum safety and control of the automation.

Safer: if there are any faults in the system like, for example, the product itself has broken down, the edges will communicate this to the control unit. The TCE interface board enables users to connect sensitive edges (with 8.2 KOhm resistance) to those control units which are not equipped with a special input.

The length can be personalised: the components supplied in the kits enable installers to build sensitive edges of the correct dimension.

Practical: they adapt to any kind of situation and can be installed quickly.

Reliable: the new Class3 technology means that the control unit, the sensitive edges are connected to, can understand if the device is functioning correctly, or if it is out of use.

8.2 KOhm analogical-type input.



Resistive sensitive edges and accessories

Code	Description	Pack	Price €
TCB65	Sensitive edge in 10 m rolls	1	606,50
TCK	Kit putting together 8 sensitive edges complete with:		544,50
	- Terminal caps (TCT65)	16	
	- Connectors, complete with cable L=250 cm (TCS250)	8	
	- Connectors 8.2 KOhm (TCER)	8	
	- Tin of glue (TCC)	1	
	- Tin of primer (TCP)	1	
TCF	Scissors for cutting safety sensitive edges	1	202,50
TCA65	Aluminium profile L=200 cm	5	53,50*
TCE	Control interface for sensitive edge	1	69,50

Electrical connection devices for safety sensitive edges on moveable leaves

Code	Description	Pack	Price €
DBM5	Complete kit for gates up to 5 m	1	343,00
DBM7,5	Complete kit for gates up to 7.5 m	1	445,50
DBM10	Complete kit for gates up to 10 m	1	549,00

Instruments and software for force impact measurement

Code	Description	Price €
NSFB	BlueForce instrument for measuring the impact force compliant with EN12445, with Bluetooth/USB interface and Software included, complete with carry case	3.193,00
NSFS	SpeedForce instrument for measuring the impact force compliant with EN12445, with USB interface and software included complete with carry case	2.884,00
NSEL	Straight extension for measurements from 30 to 50 cm, applicable on NSFB and NSFS	350,50
NSEA	Angular extension for measurements from 1.25 to 2.50 m, applicable on NSEL	383,00
NSSWPDA	BlueForce PDA software for Pocket-PC, for NSFB	On request



Mechanical sensitive edges, more safety and easy installation.

CMA is the pre-assembled, high mechanical edge consisting in aluminium profiles of 1.5 - 1.7 - 2 - 2.5 m in length; ideal for assembly on sliding or swing gates.

CMBK is the kit for installing a low mechanical edge: for edges max. 4 m (CMBK4) and for edges max. 6 m (CMBK6), ideal for garage doors in general, up-and-over and sectional doors.

CB is a protective rubber pad. Fitted to the CMBK4/CMBK6 kit, it forms the low mechanical edge.



Mechanical sensitive edges

Code	Description	Pack	Price €
	High mechanical edge with aluminium profiles in sections measuring 1.5 - 1.7 - 2 - 2.5 m in mm 36x75 h:		
CMA 1,5MT	Length 1.5 m	1	75,00
CMA 1,7MT	Length 1.7 m	1	79,00
CMA 2MT	Length 2 m	1	85,50
CMA 2,5MT	Length 2.5 m	1	103,00
CB	Protective rubber pad for low rolled mechanical edge and aluminium profiles in sections measuring 2 m; dimensions in mm 23x44 h	40	512,00*
CMBK4	Kit for installing a low mechanical edge, with aluminium profiles measuring 4 m (to use together with CB)	1	47,60
CMBK6	Kit for installing a low mechanical edge, with aluminium profiles measuring 6 m (to use together with CB)	1	48,50

Passive sensitive edges

Code	Description	Pack	Price €
TCBS60	Passive sensitive edge in 10 m rolls	1	347,50

Nice Inductive magnetic detector loop

Magnetic sensor for the detection of metal objects

Simple and safe: operation and parameters are easily controlled, checked and programmable via the LCD display.

Quick and versatile: unlimited functions and simple, intuitive programming.

Integrated measurement system
Automatic indication of loop inductance.



Code	Description	Pack	Price €
LP1	Single-channel metal mass detector 24 V power supply	1	233,00
LP2	Two-channel metal mass detector 24 V power supply	1	328,50



Versions with classic relay or with Nice BlueBUS technology

Optical device, with wireless transmitter to secure on moveable leaf, horizontally adjustable through 210° and 30° vertically, for an automation according to Standards.

Consideration towards personal safety and product quality.

The safety level of the main edge, required by the EN12453 standard, can be achieved for any "type of use" and any "type of activation" by integrating a FT210/FT210B device to an 8.2 KOhm TCB65 type resistive sensitive edge.

The FT210/FT210B device, integrated with a "resistive" sensitive edge (8.2 KOhm), is safe against individual faults (category 3 according to the EN 954-1 standard) or can be used with automated systems with self-diagnosis at the start of every manoeuvre (category 2 according to the EN 954-1 standard).

Additional models

Versions with relay output (FT210), with Nice BlueBUS technology (FT210B), available with 2 Ah (FTA2) and 7Ah (FTA1) battery Kit, for intensive use.

Cutting-edge technology

The anti-collision circuit avoids interference with other out-of-sink receivers.

The FT210/FT210B optical devices are equipped with a special sensor capable of recognizing when the gate is motionless, which remains in a low consumption mode and activates only when the gate is in motion. Range adjustable on 2 levels; alignment with proportional Led for easy and safe installation.

Suitable for any architectural environment and easy to install

Reduced dimensions: 46x128x45; electrical connections can also be made from the lower section of the box.

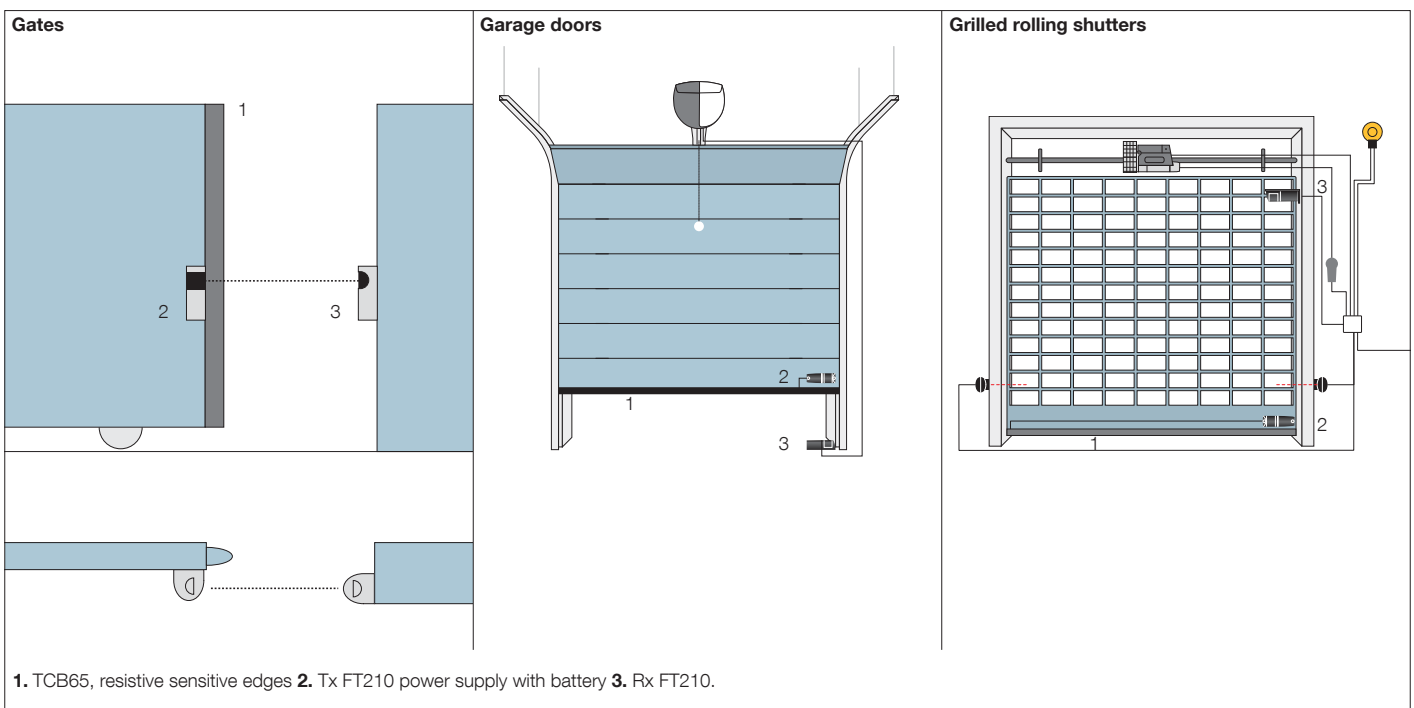
Resilient and safe

Polycarbonate casing;
FA1 vandal-proof metal shell (optional);
low transmitter battery indicator.

Code	Description	Pc/Pack	Price €
FT210	Pair of optical devices for sensitive edges fastened on moving door, can be swivelled through 210° with relay output. Battery kit (FTA1/FTA2) compulsory	1	144,00
FT210B	Pair of optical devices for sensitive edges fastened on moving door, can be swivelled through 210° with BlueBUS technology. Battery kit (FTA1/FTA2) compulsory	1	128,50

Technical specifications

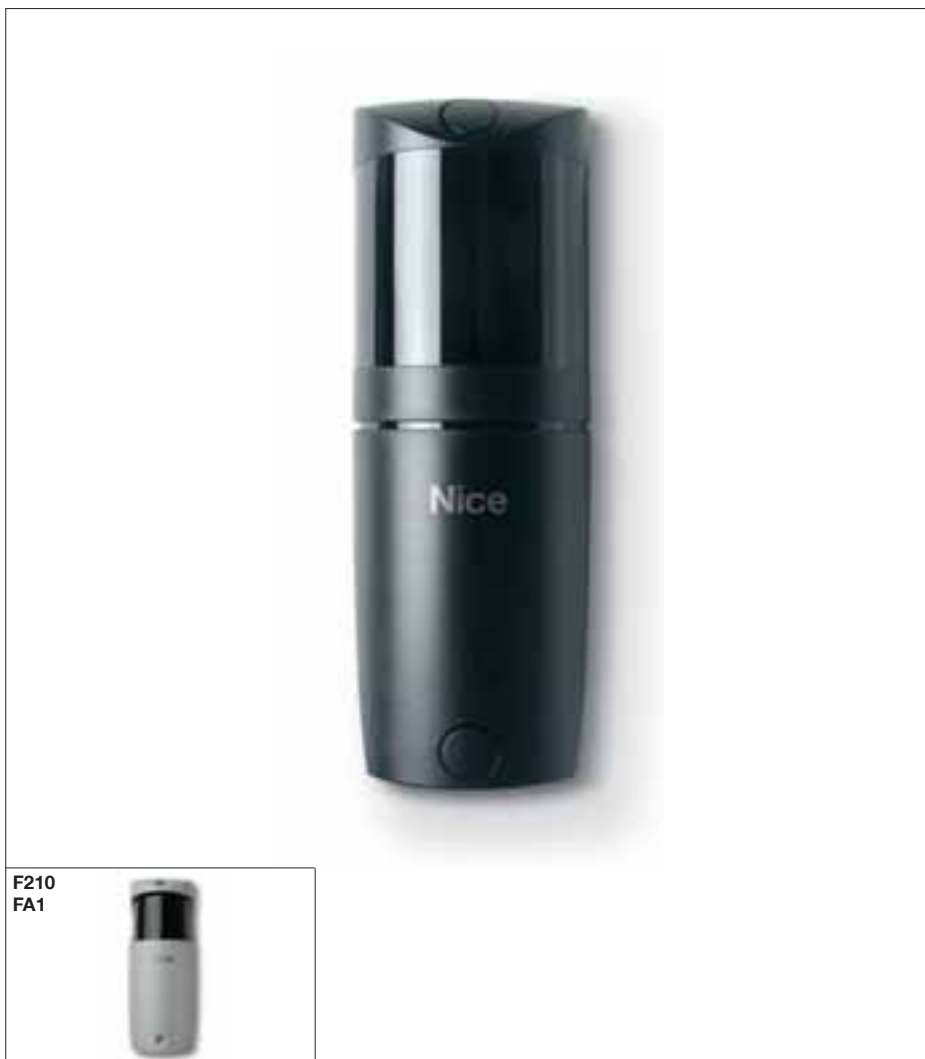
	Estimated range (m)	Power supply	Absorption	Protection rating (IP)	Working temp. (°C Min/Max)	Range relè	Dimensions (mm)	Weight (g)
FT210	10 (residential), 15 (industrial)	RX: 12-24 Vac/Vdc limits: 18-35 Vdc, 10-28 Vac TX: 3.6 V lithium battery	RX: 120 mA - 12 V, 70 mA - 24 V TX : 20 uA gate not moving, 450 uA gate operating	44	-20 ÷ +55	max 500 mA and 48 V	46x45x128 h	300
FT210B		RX: the device can only be connected to "BlueBUS" networks	1 BlueBUS unit TX : 20 uA gate not moving, 450 uA gate operating			-		280



Accessories

Code	Description	Pc/Pack	Price €
FA1	Vandal-proof metal shell	2	17,10*
FA2	Bracket for fixing to MOCF and MOCF2 columns	5	19,60*
FTA1	7 Ah battery kit for FT210/FT210B transmitters, for intensive use	1	43,10
FTA2	2 Ah battery kit for FT210/FT210B transmitters	1	22,20
MOCF2	Aluminium post for 2 photocells, 1000 mm high	2	108,50*
MOCF	Aluminium post for 1 photocell, 500 mm high	2	77,00*

* The price refers to the sale pack.



Synchronised photocells horizontally adjustable through 210° and 30° vertically. Simply perfect installations.

The 210° solution

The beam of the Nice F210 and F210B photocells has a horizontal scope of 210°, thereby increasing the safety level of the system and simplifying installation: the gate or garage door to be automated quite often slide flush with the wall making it very difficult to position the photocell.

Numerous models and countless advantages

The new photocells are available with relay output (F210) or with the Nice BlueBUS technology (F210B). With the BlueBUS technology, all devices can be easily connected to the control unit with just two wires. Sensors with the BlueBUS technology can be connected to incompatible control units by means of an IB interface. The devices that are connected to the BlueBUS network are automatically acquired by the system.

Suitable for any architectural environment and easy to install

Reduced dimensions: 46x128x45 mm; electrical connections can also be made from the lower section of the box.

Resilient and safe

Polycarbonate casing; FA1 vandal-proof metal shell (optional).

Cutting-edge technology

The problem of interference between the sensors and the automatic synchronisation between several pairs of photocells is solved by the anti-blinding circuit; high range adjustable on 2 levels; synchronising circuit; alignment with proportional Led for easy and safe installation.

Code	Description	Pc/Pack	Price €
F210	Pair of synchronised photocells adjustable through 210°, with relay output	1	87,00
F210B	Pair of synchronised photocells adjustable through 210°, with the Nice BlueBUS technology	1	106,00

Technical specifications

	Estimated range (m)	Power supply	Absorption	Protection rating (IP)	Working temp. (°C Min/Max)	Range relè	Dimensions (mm)	Weight (g)
F210	10 (30 with jumper cut)	without jumper 24 Vac/Vdc limits: 18-35 Vdc, 15-28 Vac with jumper 12 Vac/Vdc limits: 10-18 Vdc, 9-15 Vac	25 mA RX, 30 mA TX	44	-20 ÷ +55	max 500 mA and 48 V	46x45x128 h	230
F210B		the device can only be connected to "BlueBUS" networks	1 BlueBUS unit			-		

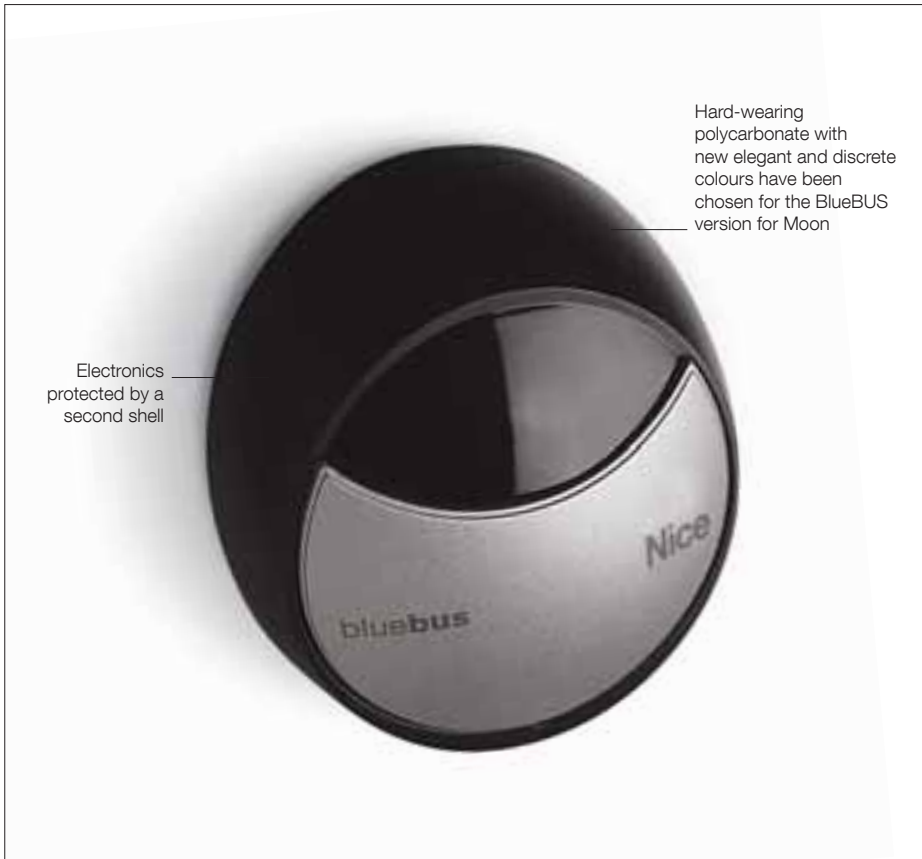


Accessories

Code	Description	Pc/Pack	Price €
IB	Interface for connecting BlueBUS F210B photocells up to control units which have not been manufactured for this purpose	1	98,50
FA1	Vandal-proof metal shell	2	17,10*
FA2	Bracket for fixing to MOCF and MOCF2 columns	5	19,60*
MOCF2	Aluminium post for 2 photocells, 1000 mm high	2	108,50*
MOCF	Aluminium post for 1 photocell, 500 mm high	2	77,00*

Technical specifications

	Power supply	Current draw with 24 Vdc power supply	Current draw with 24 Vdc power supply	BlueBUS output	Protection rating (IP)	Working temp. (°C Min/Max)	Dimensions (mm)	Weight (g)
IB	16÷35 Vdc 18÷28 Vac	50 mA (add approx. 50 mA for each pair of photocells)	44 mA (add approx. 44 mA for each pair of photocells)	one with maximum load of 9 BlueBUS units	30	-20 ÷ +55	86x58x22 h	72



Fixed or adjustable, synchronised photocells with BlueBUS technology.

The MOFB and MOFOB photocells

are obstacle detectors which make it possible to detect obstacles on the optical axis between a transmitter (TX) and a receiver (RX), type D according to Standard EN12453. They can be used in automations for gates and doors.

These devices are equipped with the **BlueBUS** communication system which makes it easy to connect all the devices up to the control units using two wires only. They are all quite simply connected up in parallel, and the addressed jumpers selected according to the function required.

Cutting-edge technology:

an anti-blinding circuit that makes it possible to solve the problem of interference between the detectors and automatic synchronisation between several couples of photocells.

The **MOFOB** version, which can be adjusted, will solve the problem of compensating centring gaps up to 30°.

IB Interface: enables the user to connect obstacle detectors using BlueBUS technology (MOFB and MOFOB photocells) and control units with inputs for traditional, photocell contacts. The system automatically recognizes the devices connected to the BlueBUS network. The phototest function enables users to achieve Safety Category 2 against faults according to Standard EN 954-1.



Code	Description	Pc/Pack	Price €
MOFB	Surface-mounted pair of photocells for connection by Nice BlueBUS	1	80,00
MOFOB	Pair of adjustable 30°, surface-mounted photocells for connection by Nice BlueBUS	1	87,00
IB	Interface for connecting BlueBUS MOFB and MOFOB photocells up to control units which have not been manufactured for this purpose	1	98,50

Technical specifications

	Power supply/output	Adjustability of the photocell	Estimated range (m)	Protection rating (IP)	Working temp. (°C Min/Max)	Dimensions (mm)	Weight (g)
MOFB	the device can only be connected to "BlueBUS" networks, from which it receives its power supply and sends output signals	-	up to 15 m for a maximum TX-RX misalignment of ± 5° (the device can detect and signal an obstacle even in particularly bad weather conditions)	55	-20 ÷ +55	69x25x78 h	50
MOFOB		approximately 30° along the horizontal and vertical axes				69x37x78 h	75

	Power supply	Current draw with 24 Vdc power supply	Current draw with 24 Vdc power supply	BlueBUS output	Protection rating (IP)	Working temp. (°C Min/Max)	Dimensions (mm)	Weight (g)
IB	16÷35 Vdc 18÷28 Vac	50 mA (add approx. 50 mA for each pair of photocells)	40 mA (add approx. 40 mA for each pair of photocells)	one with maximum load of 9 BlueBUS units	30	-20 ÷ +55	86x58x22 h	72



Synchronised photocells with a 10° receiving angle (MOF) also available in a 30° version adjustable in each direction (MOFO).

Ultra-thin:
just 28 mm (adjustable version: 38 mm).

Extremely hard-wearing:
transparent polycarbonate casing.

2 range levels.

Synchronisation circuit.

Alignment with proportional Led for safe and easy installation.

Code	Description	Pc/Pack	Price €
MOF	Pair of surface-mounted photocells	1	65,50
MOFO	Pair of adjustable 30°, surface-mounted photocells	1	75,00

Technical specifications

	Estimated range (m)	Power supply	Absorption (mA)	Protection rating (IP)	Working temp. (°C Min/Max)	Range relè	Dimensions (mm)	Weight (g)
MOF	15 (30 with jumper + "10 m" cut)	without jumper 24 Vac/Vdc limits	25 RX, 30 TX	54	-20 ÷ +55	max 500 mA and 48 V	69x25x78 h	55
MOFO		with jumper 12 Vac/Vdc limits 10-18 Vdc, 9-15 Vac					69x37x78 h	80



Sturdy: tamper-proof casing in welded metal with IP54 protection

Optimised visibility: integrated lighting for improved identification in the dark and at night-time

12-key digital selector with Nice BlueBUS connection technology.

Exclusive functions:

- 2 keys to activate two different commands selected from 6 available (for example step-step, close, open), depending on which control unit is connected;
- 255 combinations for storage on BM1000 memory;
- 2 programming modes: Easy or Professional;
- up to 4 MOTB and MOMB control devices connectable via BlueBUS, also in combined configurations;
- possibility of programming the number of times a specific combination can be used;
- possibility of enabling an automation block/unblock function.

Simple installation: easy and rapid connection with just 2 wires, no polarity, to complete the BlueBUS systems.

Safe: the combination is a number consisting in 1 to 9 figures, resulting in 99,999,999 possible combinations!

Two different visual indicators

according to automation status:

- red: automation closed or in closing phase;
- green: during opening or when the "automation block" function is active.

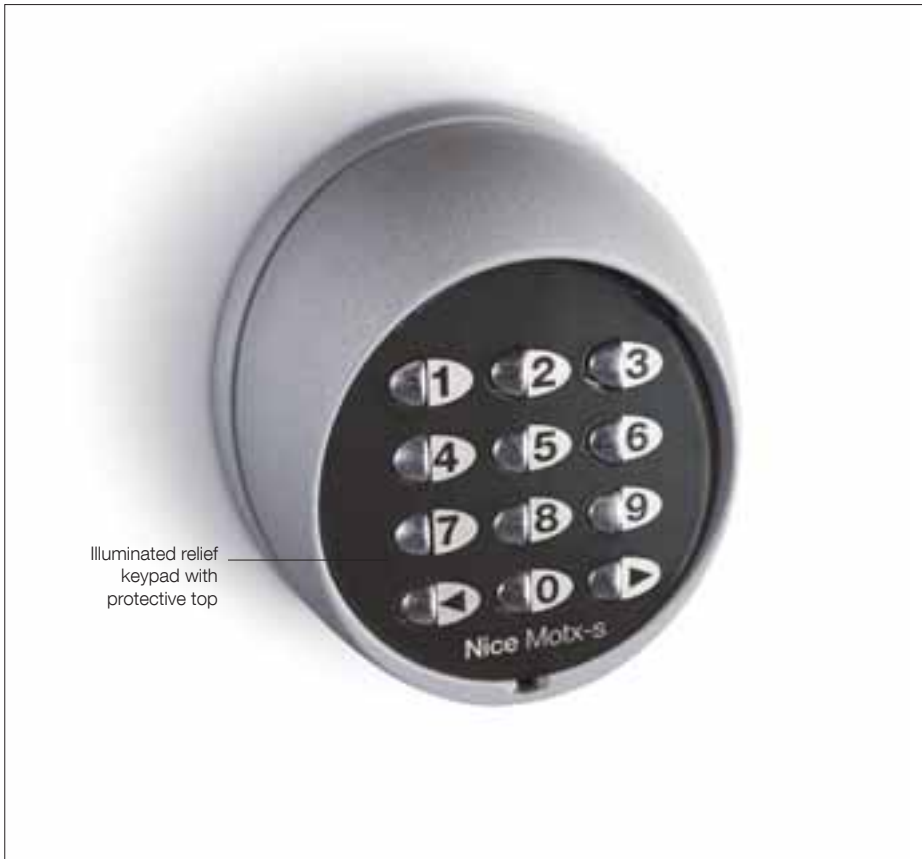
Easy programming: with MOU palmtop or O-Box interface, extremely simple management of any type of programming of the BM1000 memory in the vicinity of the system, or remotely, directly from the installer's office.

MOU and O-Box interface with the PC, enabling efficient archiving of all installations.

Code	Description	Pc/Pack	Price €
MOTB	12-key digital selector, in aluminium, with Nice BlueBUS technology	1	112,00

Technical specifications

	Power supply	Absorption	Protection rating (IP)	Dimensions (mm)
MOTB	via BlueBUS	1.5 BlueBUS unit	54	70x30x80 h



Illuminated relief keypad with protective top

12-key digital switch with 2-wire connection to decoder or radio-controlled.

MOTXR: radio coding digital switches with 52 bit FLoR rolling code; compatible with FloR and VeryVR transmitters, rolling code 4.5 million billion combinations, with self-learning function.

MOTXS: radio coding digital switches with 64 bit Smilo rolling code; compatible with Smilo transmitters, with 64 bit rolling-code, generates 18 billion million combinations, with self-learning function.

Complete: 2 transmission channels to control 2 automations.

Convenient: no wiring necessary; estimated range: 200 m outdoors and 35 m indoors.

Safe: the combination is a number consisting in 0 to 8 figures, resulting in 99,999,999 possible combinations!

Cheap: extra low consumption, the transmission will activate when the user presses the key, and switch itself off automatically. The ambient brightness sensor only activates keypad lighting when necessary.

Sturdy: vandal-proof die-cast aluminium casing, IP54.

MOT: digital switch with 2-wire connection to decoder

- 255 combinations can be entered out of a total of 999,999,999, expandable to 510;
- 2 channels;
- 2 programming modes: Easy or Professional;
- programmable output functions with pulse relay, bistable or timed relay, anti-theft feature;
- up to 4 switches can be connected by cable to the same receiver, with different active combinations.

Easy programming: with MOU palmtop or O-Box interface, extremely simple management of any type of programming of the BM1000 memory in the vicinity of the system, or remotely, directly from the installer's office. MOU and O-Box interface with the PC, enabling efficient archiving of all installations.



Code	Description	Pc/Pack	Price €
MOTXR	Radio-controlled digital switch compatible with FloR series of receivers 2 channels	1	113,00
MOTXS	Radio-controlled digital switch compatible with Smilo series of receivers 2 channels	1	113,00
MOT	12-key, aluminium digital switch, for combination with decoder MORX	1	84,00
MORX	Decoder for 1 MOM or 4 MOT connected in parallel with memory BM1000 for 255 combinations	1	98,00
BM1000	Additional memory card for others 255 combinations	5	178,50*

Technical specifications

	Power supply	Battery life	Frequency	Radiated power	Radio coding	Working temp. (°C Min/Max)	No. of figure combination	Estimated range (m)	Protection rating (IP)	Dimensions (mm)	Weight (g)
MOTXR	6 Vdc with 2 CR2430 type lithium batteries	estimated at 2 years, with an average number of 10 transmissions a day	433.92 MHz ± 100 KH	estimated at approximately 1 mW e.r.p.	rolling code 52 bit FloR	-20 ÷ +55	from 0 to 8	200; 35 if inside buildings	54	75x35x85 h	150
MOTXS					rolling code 64 bit Smilo						

	Night operation	Protection rating (IP)	Dimensions (mm)	Weight (g)
MOT	a red/green light will illuminate the keys	54	70x30x80 h	237

	Power supply memory	Power supply	Max. absorbed power	Protection rating (IP)	Working temp. (°C Min/Max)	Dimensions (mm)	Weight (g)
MORX	2 BM10000 for max. 510 MOCARD/MOCARDP FLoR-M or combinations	10÷35 Vdc, 12÷28 Vac	24 Vdc=70 mA 24 Vac=200 mA 12 Vdc=150 mA 12 Vac=300 mA (with 1 MOM or 4 MOT)	30	-20 ÷ +55	98x42x25 h	65

* The price refers to the sale pack.



Proximity reader for transponder cards and badge and Flor-m bimodal transmitters, with Nice BlueBUS connection technology.

Exclusive functions:

- 255 card/badge capacity;
- 2 programming modes: Easy or Professional;
- reading distance 4-8 cm;
- enables the entry of which type of cards/badge are enabled on the system: both, MOCARD only or MOCARDP only;
- possibility of programming the number of times a specific card/badge can be used;
- possibility of enabling an automation block unblock function;
- up to 4 MOTB and MOMB control devices connectable via BlueBUS, also in combined configurations;
- 2 modes (static and dynamic) to activate two different controls selected from 6 available (for example step-step, close, open) according to the control unit connected.

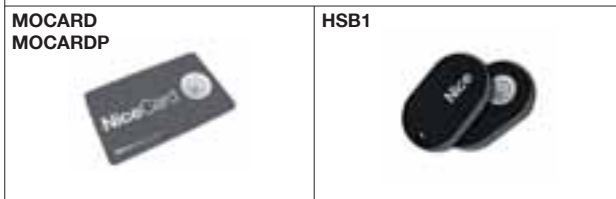
Simple installation: easy and rapid connection with just 2 wires, no polarity, to complete the BlueBUS systems.

Easy programming: with MOU palmtop or O-Box interface, extremely simple management of any type of programming of the BM1000 memory in the vicinity of the system, or remotely, directly from the installer's office.

MOU and O-Box interface with the PC, enabling efficient archiving of all installations.

New transponder badge.

A practical badge that can be attached to a key-ring for availability at all times.



Code	Description	Pc/Pack	Price €
MOMB	Proximity reader for transponder cards, with Nice BlueBUS technology	1	101,00
MOCARD	Transponder card	10	84,00*
MOCARDP	Transponder card programmable via MOU palm-top, with sequential code for multiple insertion	10	138,00*
HSB1	Transponder badge reprogrammable via MOU palmtop, with sequential encoding, for multiple entries	10	152,00*

Technical specifications

	Power supply	Absorption	Detection range (cm)	Protection rating (IP)	Dimensions (mm)
MOMB	via BlueBUS	2 BlueBUS unit	from 4 to 8	55	69x26x78 h



Proximity sensor for transponder cards and badge and for Flor-m bimodal transmitters, with 2-wire connection to decoder.

Exclusive functions:

- 255 cards/badge can be entered with a single code, expandable to 510;
- 2 channels;
- 2 programming modes: Easy or Professional;
- programmable output functions with instantaneous relay, bistable relay, timer, anti-theft feature;
- can be connected by cable to 1 proximity sensor;
- reading distance 5-10 cm;
- hard-wearing polycarbonate;
- Led enabling the user to see the device in the dark;
- it is possible to change the operations counter associated with a given card present in the memory;
- enables the user to change in the memory the parameter relative to the type of card/badge the decoder will be able to recognise.
- it is possible to change the code assigned to a given MOCARDP so that it can be programmed in line with specific requirements.

Easy programming: with MOU palmtop or O-Box interface, extremely simple management of any type of programming of the BM1000 memory in the vicinity of the system, or remotely, directly from the installer's office. MOU and O-Box interface with the PC, enabling efficient archiving of all installations.

New transponder badge.

A practical badge that can be attached to a key-ring for availability at all times.



Code	Description	Pc/Pack	Price €
MOM	Proximity reader for transponder badges MOCARD and MOCARDP for combination with decoder MORX	1	61,50
MOCARD	Transponder card	10	84,00*
MOCARDP	Transponder card programmable via MOU palm-top, with sequential code for multiple insertion	10	138,00*
HSB1	Transponder badge reprogrammable via MOU palmtop, with sequential encoding, for multiple entries	10	152,00*
MORX	Decoder for 1 MOM or 4 MOT connected in parallel with memory BM1000 for 255 combinations	1	98,00
BM1000	Additional memory card for others 255 combinations	5	178,50*

Technical specifications

	Description	Anti-crushing distance (cm)	Protection rating (IP)	Dimensions (mm)	Weight (g)		
MOM	reader for MOCARD, MOCARDP and HSB1	5 ÷ 10	55	69x26x78 h	65		
	Power supply memory	Power supply	Max. absorbed power	Protection rating (IP)	Working temp. (°C Min/Max)	Dimensions (mm)	Weight (g)
MORX	2 BM10000 for max. 510 MOCARD/MOCARDP or combinations	10÷35 Vdc 12÷28 Vac	24 Vdc=70 mA 24 Vac=200 mA 12 Vdc=150 mA 12 Vac=300 mA (with 1 MOM or 4 MOT)	30	-20 ÷ +55	98x42x25 h	65



Key switches with automatic clasp lock, European or standard cylinder.

Die-cast aluminium casing.

Ultra-thin: just 14 mm in the recessed version (39 mm in the surface-mounted version).

Led courtesy light (optional).

Electrical contacts and levers protected by a plastic casing.



Code	Description	Pc/Pack	Price €
MOSEU	Surface-mounted key switch, European cylinder	1	36,70
MOSIU	Recessed key switch, European cylinder	1	36,70
MOSE	Surface-mounted key switch	1	33,30
MOSI	Recessed key switch	1	33,30
MOSU	Key switch no European cylinder, for outdoor use	1	29,80

Accessories

Code	Description	Pc/Pack	Price €
MOSA1	Led for MOSE, MOSI, MOSEU, MOSIU, MOSU	5	52,50*
CHS	Neutral key for MOSE, MOSI	1	1,90
CHEU	Neutral key for MOSEU, MOSIU	1	1,90

Nice Moon accessories

Accessories



Code	Description	Pc/Pack	Price €
MOA1	Box for recessed installation MOSI, MOSIU. It is also suitable for MOF, MOFO, MOT, MOM, MOSE, MOSEU, MOSU	20	68,00*
MOA2	Finishing kits for installing the MOF, MOFO, MOSE, MOSEU, MOSU, MOT, MOM series over pre-existent fittings. This does not apply to MOTX	3	51,00*
PCM	Foundation plate for MOCF, MOCF2, MOCS posts	4	58,00*
MOCA1	Installation accessory MOSE, MOSEU, MOSU MOT, MOM on MOCF2 post	1	16,10
MOCS	Aluminium post with protected housing for 1 switch, 1100 mm high	2	108,50*
MOCF2	Aluminium post with protected housing for 2 photocells, 1000 mm high	2	108,50*
MOCF	Aluminium post with protected housing for 1 photocell, 500 mm high	2	77,00*

* The price refers to the sale pack.

Nice MoonLight



Flashing signal light.

Available with different power supply voltages:
230 Vac, 24 Vdc and 12 Vdc.

Practical: suitable for mounting in any position.

Incorporated 433.92 MHz aerial on all versions.

IP44 protection level.

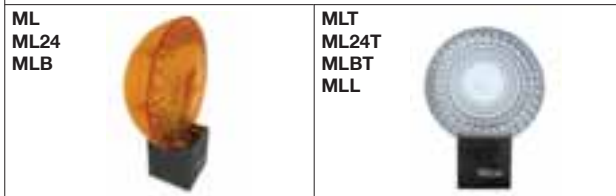
Available in two colours: orange and neutral.

MLL version, ideal for 230 V control units without provision, connected directly to the power line, this product monitors absorption and is activated automatically when the automation starts to operate.

Dual function: programmable in flashing light or courtesy light mode.

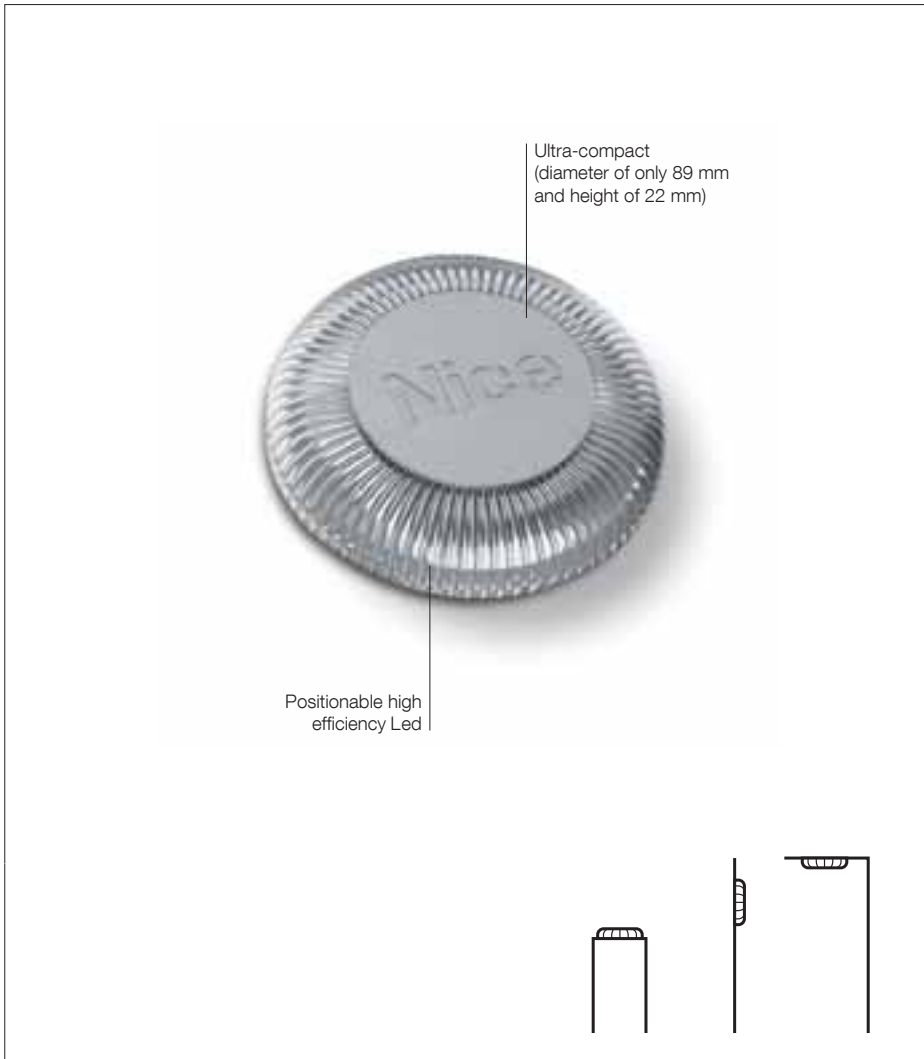
Flashing light: activated when an automation manoeuvre is in progress.

Courtesy light: activated when the automation starts to operate and, thanks to the internal timer, remains activated for a programmable time interval.



Code	Description	Pc/Pack	Price €
ML	Orange, 230 Vac, for preset control units	1	47,10
MLT	Neutral, 230 Vac, for preset control units	1	47,10
ML24	Orange, 24 Vac/Vdc, for preset control units	1	52,50
ML24T	Neutral, 24 Vac/Vdc, for preset control units	1	52,50
MLB	Orange, 12 Vac/Vdc, for preset control units	1	38,60
MLBT	Neutral, 12 Vac/Vdc, for preset control units	1	41,50
MLL	Neutral, 230 Vac, for non preset control units. Supplied with one white lamp and one orange lamp	1	79,00

Compatibility table	A0	A0R	A1	A100F	A02	A3	A3F	A400	A500	A6	A6F	A60	A700F	A824	A924	MC824H	MC424L	WALKY	POP	POP7124	HYKE	ROBO 230 Vac	ROBO 24 Vdc	ROAD	ROBUS	RUN	THOR / THOR-Q	TUB	SPIN / SPINBUS	SPIDER / SPIDO	TEN	OTTO 230 Vac	OTTO 24 Vdc	CLIMBER	SOON	X-BAR	SIGNO	WIL							
ML / MLT	•	•	•	•	•	•	•	•	•	•	•	•	•	•	•	•	•	•	•	•	•	•	•	•	•	•	•	•	•	•	•	•	•	•	•	•	•	•	•	•	•	•			
ML24 / ML24T																																													
MLB / MLBT																																													



Multi-function Led indicator.

The only version with 12/24 Vac/Vdc power supply and flashing light function, courtesy light function or dusk sensor function.

A new idea for improved safety: when connected to compatible control units, Wallyght can act as a normal flashing light, or provide ambient lighting like a fixed courtesy light. When connected to a 12/24 Vac/Vdc output, Wallyght can remain permanently lit, and also be activated at dusk to then turn off at dawn thanks to the integrated dusk sensor.

Optimal efficiency, extra long life: the two 1 W-Leds guarantee a lifetime of 70.000 hours (continuous use).

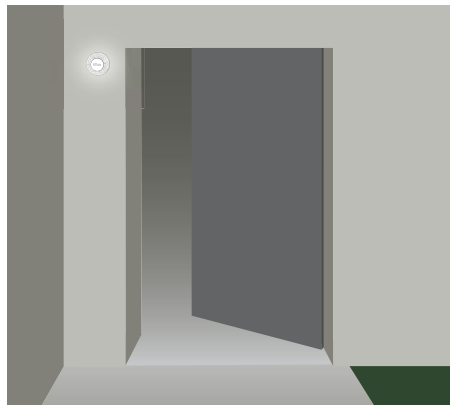
Horizontal, wall or ceiling mounting: combined with the possibility of orienting the light beam and compact dimensions of the IP44 box, use of Wallyght is even more flexible.

Code	Description	Pc/Pack	Price €
WLT	Multi-function Led indicator	1	42,70

Path indicators on entrance pathways



Courtesy light



Compatibility table

WLT	•	•	•	•	•	•	•	•	•	•	•	•	•	•	•	•	•	•	•	•	•
-----	---	---	---	---	---	---	---	---	---	---	---	---	---	---	---	---	---	---	---	---	---

A824
A924
MC824H
MC424L
WALKY
POP
HYPK
ROBO 24 Vdc
ROAD
ROBUS
RUN
SPIN / SPINBUS
SPIDER / SPIDO
TEN
OTTO 24 Vdc
CLIMBER
SOON
X-BAR
SIGNO
WIL



Kio, key-operated selector switch for low voltage contacts, with release mechanism for metal cord, ideal for the automation of sectional doors, folding doors and rolling gates.

User-friendly:

Kio is both a key-operated selector switch and a release device. Its design makes it very convenient and effortless to use, and easy to install anywhere thanks to its very narrow outline.

Long-lasting: Kio is made of cast aluminium, epoxy powder coated for greater durability.

Easy: Led allows you to locate the selector switch even in total darkness.

More safety: coded key.

Release device activated directly by opening the door or by the winding device.

The very first product to incorporate the key-operated control and release motor functions.

Code	Description	Pc/Pack	Price €
KIO	Key-operated selector switch for low voltage contacts, with release mechanism for metal cord	1	69,50
KA1	6 m cable release kit for KIO	1	20,60

Nice Heating device



PW1, heating element:

it maintains a suitable temperature for the automation system to operate correctly, **even under the most severe of weather conditions.**

This is a particular type of **resistance** that can reach temperatures close to 100°C under normal environmental conditions.

Effective: each element has a consumption of 20 W and is extremely efficient thanks to the silicone sheath that covers the resistance and increases the diffusion of heat.

Independent: the device is directly fed by a 230/120 Vac power supply through the TW1 thermostat, and because it doesn't burden the transformer of the product itself, the performance characteristics of the gear motor remain the same.



TW1, regulation thermostat for PW1:

when the detected temperature drops below the set threshold, the thermostat activates the heating element PW1 thereby slowly increasing the internal temperature of the product itself; the heating action is maintained until the detected surrounding temperature stabilizes at the set levels.

Easy to program: the intervention threshold can be regulated between 0°C and -20°C.

Safe: equipped with a button so that an operational test can be performed at any time. The status of the outputs is continuously verified by means of Leds.

Code	Description	Pc/Pack	Price €
PW1	Heating element for the automation system	1	74,50
TW1	Regulation thermostat	1	79,00



BUPC, the programming unit resolves “on-the-spot” control and maintenance problems of **Bio**, **FloR** and **VeryVR** radio control systems.

With this system you can add, cancel, check, enable or disable codes; copy the memory; enter learning and password security locks and print events.

The software, Windows compatible, is simple and immediate so you can use the BUPC palm-top as a local terminal.

From the PC you can also:

- enter personal notes for each code;
- make back-up copies of the memory in the shape of files on which you can work at any time;
- enter additional codes;
- print the memory’s contents;
- easy management of decoders and receivers with multiple memories;
- multiple insertion: enables the user to memorise large number of codes in just one step, simply by keying in the first and last codes.

MOU, the programming unit that allows you to manage all types of functions on the **MOM** proximity reader, **MOT** digital switch (through MORX decoder) and the **Flor-m** transponder transmitter with the utmost ease.

MOU can interface with your PC allowing you to create an orderly archive of all your installations:

- facility to display, add and delete codes one by one or delete all codes; in the memory plugged into the connector, making a backup copy on its internal buffer memory;
- manage the codes acquisition functions lock;
- manage a password for access to reserved data;
- edit, on the memory plugged into the connector, the parameter that controls the operating mode associated with decoder output 1 or 2, choosing between “Momentary”, “Timer”, “Bistable” or “Anti-theft”;
- change the time interval of the timer associated with output 1 or 2 when the memory is to be used in a decoder with the timer function active;
- program new memories starting in “Easy” or “Professional” mode;
- change the operations counter associated with a given card present in the memory;
- choose the output enable by the new combinations (1, 2 or both);
- change the parameter relative to the card type that the decoder is able to recognise (MOCARD, MOCARDP, or both);
- change the code assigned to a given MOCARDP so that it can be programmed in line with specific requirements.


Code	Description	Pc/Pack	Price €
BUPC	Programming and code control unit for the FloR, VeryVR, Bio series	1	614,50
MOU	Programming and code control unit for MORX decoder	1	614,50

Technical specifications

	Power supply	Communication	Consumption (mA)	Dimensions (mm)
BUPC	9 V internal battery inside 12 Vdc external source	interface RS232 standard, 9600Bps N,8 1	10	210x100x25 h
MOU	9 V internal battery inside 12 Vdc external source	interface RS232 standard, 9600Bps N,8 1	10	210x100x25 h

Control units

- 4|11 The Nice World
- 12|65 Systems for swing gates
- 66|85 Systems for sliding gates
- 86|109 Barrier gate operator systems
- 110|137 Systems for garage and industrial doors
- 138|179 Control systems
- 180|205 Accessories
- 206|225 Control units**
- 226|229 Product code alphabetical index



**Control units with
Solemyo and Opera system**

210|213 Moonclever

Control units

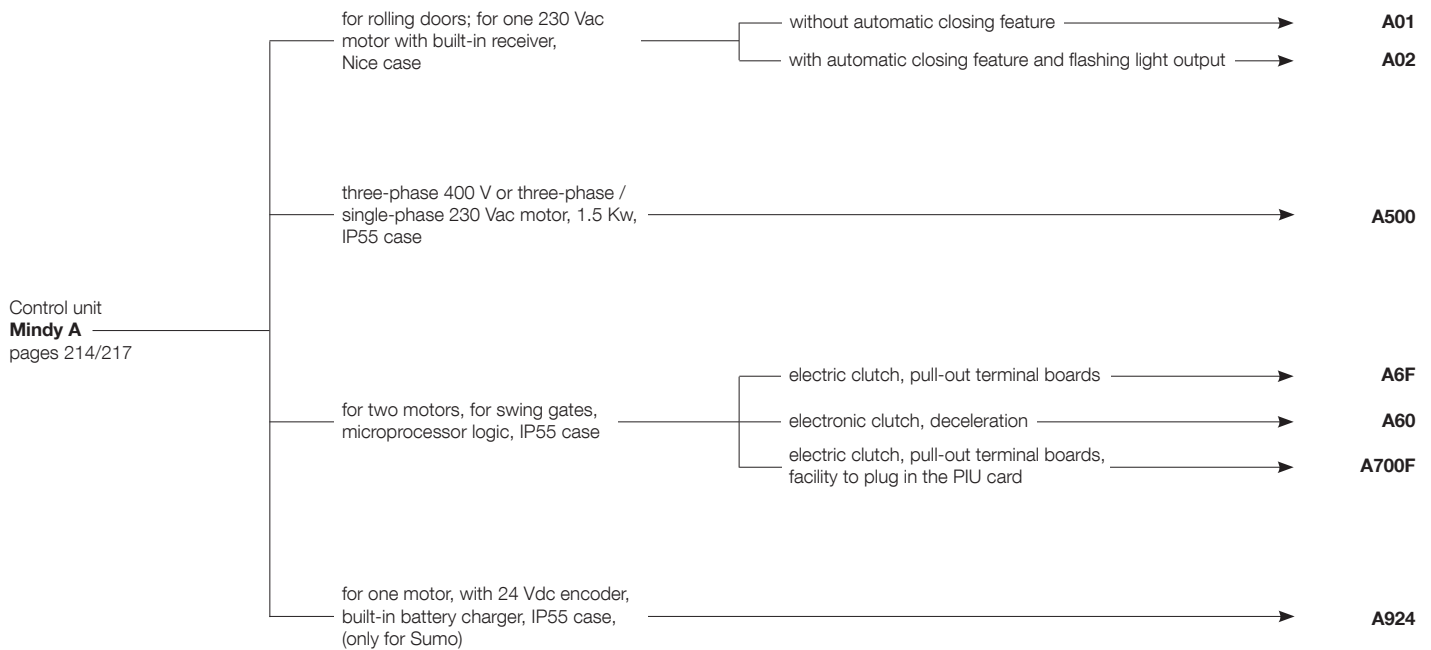
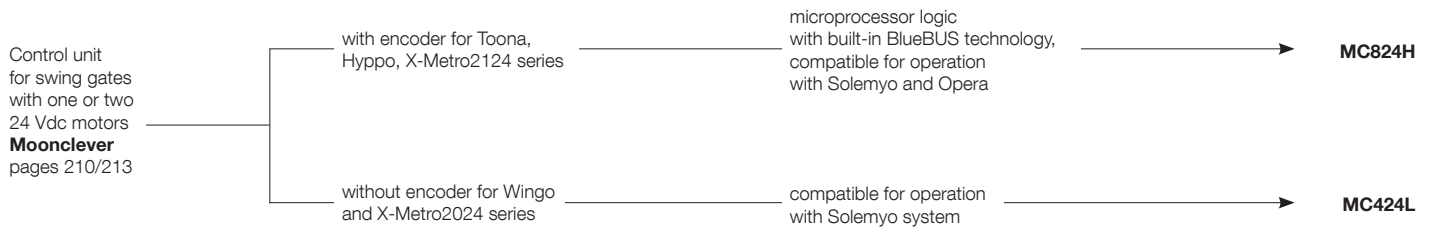
214|217 Mindy A

Functions and connections

218|225

Nice Selection guide

Follow the arrow and choose the right product



Moonclever



Mindy A





Control unit for 24 Vdc gear motors with magnetic encoder, for swing gates.

Equipped with Nice **BlueBUS** technology and compatible with the **Solemyo** solar power system and **Opera** system for management, programming and diagnostics of automations, also remotely.

Compatible with the Opera system, which thanks to the O-View multi-function display enables personalisation of the system, modifying the opening and closing positions, leaf offset and deceleration intervals, and diversifying parameters such as force, speed, and obstacle detection for each motor.

Microprocessor logic: in addition to the classic functions such as intelligent clutch with anti-crushing safety device, gradual start-up and deceleration, automatic memorisation of both travel limit positions and the pedestrian door function, Moonclever also offers the advantages of the Opera system.

Safe and reliable thanks to obstacle detection with dual technology and monitoring of motor absorption and speed via the encoder, throughout door/gate travel, with provision for connection of latest generation resistive sensitive edges.

Intelligent: on start-up, indicator to confirm correct power supply and efficient operation of the control unit; automatic fault diagnostics and signalling via the flashing light and confirmation leds.

Savings, respect for the environment, and autonomy: when connected to the buffer battery or Solemyo kit, consumption on standby is reduced to just 0.1 W.

Installation couldn't be simpler, thanks to the system BlueBUS, enabling connection of the control unit, motors and accessories by means of just two wires.

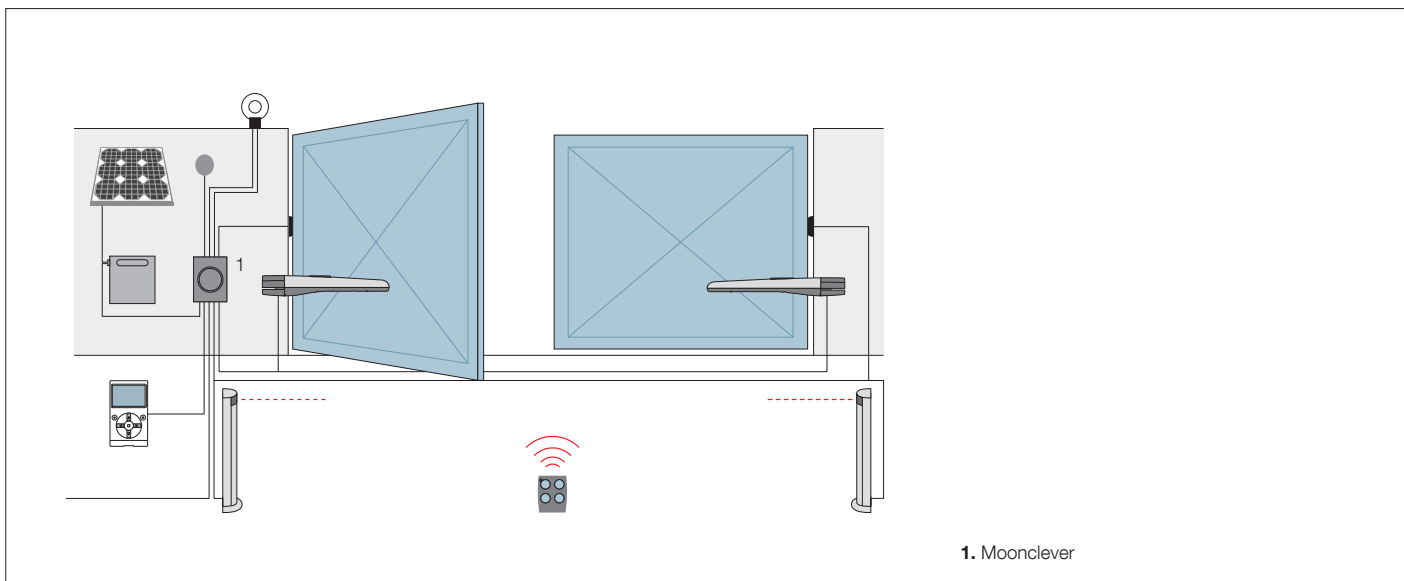
No black out: operation in the event of a power failure by means of optional batteries (PS124) with compartment in control unit.

Radio receiver: provision for insertion of SM snap-fit receivers.

Code	Description	Pc/Pack	Price €
MC824H	Control unit for one or two motors at 24 Vdc with encoder, with BlueBUS technology, compatible for Opera and Solemyo systems	1	341,00

Technical specifications

	MC824H
Code	MC824H
Power supply (Vac 50/60Hz)	230 ± 10%
Battery power (Vdc)	21 ÷ 28
Maximum motor power (VA; A)	360 (W); 15
Maximum accessories power 24 V (A)	0.2
Maximum flashing light power (V;W)	12; 21
Maximum gate open indicator power CA (V; W)	24; 2
Maximum electric lock power (Vac; VA)	12; 15
Working time "TL" (s)	-
Pause time "TP" (s)	1 ÷ 250
Opening delay time TRA (s)	Programmable
Closing delay time TRC (s)	Programmable
Courtesy light time "TCor" (s)	0:250
Pre-flashing time "TPre" (s)	0:10
Force adjustment (%)	-
Anti-crushing device (sensitivity)	Mini ÷ Max
Case dimensions (mm)	230x125x300 h



Accessories



MCA1
Spare control unit
for MC824H.
Pc/pack 1
(see spare parts price-list)



PS324
24 V battery
with integrated
battery charger.
Pc/pack 1
€ 111,50



Solemyo system



The solar power kit Solemyo to automate gates, garage doors or barrier gates, including those located far from the power mains and without the need for costly and invasive excavation work.
See pages 186/187

Opera system



The innovative Opera system enables the installer to manage, program and control automation systems, also remotely, simply and safely, with significant savings in time.
See pages 140/141



Control unit for 24 Vdc gear motors for swing gates, without encoder: Wingo4024, Wingo5024 and X-Metro2020.

Control unit, compatible with the solar power kit **Solemyo**.

Safe and reliable thanks to obstacle detection throughout travel and provision for the connection of latest generation resistive sensitive edges.

Intelligent: automatic fault diagnostics and signals via flashing light and confirmation leds.

Savings, respect for the environment, ad autonomy: connected to the buffer battery or Solemyo kit, consumption on standby is just 0.1 W.

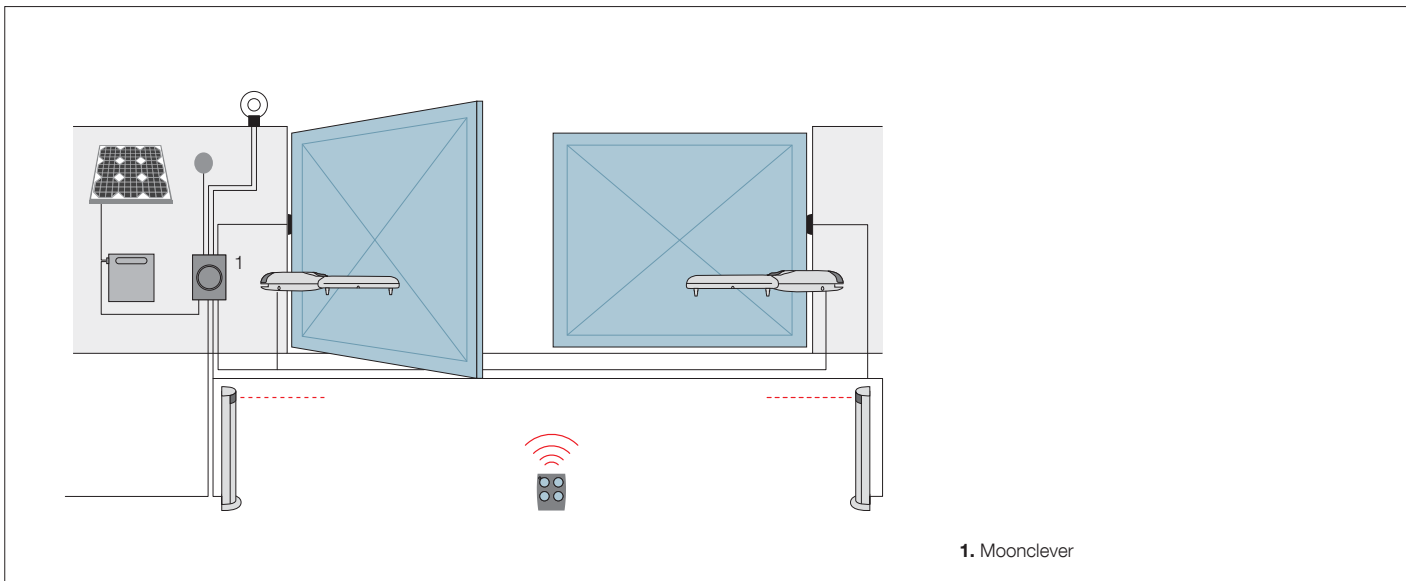
No black out: operation in the event of a power failure by means of optional batteries (PS124) with compartment in control unit.

Radio receiver: provision for insertion of SM snap-fit receivers.

Code	Description	Pc/Pack	Price €
MC424L	Control unit for one or two motors at 24 Vdc without encoder, compatible for Solemyo system	1	248,50

Technical specifications

Code	MC424L
Power supply (Vac 50/60Hz)	230 ± 10%
Battery power (Vdc)	21 ÷ 28
Maximum motor power (VA; A)	75; 3
Maximum accessories power 24 V (A)	0.2 +0.1
Maximum flashing light power (V;W)	24; 25
Maximum gate open indicator power CA (V; W)	24; 2
Maximum electric lock power (Vac; VA)	12; 15
Working time "TL" (s)	-
Pause time "TP" (s)	5 ÷ 80
Opening delay time TRA (s)	5 ÷ 40% TL
Closing delay time TRC (s)	-
Courtesy light time "TCor" (s)	-
Pre-flashing time "TPre" (s)	3
Force adjustment (%)	-
Anti-crushing device (sensitivity)	1 ÷ 6
Case dimensions (mm)	230x125x300 h



1. Moonclever

Accessories



MCA2
Spare control unit
for MC424L.
Pc/pack 1
(see spare parts price-list)



PS124
24 V battery
with integrated
battery charger.
Pc/pack 1
€ 92,50



Solemyo system



The solar power kit Solemyo to automate gates, garage doors or barrier gates, including those located far from the power mains and without the need for costly and invasive excavation work. See pages 186/187

A01
A02



Mindy A01, A02 control units for rolling doors.

Incorporated radio card compatible with the Nice Flo, FloR and Smilo systems.

Programmable Step-by-step/Open input.

Input for **close** function.

Input for connection interface for 8.2 KOhm resistive sensitive edge.

Semi-automatic and automatic operation.

Flashing light output (A02 model).

Code	Description	Pc/Pack	Price €
A01	For one 230 Vac motor, for rolling shutters, without automatic closing feature, with built-in receiver compatible with the Flo, FloR and Smilo series of transmitters	1	93,00
A02	For one 230 Vac motor, for rolling shutters, with semi-automatic and automatic closing feature, flashing light output and with built-in receiver compatible with the Flo, FloR and Smilo series of transmitters	1	102,00

Technical specifications

Code	A01	A02
Power supply (Vac 50/60 Hz)	230 ± 10%	
Battery power (Vdc)	-	
Maximum motor power (VA; A)	600; 3	
Maximum accessories power 24 V (A)	0.055	
Maximum flashing light power (V;W)	-	230; 40
Maximum gate open indicator power CA (V; W)	-	
Maximum electric lock power (V; W)	-	
Working time "TL" (s)	5 ÷ 120	
Pause time "TP" (s)	-	1 ÷ 120
Opening delay time TRA (s)	-	
Closing delay time TRC (s)	-	
Courtesy light time "TCor" (s)	-	
Pre-flashing time "TPre" (s)	-	
Force adjustment (%)	-	
Anti-crushing device (sensitivity)	-	
Case dimensions (mm)	128x112x43 h	

A500



PUL



**Mindy A500 control unit,
three-phase 230 V,
400 V or single-phase
230 Vac motor, 1.5 Kw.**

Automatic detection of obstacles,
door block, brake.

Pull-out terminal boards.

Code	Description	Pc/Pack	Price €
A500	For a three-phase 400 Vac or single-phase / three phase 230 Vac motor, 1.5 Kw	1	379,00
PIU	Expansion card for additional functions	1	41,80
PUL	Central cover with incorporated control buttons, complete with connecting cable and connector for A500 and A924	1	91,00

Technical specifications

Code	A500
Power supply (Vac 50/60 Hz)	400/230 ± 10%
Battery power (Vdc)	-
Maximum motor power (VA; A)	1500; 4
Maximum accessories power 24 V (A)	0.2 + 0.2
Maximum flashing light power (V;W)	230; 40
Maximum gate open indicator power CA (V; W)	24.2
Maximum electric lock power (V; W)	-
Working time "TL" (s)	3 ÷ 120 (210)
Pause time "TP" (s)	5 ÷ 200
Opening delay time TRA (s)	-
Closing delay time TRC (s)	-
Courtesy light time "TCor" (s)	(PIU)
Pre-flashing time "TPre" (s)	5
Force adjustment (%)	-
Anti-crushing device (sensitivity)	Min ÷ Max
Case dimensions (mm)	220x110x280 h

A6F
A60
A700F



Mindy A6F, A60 control units, for two motors; microprocessor logic.

Pull-out terminal boards (A6F and A60 models).
Two photocell inputs with separate functions.
Electrical (A6F model) or electronic (A6F and A60 models) adjustment.
Gradual departure and slowdown (A60).
Adjustment is separate to the work times (A60).

Mindy A700F control unit, for two motors; microprocessor logic.

Removable terminal boards;
two photocell inputs; four limit switch inputs;
partial opening (standard).
Unbeatable performance due to the many programmable functions.
PIU expansion card can be inserted to provide more functions.

Code	Description	Pc/Pack	Price €
A6F	For two 230 Vac motors with electric clutch, IP55 case	1	213,00
A60	For two 230 Vac motors with electronic clutch and slowdown, IP55 casing	1	222,50
A700F	For two 230 Vac motors with electric clutch. Possibility of adding the PIU expansion card, IP55 case	1	258,50
PIU	Expansion card for additional functions	1	41,80
PUL	Central cover with incorporated control buttons, complete with connecting cable and connector for A500 and A924	1	91,00

Technical specifications

Code	A6F	A60	A700F
Power supply (Vac 50/60 Hz)	230 ± 10%		
Battery power (Vdc)	-		
Maximum motor power (VA; A)	2x400; 2		
Maximum accessories power 24 V (A)	0.3	0.2 + 0.075	0.2 + 0.1
Maximum flashing light power (V;W)	230; 100	230; 40	230; 100
Maximum gate open indicator power CA (V; W)	24; 2		
Maximum electric lock power (V; W)	12; 25		
Working time "TL" (s)	2.5 ÷ 40 (80)		
Pause time "TP" (s)	5 ÷ 80		
Opening delay time TRA (s)	0/2.5 ÷ 12		
Closing delay time TRC (s)	0/2.5 ÷ 12		
Courtesy light time "TCor" (s)	60		60 (PIU)
Pre-flashing time "TPre" (s)	5		
Force adjustment (%)	30/45/60/ 80/100	0 ÷ 100	30/45/60/ 80/100
Anti-crushing device (sensitivity)	-		
Case dimensions (mm)	220x110x280 h		

A924



Mindy A924 control units (only for Sumo)

24 V version for one dc motor,
complete with encoder.

Intelligent clutch with anti-crush safety feature.

Automatic memorization of limit switches
on opening and closing; gradual departure
and slowdown.

Pedestrian passage function "service".

Warning light for maintenance
(can be programmed).

Built-in battery charger.

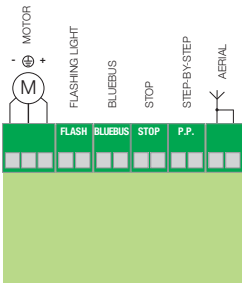
Pull-out terminal boards.

Code	Description	Pc/Pack	Price €
A924	For one motor, with 24 Vdc encoder, built-in battery charger, IP55 case (only for Sumo)	1	343,00
B12-B	12 V, 6 Ah batteries	1	54,50
B12V-C	12 V, 2 Ah batteries	1	35,90
CARICA	Plug-in card for battery charger	1	43,10
BA3-A	Nice battery box for A924	1	(spare parts price-list)
PUL	Central cover with incorporated control buttons, complete with connecting cable and connector for A500 and A924	1	91,00

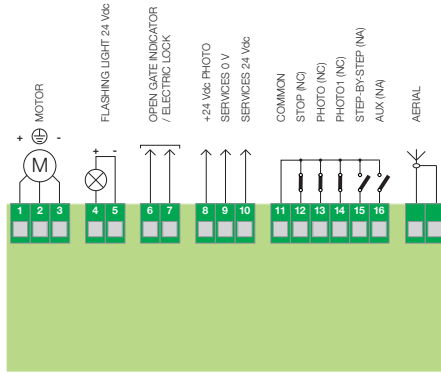
Technical specifications

Code	A924
Power supply (Vac 50/60 Hz)	230 ± 10%
Battery power (Vdc)	21 ÷ 28
Maximum motor power (VA; A)	360 (W); 15
Maximum accessories power 24 V (A)	0.2 + 0.2
Maximum flashing light power (V;W)	24/25
Maximum gate open indicator power CA (V; W)	24; 2
Maximum electric lock power (V; W)	24; 12
Working time "TL" (s)	-
Pause time "TP" (s)	1 ÷ 1023
Opening delay time TRA (s)	-
Closing delay time TRC (s)	-
Courtesy light time "TCor" (s)	60
Pre-flashing time "TPre" (s)	5
Force adjustment (%)	-
Anti-crushing device (sensitivity)	Min ÷ Max
Case dimensions (mm)	220x110x280 h

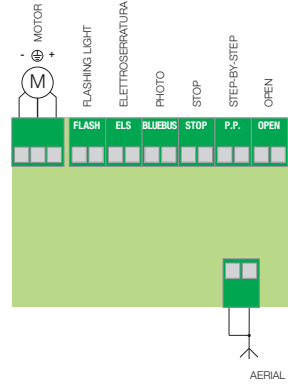
WALKY



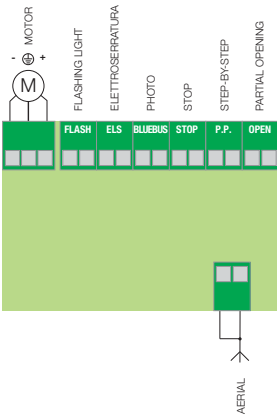
POP



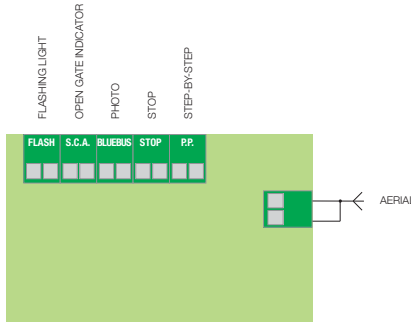
POP 7124



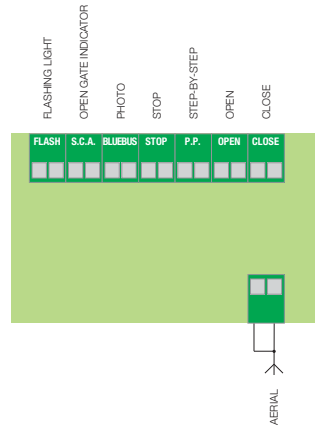
HOPP 7124



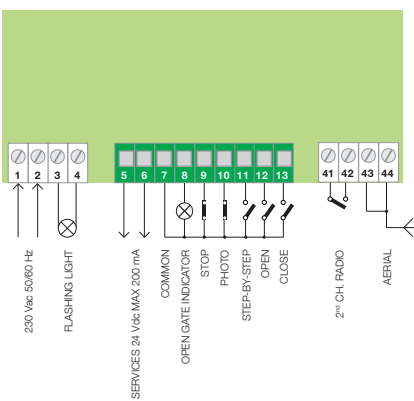
ROBUS 350



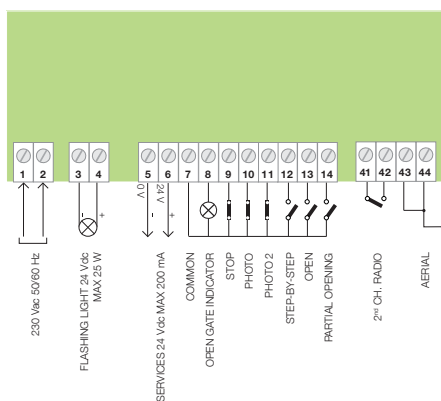
ROBUS 400/600/1000



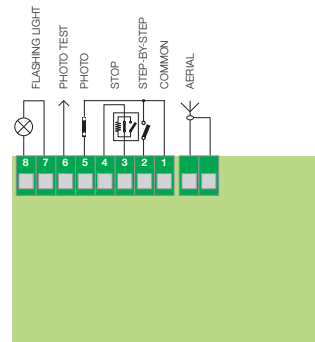
RO1000/RO1010



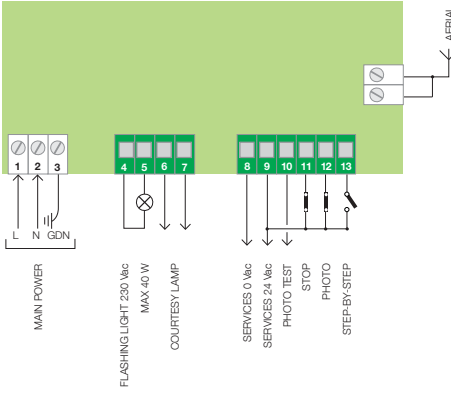
RO1124



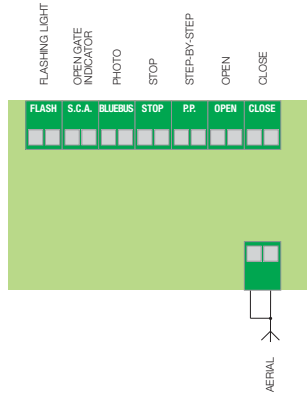
ROAD



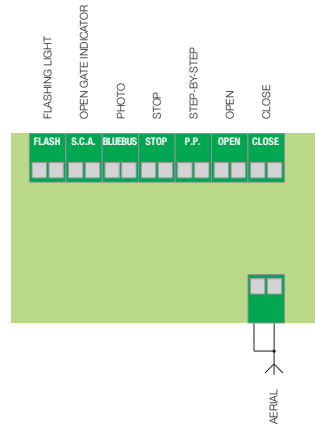
RO300



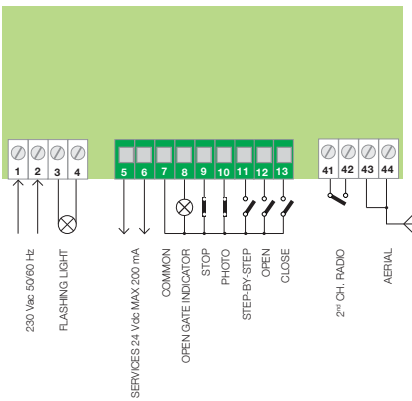
RUN



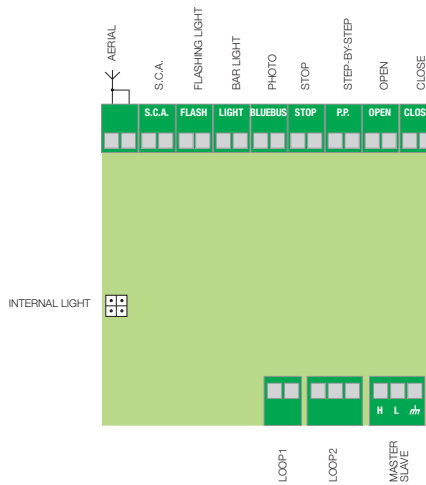
NAKED



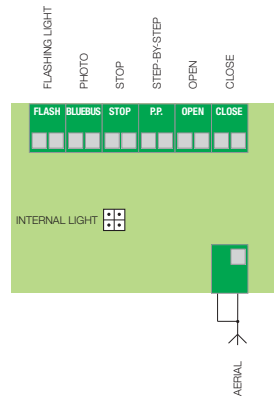
TH1551/TH2251



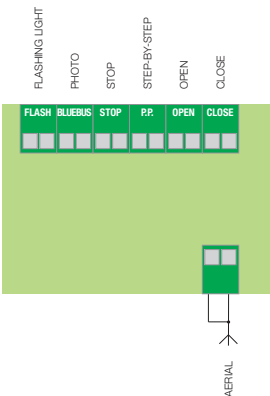
L-BAR/M-BAR



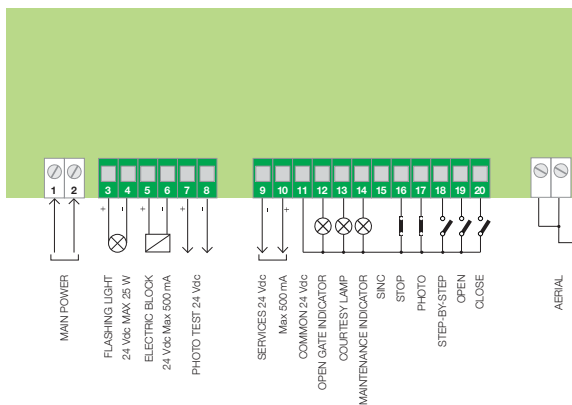
S-BAR



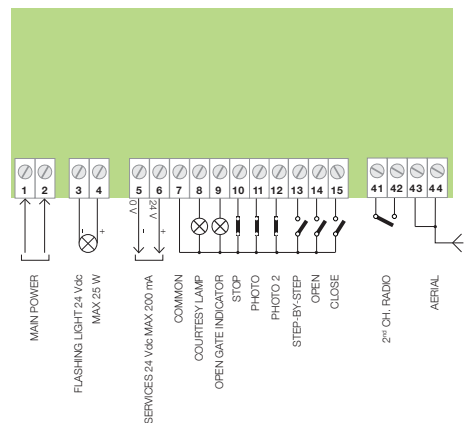
X-BAR



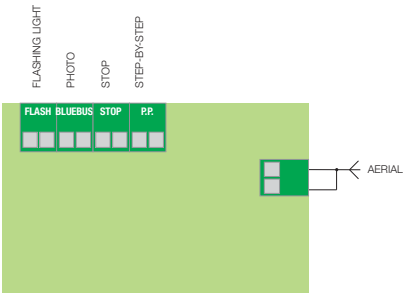
SIGNO



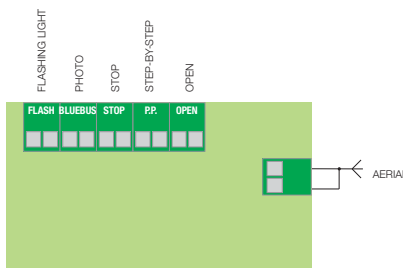
WIL



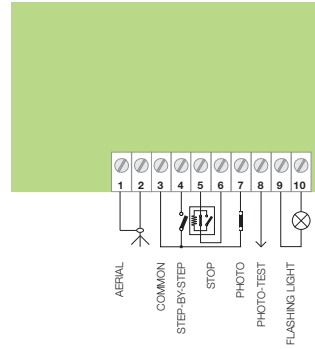
SPIN20KCE/SPIN21KCE/SPIN22KCE



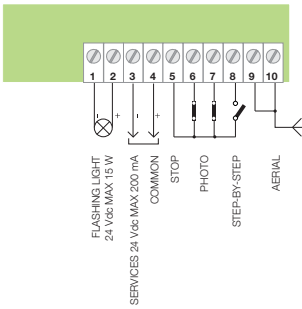
SPIN23KCE/SPIN30/SN6031/SPIN40/SN6041



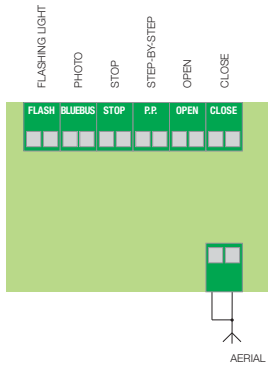
SPIN10KCE/SPIN11KCE



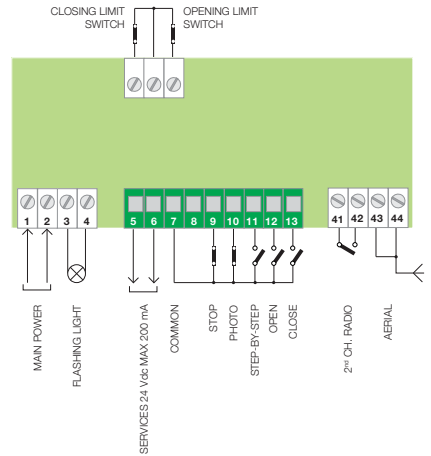
SPIDER/SPIDOKCE



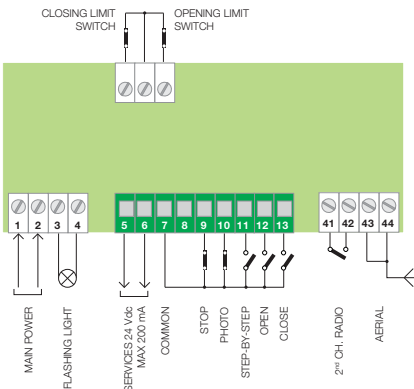
TN2010



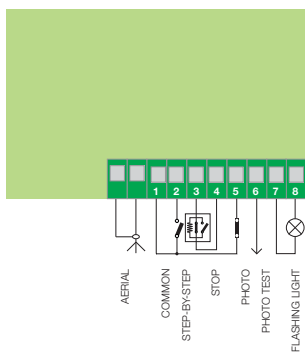
TN2030/TNKCE



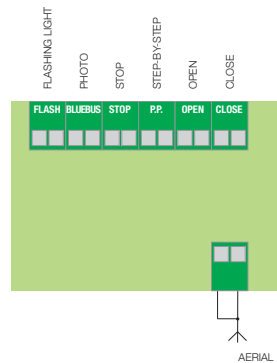
OTTO



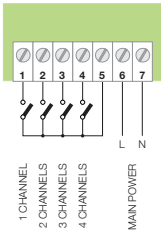
OTTO 24



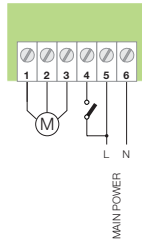
SOON



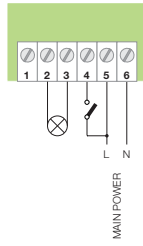
TTX4



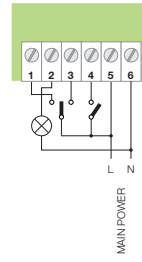
TT2N



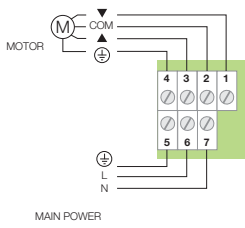
TT2L



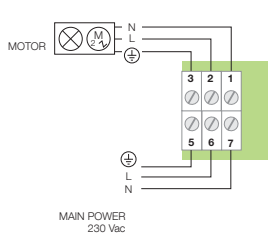
TT2D



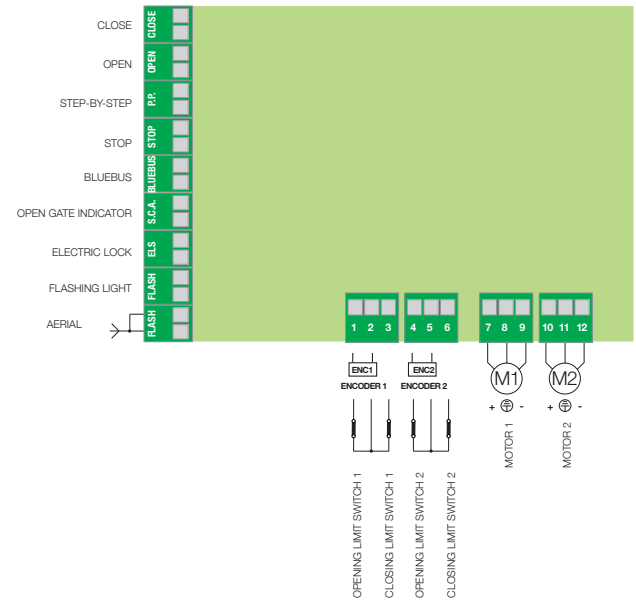
TT1N



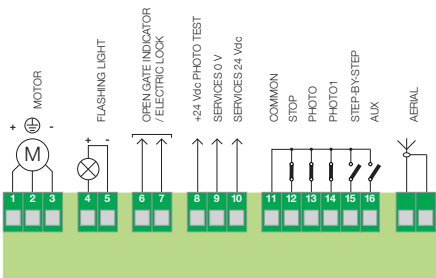
TT1L



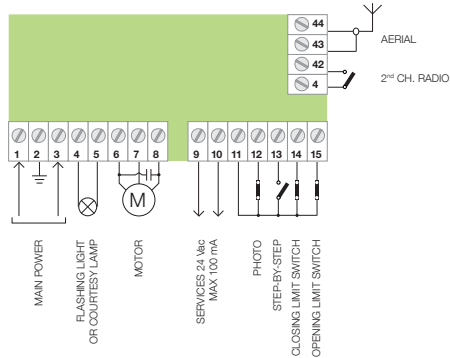
MC824H/HYKE



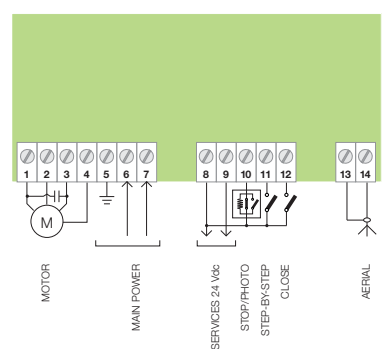
MC424L



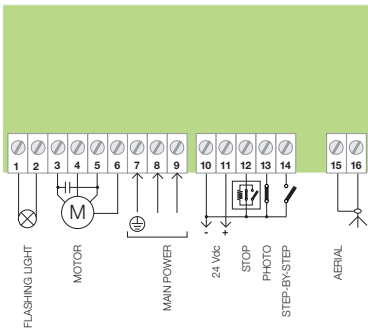
A0



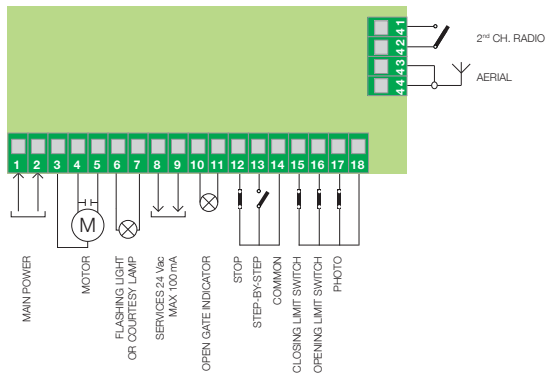
A01



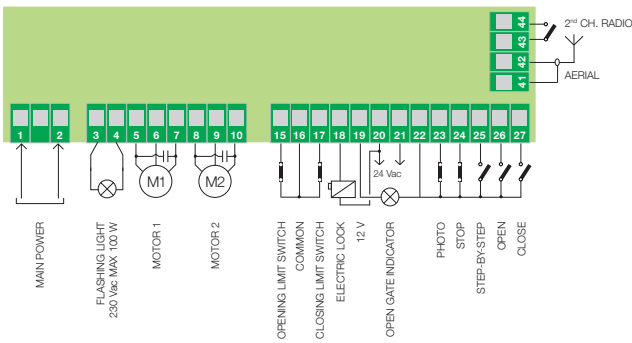
A02



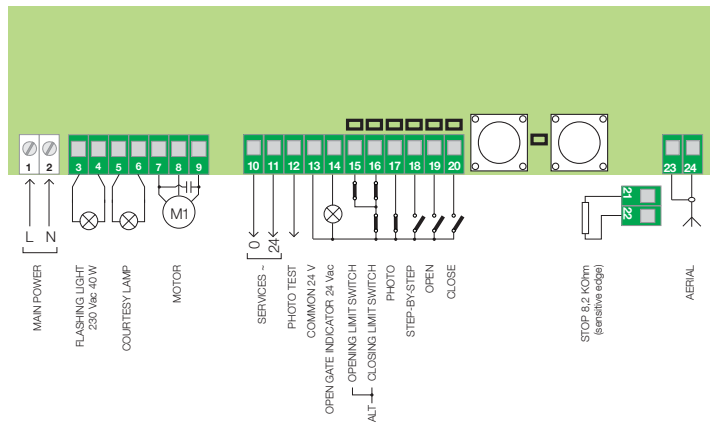
A1



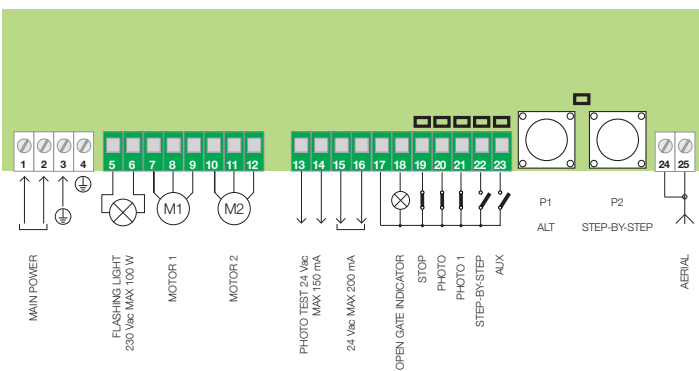
A3/A3F



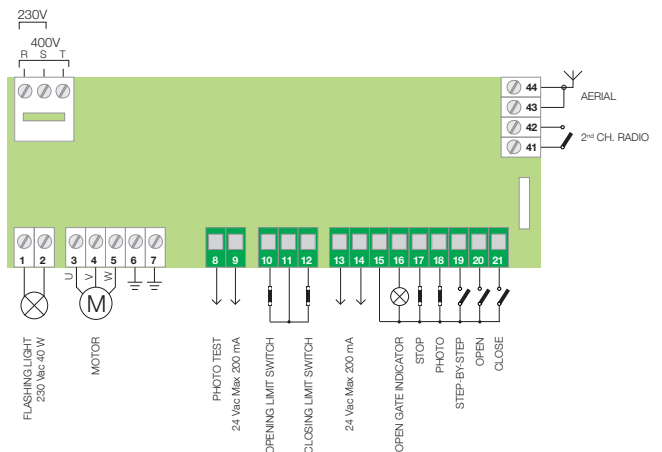
A100F



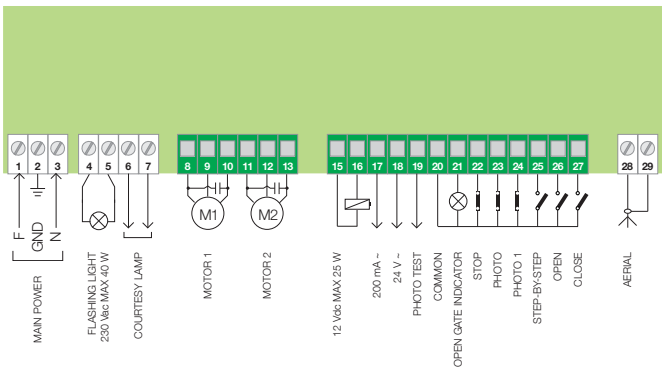
A400



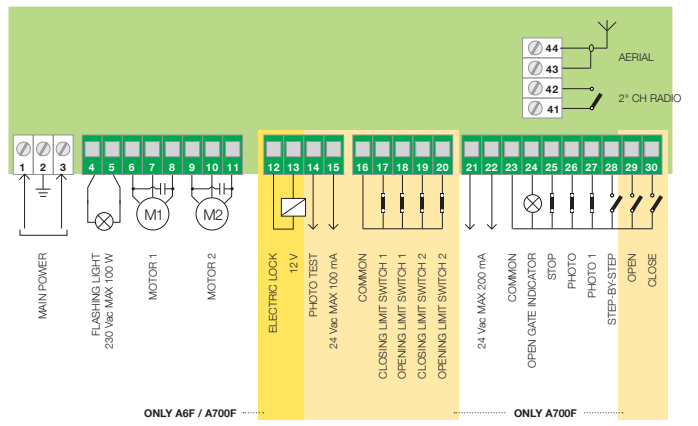
A500



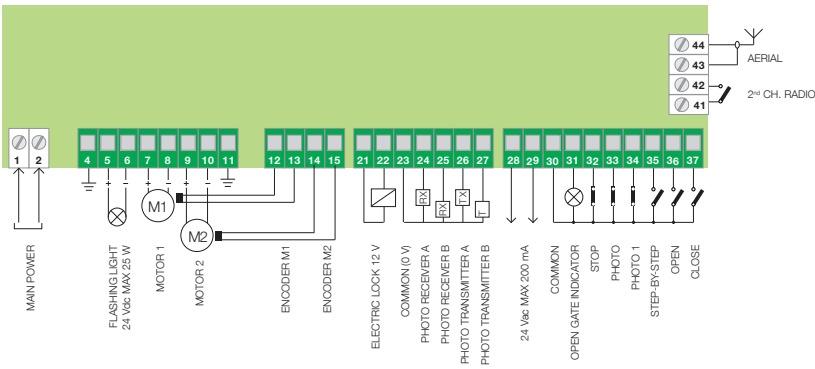
A60



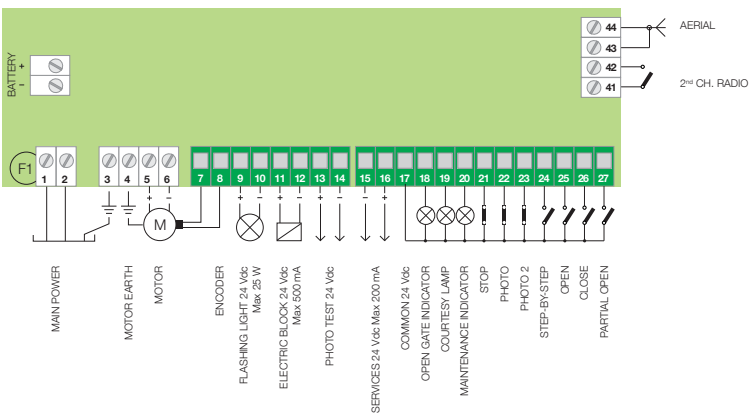
A6/A6F, A700F



A824



A924



Nice Alphabetical index

Nice product codes

Code	Product line	Price €	Page	Code	Product line	Price €	Page
A01	Mindy - Control unit	93,00	214	FA2	Electronic accessory	19,60*	191
A02	Mindy - Control unit	102,00	214	FLO1	Flo - Transmitter	33,30	178
A6F	Mindy - Control unit	213,00	216	FLO1R-S	FlorS - Transmitter	31,20	170
A60	Mindy - Control unit	222,50	216	FLO1R-SC	FlorS - Transmitter	33,60	170
A500	Mindy - Control unit	379,00	215	FLO2	Flo - Transmitter	35,00	178
A700F	Mindy - Control unit	258,50	216	FLO2R-M	FlorM - Transmitter	47,30	171
A924	Mindy - Control unit	343,00	217	FLO2R-S	FlorS - Transmitter	32,90	170
ABF	Electronic accessory	24,60	175	FLO2R-SC	FlorS - Transmitter	35,10	170
ABFKIT	Electronic accessory	20,10	175	FLO4	Flo - Transmitter	39,40	178
ALA1	Electronic accessory	39,40	153	FLO4R-M	FlorM - Transmitter	53,00	171
B3V	Electronic accessory	49,40*	175	FLO4R-S	FlorS - Transmitter	37,00	170
B3VB	Electronic accessory	116,00*	175	FLO4R-SC	FlorS - Transmitter	39,20	170
B12-B	Electronic accessory	54,50	109	FLOX1	(Flo) coding - Receiver	70,00	179
B12V-A	Electronic accessory	124,00*	175	FLOX1R	(Flo) coding - Receiver	90,00	174
B12V-C	Electronic accessory	35,90	217	FLOX2	(Flo) coding - Receiver	78,50	179
BA3-A	Electronic accessory	Spare parts price-list	133	FLOX2R	(Flo) coding - Receiver	97,50	174
BM250	Electronic accessory	153,50*	175	FLOXB2	(Flo) coding - Receiver	82,50	179
BM1000	Electronic accessory	178,50*	197	FLOXB2R	(Flo) coding - Receiver	101,50	174
BM5024	Big-Metro - Motor for swing gates	695,00	64	FLOXI	(Flo) coding - Receiver	66,50	179
BMA1	Mechanical accessory	139,50	65	FLOXI2	(Flo) coding - Receiver	74,50	179
BMBOX	Big-Metro - Foundation box	395,00	64	FLOXI2R	(Flo) coding - Receiver	95,00	174
BMBOXI	Big-Metro - Foundation box	695,00	64	FLOXIR	(Flo) coding - Receiver	86,50	174
BUPC	Programming and code control unit	614,50	64	FLOXM	(Flo) coding - Receiver	101,50	179
CABLA01	Electronic accessory	Spare parts price-list	153	FLOXM220	(Flo) coding - Receiver	119,00	179
CABLA02	Electronic accessory	Spare parts price-list	153	FLOXM220R	(Flo) coding - Receiver	149,00	174
CABLA03	Electronic accessory	Spare parts price-list	153	FLOXMR	(Flo) coding - Receiver	132,00	174
CABLA04	Electronic accessory	Spare parts price-list	153	FT210	Optical device	144,00	190
CABLA05	Electronic accessory	Spare parts price-list	153	FT210B	Optical device	128,50	190
CABLA06	Electronic accessory	Spare parts price-list	153	FTA1	Electronic accessory	43,10	191
CABLA07	Electronic accessory	Spare parts price-list	153	FTA2	Electronic accessory	22,20	191
CARICA	Electronic accessory	43,10	109	HKA1	Electronic accessory	Spare parts price-list	51
CB	Mechanical sensitive edge	512,00*	189	HK7024	Hyke - Motor for swing gates	850,50	50
CHEU	Neutral key	1,90	200	HK7224	Hyke - Motor for swing gates	612,50	50
CHS	Neutral key	1,90	200	HSB1	Electronic accessory	152,00*	198
CM-B	Mechanical accessory	Spare parts price-list	29	HYKEKCE	Hyke - Kit for swing gates	1.522,50	52
CMA 1,5MT	Mechanical sensitive edge	75,00	189	HY7005	Hyppo - Motor for swing gates	540,50	54
CMA 1,7MT	Mechanical sensitive edge	79,00	189	HY7024	Hyppo - Motor for swing gates	612,00	54
CMA 2MT	Mechanical sensitive edge	85,50	189	HY7100	Hyppo - Motor for 2-leaf folding doors	535,00	134
CMA 2,5MT	Mechanical sensitive edge	103,00	189	HY7124	Hyppo - Motor for 2-leaf folding doors	606,00	134
CMBK4	Mechanical sensitive edge	47,60	189	HYA11	Mechanical accessory	35,50	135
CMBK6	Mechanical sensitive edge	48,50	189	HYA12	Mechanical accessory	118,00	55
CRA1	Mechanical accessory	51,50	133	HO7124	Hopp - Motor for swing gates	565,00	46
CRA2	Mechanical accessory	1,90	133	HO7224	Hopp - Motor for swing gates	393,50	46
CRA3	Mechanical accessory	16,70	133	HOPPKCE	HoppKit - Kit for swing gates	1.029,00	48
CRA4	Mechanical accessory	85,50	133	IB	Mechanical accessory	98,50	194
CRA5	Mechanical accessory	122,50	133	INB	Control interface	176,50	159
CRA6	Mechanical accessory	53,50	133	KA1	Mechanical accessory	20,60	41
CRA7	Mechanical accessory	29,80	133	KIO	Selector	69,50	204
CRA8	Mechanical accessory	44,60*	131	LO5	Rack	72,00*	85
CRA9	Mechanical accessory	76,50	133	LBAR	L-Bar - Barrier gate	3.220,00	90
DBM5	Resistive sensitive edge	343,00	188	LBARI	L-Bar - Barrier gate	4.427,50	90
DBM7,5	Resistive sensitive edge	445,50	188	LP1	Electronic accessory	233,00	189
DBM10	Resistive sensitive edge	549,00	188	LP2	Electronic accessory	328,50	189
F210	Photocells	87,00	192	M3BAR	M-Bar - Barrier gate	2.430,00	92
F210B	Photocells	106,00	192	M3BARI	M-Bar - Barrier gate	3.417,00	92
FA1	Electronic accessory	17,10*	191	M5BAR	M-Bar - Barrier gate	2.430,00	92

Code	Product line	Price €	Page
M5BARI	M-Bar - Barrier gate	3.417,00	92
M7BAR	M-Bar - Barrier gate	2.580,00	92
M7BARI	M-Bar - Barrier gate	3.544,50	92
MC424L	Moonclever - Control unit	248,50	212
MC824H	Moonclever - Control unit	341,00	210
MCA1	Electronic accessory	Spare parts price-list	211
MCA2	Electronic accessory	Spare parts price-list	213
ME3000	Metroplex - Motor for swing gates	396,00	62
ME3000L	Metroplex - Motor for swing gates	411,00	62
ME3010	Metroplex - Motor for swing gates	454,00	62
ME3024	Metroplex - Motor for swing gates	396,00	62
MEA1	Mechanical Accessory	143,50	63
MEA2	Mechanical Accessory	79,50	63
MEA3	Mechanical Accessory	79,50	63
MEA5	Mechanical Accessory	36,70*	63
MEA6	Mechanical Accessory	42,70	63
MECF	Metroplex - Foundation box	179,50	62
MECX	Metroplex - Foundation box	375,00	62
ML	Flashing signal light	47,10	202
ML24	Flashing signal light	52,50	202
ML24T	Flashing signal light	52,50	202
MLB	Flashing signal light	38,60	202
MLBT	Flashing signal light	41,50	202
MLL	Flashing signal light	79,00	202
MLT	Flashing signal light	47,10	202
MOA1	Electronic accessory	68,00*	201
MOA2	Electronic accessory	51,00*	201
MOCA1	Electronic accessory	16,10	201
MOCARD	Electronic accessory	84,00*	199
MOCARDP	Electronic accessory	138,00*	199
MOCF	Electronic accessory	77,00*	191
MOCF2	Electronic accessory	108,50*	191
MOCSS	Electronic accessory	108,50*	201
MOF	Photocells	65,50	195
MOFB	Photocells	80,00	194
MOFO	Photocells	75,00	195
MOFOB	Photocells	87,00	194
MOM	Proximity reader	61,50	199
MOMB	Proximity reader	101,00	198
MORX	Electronic accessory	98,00	199
MOSA1	Electronic accessory	52,50*	200
MOSE	Selector	33,30	200
MOSEU	Selector	36,70	200
MOSI	Selector	33,30	200
MOSIU	Selector	36,70	200
MOSU	Selector	29,80	200
MOT	Selector	84,00	197
MOTB	Selector	112,00	196
MOTXR	Selector	113,00	197
MOTXS	Selector	113,00	197
MOU	Programming and code control unit	614,50	205
MXD	Electronic accessory	54,00*	175
MXP	Electronic accessory	62,50*	175
MXT	Electronic accessory	39,60*	175
NKA3	Electronic accessory	Spare parts price-list	71
NKSL400	Naked - Motor for swing gates	561,00	70

Code	Product line	Price €	Page
NSEA	Electronic accessory	383,00	188
NSEL	Electronic accessory	350,50	188
NSFB	Instrument for force impact measurement	3.193,00	188
NSFS	Instrument for force impact measurement	2.884,00	188
NSSWPDA	Software for force impact measurement	On request	188
OBOX2	Connection interface	382,00	152
OBOX2B	Connection interface	636,00	152
ON1	One - Transmitter	33,60	154
ON1C	One - Transmitter	35,80	154
ON1FM	One - Transmitter	37,50	154
ON2	One - Transmitter	35,80	154
ON2C	One - Transmitter	38,10	154
ON2FM	One - Transmitter	40,50	154
ON4	One - Transmitter	40,50	154
ON4C	One - Transmitter	42,70	154
ON4FM	One - Transmitter	45,50	154
ON9	One - Transmitter	64,00	154
ON9FM	One - Transmitter	72,00	154
OTA2	Mechanical accessory	39,40	127
OTA3	Mechanical accessory	46,90	127
OTA9	Mechanical accessory	16,60	127
OTA11	Mechanical accessory	23,50	127
OTA12	Mechanical accessory	49,70	127
OVA1	Electronic accessory	41,40	151
OVA2	Electronic accessory	22,70*	151
OVA3	Electronic accessory	16,80*	151
OVA4	Electronic accessory	99,00	151
OVBT	Electronic accessory	291,00	150
OVBTGSM	Electronic accessory	425,00	150
OVIEW	Electronic accessory	246,50	150
OX2	One - Receiver	106,50	155
OX2FM	One - Receiver	119,50	155
OX2T	One - Receiver	123,00	155
OX2TFM	One - Receiver	138,00	155
OX4T	One - Receiver	150,50	156
OXI	One - Receiver	59,50	155
OXIFM	One - Receiver	66,50	155
OXIT	One - Receiver	68,50	155
OXITFM	One - Receiver	77,00	155
PCM	Electronic accessory	58,00*	201
PIU	Electronic accessory	41,80	216
PLA6	Mechanical accessory	11,64	21
PLA8	Mechanical accessory	16,10	23
PLA10	Mechanical accessory	136,00	21
PLA11	Mechanical accessory	136,00	21
PLA13	Mechanical accessory	19,00*	21
PLA14	Mechanical accessory	29,10*	21
PLA15	Mechanical accessory	30,90*	21
PLANOTIME	Programmable timer	139,00	173
PO	Electronic accessory	5,30	109
POA1	Electronic accessory	Spare parts price-list	41
POA3	Electronic accessory	Spare parts price-list	41
POP7124KCE	PopKit - Kit for swing gates	1.060,00	44
POPKCE	PopKit - Kit for swing gates	1.035,50	42
PP7024	Pop - Motor for swing gates	546,00	40
PP7124	Pop - Motor for swing gates	582,00	40

* The price refers to the sale pack.

Nice Alphabetical index

Nice product codes

Code	Product line	Price €	Page	Code	Product line	Price €	Page
PP7224	Pop - Motor for swing gates	399,00	40	SMXIS	Smilo - Receiver	45,00	177
PS124	Electronic accessory	92,50	45	SN6031	Spinbus - Motor for sectional and up-and-over doors	439,00	118
PS224	Electronic accessory	155,50	91	SN6041	Spinbus - Motor for sectional and up-and-over doors	465,50	118
PS324	Electronic accessory	111,50	21	SNA1	Electronic accessory	Spare parts price-list	125
PS424	Electronic accessory	107,50	39	SNA2	Electronic accessory	Spare parts price-list	121
PSY24	Electronic accessory	360,00	186	SNA3	Electronic accessory	Spare parts price-list	117
PUL	Electronic accessory	91,00	133	SNA4	Electronic accessory	Spare parts price-list	117
PW1	Heating device	74,50	204	SNA16	Mechanical accessory	44,60*	117
RB400	Robus - Motor for sliding gates	525,50	72	SNA20	Electronic accessory	Spare parts price-list	123
RB400KCE	RobusKit - Kit for sliding gates	675,50	74	SNA30	Spinbus - Preassembled guide	135,00	118
RB600	Robus - Motor for sliding gates	577,50	72	SNA31	Spinbus - Extension	90,00	118
RB600KCE	RobusKit - Kit for sliding gates	724,50	76	SO2000	Soon - Motor for sectional doors	796,50	130
RB600P	Robus - Motor for sliding gates	639,00	72	SOA2	Electronic accessory	Spare parts price-list	131
RB1000	Robus - Motor for sliding gates	741,50	72	SPA2	Mechanical accessory	24,00	117
RB1000P	Robus - Motor for sliding gates	839,50	72	SPA5	Mechanical accessory	134,00	117
RBA1	Electronic accessory	79,00	73	SPA6	Mechanical accessory	12,70	117
RBA3	Electronic accessory	Spare parts price-list	73	SPA7	Mechanical accessory	12,70*	117
RBA4	Electronic accessory	Spare parts price-list	79	SPIN10KCE	SpinKit - Kit for sectional and up-and-over doors	515,00	124
RDKCE	RoadKit - Kit for sliding gates	625,50	76	SPIN11KCE	SpinKit - Kit for sectional and up-and-over doors	494,50	124
RN2010	Rondo - Motor for balanced rolling shutters	233,50	136	SPIN20KCE	SpinbusKit - Kit for sectional and up-and-over doors	527,00	120
RN2020	Rondo - Motor for balanced rolling shutters	248,50	136	SPIN21KCE	SpinbusKit - Kit for sectional and up-and-over doors	507,50	120
RN2030	Rondo - Motor for balanced rolling shutters	272,00	136	SPIN22KCE	SpinbusKit - Kit for sectional and up-and-over doors	601,50	120
RN2040	Rondo - Motor for balanced rolling shutters	285,50	136	SPIN23KCE	SpinbusKit - Kit for sectional and up-and-over doors	537,00	122
RNA01	Electronic accessory	48,00	137	SPIN30	Spinbus - Motor for sectional and up-and-over doors	533,50	116
ROA6	Rack	190,00*	71	SPIN40	Spinbus - Motor for sectional and up-and-over doors	599,50	116
ROA7	Rack	209,50*	71	SU2000	Sumo - Motor for sectional doors	682,50	132
ROA8	Rack	226,00*	71	SU2000V	Sumo - Motor for sectional doors	698,00	132
ROA81	Rack	48,00	81	SU2000VV	Sumo - Motor for sectional doors	698,00	132
RUA1	Electronic accessory	Spare parts price-list	83	SU2010	Sumo - Motor for sectional doors	862,50	132
RUA2	Electronic accessory	Spare parts price-list	83	SYA1	Electronic accessory	107,00	187
RUA3	Electronic accessory	Spare parts price-list	83	SYKCE	Solemyo - Solar power kit	558,00	186
RUA12	Mechanical Accessory	46,60	81	SYP	Solemyo - Photovoltaic solar panel	211,50	186
RUN1500	Run - Motor for sliding gates	957,50	80	SYP30	Solemyo - Photovoltaic solar panel	295,00	186
RUN1500P	Run - Motor for sliding gates	1.030,00	80	TCA65	Resistive sensitive edge	53,50*	188
RUN1800	Run - Motor for sliding gates	919,00	82	TCB65	Resistive sensitive edge	606,50	188
RUN1800P	Run - Motor for sliding gates	988,50	82	TCBS60	Mechanical sensitive edge	347,50	189
RUN2500	Run - Motor for sliding gates	1.019,50	82	TCE	Resistive sensitive edge	69,50	188
RUN2500I	Run - Motor for sliding gates	1.229,00	82	TCF	Resistive sensitive edge	202,50	188
RUN2500P	Run - Motor for sliding gates	1.096,00	82	TCK	Resistive sensitive edge	544,50	188
SBAR	S-Bar - Barrier gate	1.360,00	96	TMF	Electronic accessory	111,50	117
SBARI	S-Bar - Barrier gate	2.049,00	96	TN2010	Ten - Motor for up-and-over doors	730,00	126
SIA1	Mechanical Accessory	59,50	97	TN2010L	Ten - Motor for up-and-over doors	730,00	126
SIA2	Mechanical Accessory	72,00	105	TN2020	Ten - Motor for up-and-over doors	421,50	126
SIA3	Mechanical Accessory	75,00	104	TN2020L	Ten - Motor for up-and-over doors	421,50	126
SIA20	Electronic accessory	Spare parts price-list	105	TN2030	Ten - Motor for up-and-over doors	616,00	126
SIGNO3	Signo - Barrier gate	1.918,50	102	TN2030L	Ten - Motor for up-and-over doors	616,00	126
SIGNO3I	Signo - Barrier gate	2.720,50	102	TNA1	Electronic accessory	Spare parts price-list	127
SIGNO4	Signo - Barrier gate	1.553,50	102	TNA2	Electronic accessory	Spare parts price-list	127
SIGNO4I	Signo - Barrier gate	2.193,00	102	TNA4	Mechanical accessory	34,80	127
SIGNO6	Signo - Barrier gate	1.877,50	102	TNA5	Mechanical accessory	67,50	127
SIGNO6I	Signo - Barrier gate	2.672,00	102	TNA6	Mechanical accessory	79,00	127
SM2	Smilo - Transmitter	70,00*	176	TNA8	Mechanical accessory	6,90	127
SM4	Smilo - Transmitter	79,50*	176	TNA9	Electronic accessory	9,30	127
SMX2	Smilo - Receiver	89,50	177	TNA38	Mechanical accessory	28,60	127
SMX2R	(Flo) coding - Receiver	97,50	174	TNKCE	TenKit - Kit for up-and-over doors	370,00	128
SMXI	(Flo) coding - Receiver	45,00	174	TNLKCE	TenKit - Kit for up-and-over doors	650,00	128

Code	Product line	Price €	Page
TO4005	Toona - Motor for swing gates	370,00	20
TO4006	Toona - Motor for swing gates	396,50	20
TO4015	Toona - Motor for swing gates	370,00	20
TO4024	Toona - Motor for swing gates	369,50	20
TO4605	Toona - Motor for swing gates	389,00	20
TO5015	Toona - Motor for swing gates	396,50	22
TO5016	Toona - Motor for swing gates	423,50	22
TO5024	Toona - Motor for swing gates	403,00	22
TO5024I	Toona - Motor for swing gates	503,00	22
TO5605	Toona - Motor for swing gates	420,00	22
TO7024	Toona - Motor for swing gates	726,50	24
TOONA4024KCE	ToonaKit - Kit for swing gates	1.196,00	26
TS	Mechanical accessory	3,00	21
TT1L	Tag - Control unit	99,00	169
TT1N	Tag - Control unit	89,50	169
TT2D	Tag - Control unit	110,50	168
TT2L	Tag - Control unit	105,00	168
TT2N	Tag - Control unit	94,50	168
TTX4	Tag - Transmitter	106,00	167
TUB3500	Tub - Motor for sliding gates	2.583,00	84
TW1	Heating device	79,00	204
VE	VeryVE - Transmitter	37,00	178
VR	VeryVR - Transmitter	37,00	172
WA1	Mechanical accessory	98,50	106
WA2	Mechanical accessory	59,50	104
WA3	Mechanical accessory	137,00	104
WA4	Mechanical accessory	49,70	104
WA6	Mechanical accessory	85,50	104
WA7	Mechanical accessory	203,50	104
WA8	Mechanical accessory	54,00	105
WA9	Electronic accessory	127,00*	105
WA10	Mechanical accessory	30,90*	91
WA11	Mechanical accessory	96,50	91
WA12	Mechanical accessory	155,00	91
WA13	Mechanical accessory	102,00	91
WA14	Mechanical accessory	195,00	104
WA15	Mechanical accessory	59,50	106
WA16	Mechanical accessory	71,50	108
WA20	Electronic accessory	Spare parts price-list	109
WA21	Mechanical accessory	232,00	104
WA22	Mechanical accessory	259,00*	104
WA24	Mechanical accessory	1.000,50	104
WA25	Mechanical accessory	128,50	104
WALKY1024KCE	WalkyKit - Kit for swing gates	562,50	36
WALKY2024KCE	WalkyKit - Kit for swing gates	907,50	38
WAX	NiceWay - Support	6,00	163
WCF	NiceWay - Support	4,80	165
WCG	NiceWay - Support	4,80	165
WCI	NiceWay - Support	4,80	165
WCO	NiceWay - Support	4,80	165
WEO	NiceWay - Support	17,60	162
WET	NiceWay - Support	17,60	162
WEW	NiceWay - Support	17,60	162
WIL4	Wil - Barrier gate	1.398,00	106
WIL4I	Wil - Barrier gate	1.983,00	106
WIL6	Wil - Barrier gate	1.702,00	106

Code	Product line	Price €	Page
WIL6I	Wil - Barrier gate	2.342,50	106
WINGO4024KCE	WingoKit - Kit for swing gates	941,50	30
WINGO5024KCE	WingoKit - Kit for swing gates	1.125,00	34
WINGO5KCE	WingoKit - Kit for swing gates	1.125,00	32
WINGOKCE	WingoKit - Kit for swing gates	942,00	28
WLA1	Electronic accessory	Spare parts price-list	37
WLT	Multifunction indicator light	42,70	203
WM001C	NiceWay - Transmitter module	24,90	161
WM001G	NiceWay - Transmitter module	40,00	161
WM002G	NiceWay - Transmitter module	49,10	161
WM003C	NiceWay - Transmitter module	40,50	161
WM003C1G	NiceWay - Transmitter module	49,60	161
WM003G	NiceWay - Transmitter module	58,50	161
WM004G	NiceWay - Transmitter module	65,50	161
WM006G	NiceWay - Transmitter module	58,50	161
WM009C	NiceWay - Transmitter module	59,00	161
WM080G	NiceWay - Transmitter module	111,00	161
WM240C	NiceWay - Transmitter module	112,00	161
WRA	NiceWay - Support	7,20	164
WRB	NiceWay - Support	6,50	164
WRG	NiceWay - Support	7,20	164
WRS	NiceWay - Support	7,20	164
WRT	NiceWay - Support	7,20	164
WRW	NiceWay - Support	6,50	164
WSA	NiceWay - Support	6,00	164
WSB	NiceWay - Support	5,50	164
WSG	NiceWay - Support	6,00	164
WSS	NiceWay - Support	6,00	164
WST	NiceWay - Support	6,00	164
WSW	NiceWay - Support	5,50	164
WWW	NiceWay - Support	4,80	163
XBA2	Electronic accessory	Spare parts price-list	101
XBA4	Electronic accessory	75,00	101
XBA5	Mechanical accessory	212,00	91
XBA6	Electronic accessory	100,00	95
XBA7	Electronic accessory	150,00	91
XBA8	Electronic accessory	150,00	91
XBA9	Mechanical accessory	60,00	91
XBA10	Mechanical accessory	220,00	94
XBA11	Mechanical accessory	281,00	94
XBA13	Mechanical accessory	69,00*	91
XBA14	Mechanical accessory	168,00	91
XBA15	Mechanical accessory	142,00	91
XBA16	Mechanical accessory	108,00	94
XBA17	Mechanical accessory	118,00	91
XBA18	Electronic accessory	140,00	91
XBA19	Mechanical accessory	109,00	97
X-BAR	X-Bar - Barrier gate	1.229,50	100
XMBOX	X-Metro - Foundation box	154,50	56
XME2024	X-Metro - Motor for swing gates	377,50	56
XME2124	X-Metro - Motor for swing gates	390,50	56
XMETRO2024KCE	X-MetroKit - Kit for swing gates	1.365,50	58
XMETRO2124KCE	X-MetroKit - Kit for swing gates	1.480,50	60

Nice General sale conditions

1. Effectiveness of these general sale conditions

These General Sale Conditions will replace all previous conditions and are applicable to all orders submitted to Nice S.p.A. (hereinafter referred to as Nice) for products carrying either the Nice trademark or any other trademark belonging to Nice.

All sales of goods by Nice to its Customers (hereinafter referred to as Customer) shall be governed by the following General Sale Conditions, which shall constitute an integral part of any agreement for the sale of goods between Nice and the Customer, and shall supersede and cancel any inconsistent covenant or provision contained in the order or other document issued by the Customer. Illustrations and descriptions contained in Nice catalogues and other printed materials are for the sole purpose of identification, and may be modified by Nice at any time without prior notice.

2. Orders

Any orders shall be deemed as issued "subject to availability of the goods and any alteration of the price lists". Nice reserves the right to accept or reject, in whole or in part, any order submitted by the Customer, on account of their compliance with these General Conditions, and of the availability of the goods ordered. Nice reserves the right to change/modify the technical characteristics of its products at any time and without prior notice or liability. Orders placed by the Customer cannot be cancelled by the Customer, either wholly or partially, after ten days of being submitted to Nice; if any orders are cancelled after such term, Nice shall be entitled to payment of the whole price.

3. Prices

The goods shall be sold by Nice to the Customer at the prices set out in the Nice price list effective at the time of delivery. The Customer shall unconditionally accept any variation of the price list made between the time of the order and the time of delivery. Any new Nice price list cancels and supersedes the previous ones. All prices in the Nice price list are 'ex factory' and before tax.

4. Delivery Terms

- All goods shall be delivered "ex factory", Nice S.p.A., Rustignè di Oderzo (Treviso).
- Except where agreed in writing between Nice and the Customer, the goods shall be delivered no later than 30 days after acceptance by Nice of the Customer's order.
- In case of delay not exceeding customary allowances, the Customer shall not be entitled to claim for termination, in whole or in part, of the agreement, or to refuse to accept delivery of the goods, or to claim compensation for damages.
- The obligation to deliver the goods shall be fulfilled upon delivery of the goods to the carrier.
- Nice shall be released from the obligation to deliver the goods in any event of "Act of God" or "force majeure", strikes, unavailability of raw materials or other products, and any other event preventing Nice from delivering the goods, for which Nice is not responsible.

5. Shipments

- The goods shall be shipped on such carrier(s) as Nice may select, and Nice shall charge the relevant amount to the Customer including it in the relevant invoice. The Customer may agree with Nice, at the time of the order, to use a different carrier (always at the Customer's costs), or to collect the goods directly ex-factory Nice S.p.A., Rustignè di Oderzo (Treviso).
- All risks shall pass to the Customer at the time of delivery. Thefts, losses, damages, shortfalls shall not release the Customer from the obligation to pay the price, if the goods have been duly delivered to the carrier at the Nice factory.
- The goods shall not be covered by insurance, unless expressly required by the Customer and at Customer's cost and risk.

6. Collection of the goods

The Customer shall properly collect the goods as soon as they are put at the Customer's disposal. In case of delay, Nice shall be entitled to full payment of the price and reimbursement for any cost of storage and custody of the goods, saving any compensation for damages.

Nice shall not be liable in respect of any damage resulting directly or indirectly from the storage of any goods not collected when available at the Nice warehouses or at the warehouses of the carrier, forwarding agent or third parties.

7. Warranty

All items included in the Nice product listing are carefully checked and tested before delivery. Nice guarantees its products both those registered as Nice and any other trademark belonging to Nice, against defects in workmanship and materials, according to the installation and operating limits and conditions specified by Nice.

- The warranty is effective for:
 - a) a period of 30 months from the date of manufacture indicated on all products carrying the Nice trademark or any other trademark belonging to Nice, with the exception of the products listed in point b) and c)
 - b) 5 years from the date of manufacture indicated on all products for tubular gearmotors with mechanical stops, without incorporated receivers, and relative accessories (adapters and supports), carrying the Nice trademark only.
 - c) 3 years from the date of manufacture indicated on each product of the Nice Home System line (wireless alarm systems), exclusively for products bearing the Nice label, and not including any other own label products.

This warranty does not cover any of the other trademarks belonging to Nice. This period of coverage shall not be extended under any circumstances, including exercise by the Customer of the right of recourse against Nice under Article 1519 quinquies of the Civil Code. For non-EU countries the warranty depends on the local laws or on the agreements between Nice and the official local importers.

- Any product that is determined by Nice to be defective in material or workmanship shall be, as the exclusive remedy, repaired or replaced, at Nice's option. This warranty does not cover any consequential or incidental damages or other expenses incurred by the Customer. All products that have been replaced shall in any event remain the property of Nice. Nice shall not be liable for defects or damage resulting from or connected with improper installation of the products supplied.

It is necessary that the installation complies with any applicable safety regulation in force and a technical knowledge for correct installation of the product is always required.

- Nice shall not be held responsible for defects resulting from connection, combination or interaction of its products with other products not supplied by Nice. Nice products can only be used in combination with other Nice products, failing which this warranty will cease to be effective.

- Nice disclaims all liability for defects or damage resulting from failure to comply with its assembly and wiring instructions, or with any electrical codes or other regulations locally in force at the time of installation. Moreover, the Manufacturer disclaims all responsibility for defects or damage resulting from improper installation, use or connection of any accessories and/or electrical or mechanic components manufactured by Nice, including failure to comply with the diagrams and types of connections for which these products have specifically been designed, as well as for the use or application of these products for purposes other than those for which they are intended, in compliance with their specific capacity and range.

For products no longer covered by this warranty Nice shall provide repair services, charging the related costs to the Customer. In case of products that cannot be repaired, Nice shall, at its sole discretion, replace them, charging all related costs to the Customer.

8. Claims and Liability for Detective Products

- Any claims for defects in workmanship or materials that are apparent from an external examination of the packages containing the goods must be submitted in writing by the purchaser upon receipt of the goods and appended to the delivery documents. Failure to comply with this provision shall result in forfeiture of the warranty coverage.

Any claims for other defects in workmanship or materials that are not apparent from an external examination of the packages shall be forfeited unless notice is forwarded to Nice by registered mail within 60 days from receipt of goods.

- The Customer may not return any goods unless with the previous written consent of Nice. Nice shall have no other liability depending on, or in connection with defective goods and, in particular, it shall not be liable for injury or damages to persons or property resulting from the sale or use of the goods or for any other actual damage or loss of profit, directly or consequentially suffered by the customer or any third party. The Customer shall not be entitled to delay or suspend any payment on the ground of any claim with respect to the goods or of any alleged break of warranty.

9. Retention of Title

- Notwithstanding any other provision contained herein, it is acknowledged and agreed that title to the goods shall pass to the Customer only upon full payment of the relevant price; therefore until full payment (including interest) is received by Nice, the goods delivered - wherever they may be held and even if they have already been resold by the Customer - shall remain the sole and exclusive property of Nice.

- Any cheques, bills of exchange and transfer of credit will count as payment only upon collection. In the event of non-payment, Nice shall be entitled to immediate repossession of sold products wherever they may be located. The Customer shall disclose the names of any third purchasers of the products, from whom Nice shall be entitled to claim and collect them.

10. Terms of Payment

- All payment shall be made exclusively to Nice, and in the manner and on the terms stated in the invoice.

- **DEFAULT INTEREST:** in the event of any total or partial delay in payment, Nice shall be entitled to interest on the outstanding amount, as provided for by Legislative Decree no. 231 dated 9th October 2002, as per EC Directive no. 2000/35/CE, and, in any event, the highest rate permitted by applicable law, with no need of any notice or filing of claim for payment.

- **TERMINATION AND SUSPENSION OF PERFORMANCE:** if for any reason the Customer delays payment of one single agreed instalment or term, Nice shall be entitled to suspend, at any time, without notice, the fulfilment/delivery of the order and/or, at its sole discretion, to treat any agreement with the Customer as totally terminated, including any agreements not connected with the one for which the payment obligation remained unfulfilled, without the Customer being entitled to indemnity or compensation.

In case of delay by the Customer in making any payment to Nice, Nice may also consider the Customer to have forfeited the benefit of the term for any following payment and make any further delivery subject to full payment in advance of any and all amounts due by the Customer (including interest), and request the extension of adequate security.

Nice shall have the same right in the event of any changes in the identity of the Customer, its structure or company organisation, the nature and the extent of its assets, as well as in the event of protests, executory proceedings pending, the issue of Court orders for payment, or in the event of any injunction, difficulty or delay in the discharge of its obligations, including those towards third parties.

NO SETOFF: The Customer shall have no right to claim the setoff of any sums whatsoever owed by Nice to the Customer, with any amount due to the Customer by Nice, for any reason deriving from, relating to, or otherwise in connection with the sale agreement.

11. Patents, trademarks and distinctive marks

The Customer is aware of the fact that Nice products are covered by patents and subjected to both the know-how and design which are the exclusive industrial property of Nice. Customers shall not violate the rights of Nice by removing, covering or in any way changing trademarks, distinctive marks or labels and the like attached to products and shall not apply thereon new trademarks, distinctive marks or labels and the like of any kind. Unless written authority is given by Nice to the contrary, any form of reproduction or use by the Customer of the Nice trademark or any other marks, logos, emblems, symbols and the like attached to or applied on the products is forbidden.

12. Cancellation Clause

If the customer fails to pay the full price of the goods, Nice shall be entitled to cancel the sale at any moment by simply forwarding a written notice of cancellation to the Customer without recourse to judicial procedures. Any goods delivered and unpaid for shall be returned to Nice at Customer's expense. To this end, Nice and any appointed carriers shall be authorized to cancel the sale and collect any unpaid for goods from the Customer's premises.

13. Approvals

All Nice products carry the necessary data for identification of approvals obtained. Knowledge and observance of any applicable rules relating to the use of radio controls and other equipment shall be the exclusive responsibility of the fitter and/or user.

14. Italian Law and Competent Court

The interpretation and resolution of disputes arising under these General Conditions and the enforcement thereof, shall be governed by Italian law and referred to the Italian Judges at the Court of Treviso.

“Nice has suggested a new interpretation of the connection between people and their domestic environment marked by the utmost simplicity, clearness and aesthetic quality. Boring and complicated operations become smooth and amusing and change into activities that satisfy end-users...”

from Il Sole 24 Ore - Speciale Nova,
by Marco Bettiol and Stefano Micelli,
1st February 2007

Nice is “harmonious and innovative design, correct from a functional point of view and easily suitable to different buildings or architectural environments”

from ADI Design Index, 2000

“We believe in the diversity of ideas which give birth to innovation”

Lauro Buoro
Chairman of Nice S.p.A.

Nice SpA

Oderzo TV Italia
Ph. +39.0422.85.38.38
Fax +39.0422.85.35.85
info@niceforyou.com

Find out more about Nice
products and services on the website:

www.niceforyou.com



Home Automation